

## Notice

---



All information contained in this manual is based on the latest product information at the time of publication. Bajaj Auto Limited accepts no liability for any inaccuracies or omissions in this publication, although every possible care has been taken to make it as complete and accurate as possible. All procedures and specifications subject to change without prior notice. The right is reserved to make such changes at any time without prior notice and without incurring an obligation to make such changes to product manufactured previously. Contact your authorized Bajaj Dealer for the latest information on product improvements incorporated after this manual was issued.

**DOC. NO.: 71110778**

**REV. 08 OCT 14**

---

## Revision No. &amp; Change Details



| REV. NO.  | PART NUMBER | SHORT DESCRIPTION          | QTY. | PAGE NO. | SR. NO. | A: Add<br>D: Delete<br>C: Change | REFERENCE              |
|-----------|-------------|----------------------------|------|----------|---------|----------------------------------|------------------------|
| 03 APR 13 | 36 DH40 50  | Kit Asly Cyl Head & Cover  | 1    | 2        | 1       | C                                | C-40 dated 22/03/2012  |
|           | 36 DH40 50  | Kit Asly Cyl Head & Cover  | 1    | 4        | 1       | C                                | C-40 dated 22/03/2012  |
|           | DK 1017 48  | Rocker Arm Shaft-Intake    | 1    | 6        | 1       | A                                | C-40 dated 22/03/2012  |
|           | DK 1017 51  | Rocker Arm Shaft-Exhaust   | 1    | 6        | 2       | A                                | C-40 dated 22/03/2012  |
|           | DK 1017 55  | Rocker Arm With Roller     | 2    | 6        | 3       | A                                | C-40 dated 22/03/2012  |
|           | DK 1013 26  | Valve Repair Kit           | 1    | 6        | 6       | A                                | C-40 dated 22/03/2012  |
|           | DH 1012 95  | Wave Washer                | 2    | 6        | 8       | A                                | C-40 dated 22/03/2012  |
|           | 39 2440 11  | Plain Washer               | 4    | 6        | 9       | A                                | C-40 dated 22/03/2012  |
|           | DH 2010 85  | Wiring Harness             | 1    | 102      | 5       | A                                | C-41 dated 10/08/2012  |
|           | 60 1114 15  | Cable Tie Lock             | 1    | 102      | 23      | A                                | C-41 dated 10/08/2012  |
|           | DH 1021 04  | Assly. Balancer Idler Gear | 1    | 14       | 4       | A                                | F-29 dated 31/10/2012  |
|           | 59 2000 28  | Bearing                    | 1    | 14       | 12      | A                                | F-29 dated 31/10/2012  |
|           | 36 DJ40 32  | Kit Minor Cal & Grease     | 1    | 68       | 9       | A                                | F-31 dated 03/12/2013  |
|           | 36 DK00 65  | Kit Minor Caliper+Grease   | 1    | 68       | 9       | A                                | F-31 dated 03/12/2013  |
|           | 36 DJ40 33  | Kit Mijor Cal & Grease     | 1    | 68       | 10      | A                                | F-31 dated 03/12/2013  |
|           | 36 DK00 66  | Kit Minor Caliper+Grease   | 1    | 68       | 10      | A                                | F-31 dated 03/12/2013  |
|           | DK 1017 32  | Drum Comp. Gear Shift      | 1    | 18       | 5       | A                                | C-42 dated 17/12/2012  |
|           | DK 1017 33  | Lever Comp. Gear Shifter   | 1    | 20       | 1       | A                                | C-42 dated 17/12/2012  |
|           | DK 1017 22  | Spring Gear Shifter Return | 1    | 20       | 3       | A                                | C-42 dated 17/12/2012  |
|           | DH 1013 97  | Lever Comp. Change         | 1    | 20       | 4       | A                                | C-42 dated 17/12/2012  |
|           | DK 1017 25  | Stopper Gear Shifter Drum  | 1    | 20       | 8       | A                                | C-42 dated 17/12/2012  |
|           | 30 1511 05  | Shoe Brake Assly           | 1    | 70       | 6       | C                                | Alternate for 30151068 |
| 4 SEPT 13 | JC 2010 16  | Body Control Unit          | 1    | 102      | 13      | D                                | C-43 dated 17/08/2013  |
|           | DJ 2011 81  | Magnet assly               | 1    | 98       | 8       | D                                | C-43 dated 17/08/2013  |
|           | 36 DH40 47  | Kill Hall Sensor           | 1    | 98       | 8       | D                                | C-43 dated 17/08/2013  |
|           | AL 2010 12  | Kill Switch Relay          | 1    | 102      | 15      | D                                | C-43 dated 17/08/2013  |
|           | DJ 2010 28  | Kill Switch Relay          | 1    | 102      | 15      | D                                | C-43 dated 17/08/2013  |

## Revision No. &amp; Change Details



| REV. NO.  | PART NUMBER | SHORT DESCRIPTION           | QTY. | PAGE NO. | SR. NO. | A: Add<br>D: Delete<br>C: Change | REFERENCE             |
|-----------|-------------|-----------------------------|------|----------|---------|----------------------------------|-----------------------|
|           | JF 4014 00  | Control Switch LH           | 1    | 76 5     | C       | C                                | C-43 dated 17/08/2013 |
|           | JF 4014 01  | Control Switch RH           | 1    | 76       | 6       | A                                | C-43 dated 17/08/2013 |
|           | DH 1910 65  | Speedometer                 | 1    | 90       | 1       | C                                | C-43 dated 17/08/2013 |
|           | DH 2010 86  | Wiring Harness              | 1    | 102      | 5       | C                                | C-43 dated 17/08/2013 |
|           | DJ 2012 01  | Wiring Harness              | 1    | 102      | 5       | C                                | Old                   |
|           | DJ 2011 25  | Battery 9 (Ah)              | 1    | 102      | 9       | D                                | Old                   |
|           | DJ 1612 47  | Battery Band                | 1    | 102      | 10      | D                                | Old                   |
|           | DH 2010 73  | Horn                        | 1    | 102      | 1       | D                                | Old                   |
|           | DH 2010 74  | Horn RH                     | 1    | 102      | 2       | D                                | Old                   |
|           | DJ 1610 06  | Pad I                       | 2    | 102      | 20      | D                                | Old                   |
|           | 52 DH07 67  | Kit Leg Guard               | 1    | 106      | 1       | C                                | C-44 dated 23/08/2013 |
|           | DH 1614 16  | Side cover lock bracket     | 1    | 36       | 9       | A                                | F-37 dated 17/08/2013 |
|           | DH 2010 81  | Cable speedometer           | 1    | 92       | 2       | C                                | F-36 dated 07/06/2013 |
|           | DH 2010 81  | Case meter assly.           | 1    | 91       | 5       | A                                | F-36 dated 07/06/2013 |
|           | DH 2010 79  | Case meter assly with cable | 1    | 92       | 6       | A                                | F-36 dated 07/06/2013 |
| 05 JAN 14 | DH 1021 04  | Assly. Balancer Idler Gear  | 1    | 14       | 4       | D                                | Wrong Illustration    |
|           | DH 1021 04  | Body Balancer Assly.        | 1    | 14       | 1       | A                                |                       |
| 06 MAY 14 | 52 DH08 43  | P Tank M PI Silver Dcl      | 1    | 86       | 1       | A                                | F-41 Dated 29-04-2014 |
|           | 52 DJ05 46  | P Tank M S Blue Dcl         | 1    | 86       | 1       | A                                | F-41 Dated 29-04-2014 |
|           | 52 DJ05 45  | P Tank M W Red Dcl          | 1    | 86       | 1       | A                                | F-41 Dated 29-04-2014 |
|           | 52 DH08 10  | Fairing K1 +Dcl PI Silver   | 1    | 86       | 2       | A                                | F-41 Dated 29-04-2014 |
|           | 52 DJ05 17  | Fairing Black+Saf Blue Dcl  | 1    | 86       | 2       | A                                | F-41 Dated 29-04-2014 |
|           | 52 DJ05 19  | Fairing Black+W Red Dcl     | 1    | 86       | 2       | A                                | F-41 Dated 29-04-2014 |
|           | 52 DH08 13  | Flap LH PI Silver Dcl       | 1    | 86       | 3       | A                                | F-41 Dated 29-04-2014 |
|           | 52 DH08 11  | Flap LH S Blue Dcl          | 1    | 86       | 3       | A                                | F-41 Dated 29-04-2014 |
|           | 52 DH08 15  | Flap LH W Red Dcl           | 1    | 86       | 3       | A                                | F-41 Dated 29-04-2014 |
|           | 52 DH08 14  | Flap RH PI Silver Dcl       | 1    | 86       | 4       | A                                | F-41 Dated 29-04-2014 |
|           | 52 DH08 12  | Flap RH S Blue Dcl          | 1    | 86       | 4       | A                                | F-41 Dated 29-04-2014 |

# Revision No. & Change Details



| REV. NO. | PART NUMBER | SHORT DESCRIPTION           | QTY. | PAGE NO. | SR. NO. | A: Add<br>D: Delete<br>C: Change | REFERENCE             |
|----------|-------------|-----------------------------|------|----------|---------|----------------------------------|-----------------------|
|          | 52 DH08 16  | Flap RH W Red Dcl           | 1    | 86       | 4       | A                                | F-41 Dated 29-04-2014 |
|          | 52 DH08 21  | K1 Front Fender Pl Silver   | 1    | 86       | 5       | A                                | F-41 Dated 29-04-2014 |
|          | 52 DJ05 20  | Fr. Fender Assly S Blue     | 1    | 86       | 5       | A                                | F-41 Dated 29-04-2014 |
|          | 52 DJ05 22  | Fr. Fender Assly W Red      | 1    | 86       | 5       | A                                | F-41 Dated 29-04-2014 |
|          | 52 DH08 23  | S Cover LH+Dcl Pl Silver    | 1    | 86       | 6       | A                                | F-41 Dated 29-04-2014 |
|          | 52 DH08 20  | Cover Side LH S Blue        | 1    | 86       | 6       | A                                | F-41 Dated 29-04-2014 |
|          | 52 DH08 22  | Cover Side LH Wine Red      | 1    | 86       | 6       | A                                | F-41 Dated 29-04-2014 |
|          | 52 DH08 24  | S Cover RH+Dcl Pl Silver    | 1    | 86       | 7       | A                                | F-41 Dated 29-04-2014 |
|          | 52 DJ05 33  | Cover Side RH S Blue        | 1    | 86       | 7       | A                                | F-41 Dated 29-04-2014 |
|          | 52 DJ05 37  | Cover Side RH W Red         | 1    | 86       | 7       | A                                | F-41 Dated 29-04-2014 |
|          | 56 DH45 6E  | Seat Cowl Pl Silver         | 1    | 86       | 8       | A                                | F-41 Dated 29-04-2014 |
|          | 56 DK45 5N  | Seat Cowl Saffire Blue      | 1    | 86       | 8       | A                                | F-41 Dated 29-04-2014 |
|          | 56 DK45 27  | Seat Cowl Wine Red          | 1    | 86       | 8       | A                                | F-41 Dated 29-04-2014 |
|          | 36 DH40 69  | Kit Tank Dcl Pl Silver      | 1    | 86       | 9       | A                                | F-41 Dated 29-04-2014 |
|          | 36 DJ40 46  | Kit Tank Dcl W Red          | 1    | 86       | 9       | A                                | F-41 Dated 29-04-2014 |
|          | 36 DJ40 48  | Kit Tank Dcl S Blue         | 1    | 86       | 9       | A                                | F-41 Dated 29-04-2014 |
|          | 36 DH40 64  | Kit Tank Spoiler Dcl Silver | 1    | 88       | 10      | A                                | F-41 Dated 29-04-2014 |
|          | 36 DH40 63  | Kit Tank Spoiler Dcl Red    | 1    | 88       | 10      | A                                | F-41 Dated 29-04-2014 |
|          | 36 DH40 62  | Kit Tank Spoiler Dcl Blue   | 1    | 88       | 10      | A                                | F-41 Dated 29-04-2014 |
|          | 36 DH40 70  | Kit S Cover Dcl Pl Silver   | 1    | 88       | 11      | A                                | F-41 Dated 29-04-2014 |
|          | 36 DJ40 45  | Kit S Cover Dcl S Blue      | 1    | 88       | 11      | A                                | F-41 Dated 29-04-2014 |
|          | 36 DJ40 43  | Kit S Cover Dcl W Red       | 1    | 88       | 11      | A                                | F-41 Dated 29-04-2014 |
|          | 36 DH40 67  | Kit S Cowl Dcl Pl Silver    | 1    | 88       | 12      | A                                | F-41 Dated 29-04-2014 |
|          | 36 DH40 65  | Kit S Cowl Dcl S Blue       | 1    | 88       | 12      | A                                | F-41 Dated 29-04-2014 |
|          | 36 DH40 66  | Kit S Cowl Dcl W Red        | 1    | 88       | 12      | A                                | F-41 Dated 29-04-2014 |
|          | 36 DH40 68  | Kit Fairing Dcl Pl Silver   | 1    | 88       | 13      | A                                | F-41 Dated 29-04-2014 |
|          | 36 DJ40 39  | Kit Fairing Dcl S Blue      | 1    | 88       | 13      | A                                | F-41 Dated 29-04-2014 |

# Revision No. & Change Details



| REV. NO.  | PART NUMBER | SHORT DESCRIPTION          | QTY. | PAGE NO. | SR. NO. | A: Add<br>D: Delete<br>C: Change | REFERENCE             |
|-----------|-------------|----------------------------|------|----------|---------|----------------------------------|-----------------------|
|           | 36 DJ40 37  | Kit Fairing Dcl W Red      | 1    | 88       | 13      | A                                | F-41 Dated 29-04-2014 |
|           | 36 DK01 05  | Kit Pulsar Dcl Satin LH    | 1    | 88       | 14      | A                                | F-41 Dated 29-04-2014 |
|           | 36 DK01 06  | Kit Pulsar Dcl Satin RH    | 1    | 88       | 14      | A                                | F-41 Dated 29-04-2014 |
| 07 SEP 14 | 52 DJ05 69  | P Tank K1/K2 E Black       | 1    | 86       | 1       | A                                | F-42 Dated 30-06-2014 |
|           | 52 DJ05 57  | P Tank K1/K2 M White       | 1    | 86       | 1       | A                                | F-42 Dated 30-06-2014 |
|           | 56 DH04 X3  | Fairing E Black            | 2    | 86       | 1       | A                                | F-42 Dated 30-06-2014 |
|           | 52 DJ05 78  | Fairing M White            | 2    | 86       | 1       | A                                | F-42 Dated 30-06-2014 |
|           | 56 DH07 X3  | K1 Flap LH E Black         | 3    | 86       | 1       | A                                | F-42 Dated 30-06-2014 |
|           | 52 DH08 86  | K1 Flap LH M White         | 3    | 86       | 1       | A                                | F-42 Dated 30-06-2014 |
|           | 56 DH08 X3  | K1 Flap RH E Black         | 4    | 86       | 1       | A                                | F-42 Dated 30-06-2014 |
|           | 52 DH08 87  | K1 Flap RH M White         | 4    | 86       | 1       | A                                | F-42 Dated 30-06-2014 |
|           | 52 DH08 46  | Front Fender Assly E Black | 5    | 86       | 1       | A                                | F-42 Dated 30-06-2014 |
|           | 52 DH08 85  | Front Fender Assly M White | 5    | 86       | 1       | A                                | F-42 Dated 30-06-2014 |
|           | 52 DJ05 62  | Cover Side LH E Black      | 6    | 86       | 1       | A                                | F-42 Dated 30-06-2014 |
|           | 52 DJ05 34  | Cover Side LH M White      | 6    | 86       | 1       | A                                | F-42 Dated 30-06-2014 |
|           | 52 DJ05 35  | Cover Side RH M White      | 7    | 88       | 1       | A                                | F-42 Dated 30-06-2014 |
|           | 52 DJ05 63  | Cover Side RH E Blac       | 7    | 88       | 1       | A                                | F-42 Dated 30-06-2014 |
|           | 56 DK45 X3  | Seat Cowl E Black          | 8    | 88       | 1       | A                                | F-42 Dated 30-06-2014 |
|           | 56 DK45 5Y  | Seat Cowl M White          | 8    | 88       | 1       | A                                | F-42 Dated 30-06-2014 |
|           | 36 DJ40 47  | Kit Tank Dcl M White       | 9    | 88       | 1       | A                                | F-42 Dated 30-06-2014 |
|           | 36 DH40 74  | Kit T Spoiler Dcl E Black  | 10   | 88       | 1       | A                                | F-42 Dated 30-06-2014 |
|           | 36 DH40 74  | Kit T Spoiler Dcl E Black  | 10   | 88       | 1       | A                                | F-42 Dated 30-06-2014 |
|           | 36 DH40 75  | Kit S Cowl Dcl E Black     | 12   | 88       | 1       | A                                | F-42 Dated 30-06-2014 |
|           | 36 DJ40 44  | Kit S Cowl Dcl M White     | 12   | 88       | 1       | A                                | F-42 Dated 30-06-2014 |
|           | 36 DH40 73  | Kit Fairing Dcl E Black    | 13   | 88       | 1       | A                                | F-42 Dated 30-06-2014 |
|           | 36 DH40 79  | Kit Fairing Dcl M White    | 13   | 88       | 1       | A                                | F-42 Dated 30-06-2014 |
|           | DH 1211 88  | Carburettor assly          | 1    | 34       | 1       | C                                | C-46 dated 31-03-2014 |



## Foreword

---



We have pleasure in presenting the Spare Parts Catalogue for 'Pulsar 150' Motorcycle (UG IV). This catalogue has been specially designed to assist you in selecting the correct parts for procurement to maintain 100% availability.

The Bajaj spares are subjected to the stringent quality control standards to ensure longer life of the vehicle. It is therefore necessary that only the Genuine Bajaj Spares are used.

In a continual effort to improve Performance and Efficiency of the vehicles, Specifications, Diagrams, Illustrations and Part Numbers can change without notice. Consequently, the description in this Spare Parts Catalogue cannot therefore be final and binding on us.

The modifications / alterations which are carried out after the issue of this catalogue, will be conveyed to you through our Service Circulars. You are requested to make necessary corrections in the Parts Catalogue as per the circulars so as to keep your catalogue up-to-date. This will ensure the appropriate and speedy delivery of the Spare Parts as the order placed will bear the latest part numbers.

In case, if you need any technical assistance contact the concerned Regional Office or write to us on the following address :

### **Bajaj Auto Limited**

#### **Service Department**

Akurdi, Pune 411 035 India

Phone : 020-27406557

Fax : 020-27407385

E-mail : [service@bajajauto.co.in](mailto:service@bajajauto.co.in)

---

## Instructions

---



- 1. How to Read the Catalogue :** Open the catalogue and from the pictorial index locate the group in which the part you want to find is present. Turn over to the concerned page number (as given by pictorial index). Now find out the figure of the part you wish to order. Write down the part number against that particular figure number from the text.

In case, if you have the part number and you need the other details, the part index can be used. The part index (at the end of the catalogue) will give you the figure and page number of the part you wish to order.

- 2. How to Order Spare Parts :** The part number and the description of the part required should be invariably mentioned in the order as per the catalogue text.

The latest part number as conveyed through our service circulars should only appear on the order. In case of ordering painted components, colour shade of the components should be mentioned.

The quantity shown against the part number is the quantity per vehicle for that group so that particular quantity should be multiplied by the number of sets required.

- 3. Part Number System :** We have used 8 digit system for part numbers. The model or hardware item is indicated by first two digits or alphanumeric, the next two or four digits indicate main group and the last four or two digits indicate serial number in main group or serial number or subgroup of fastener respectively. Thus the part numbers will be indicated by 2-2-4 or 2-4-2 digit system. Understanding this system will enable you to identify the spare parts easily.

- 4. Abbreviations :** The following abbreviations are used in this catalogue.

|        |                 |       |             |
|--------|-----------------|-------|-------------|
| Assly  | Assembly        | V     | Volts       |
| N.I.   | Not illustrated | W     | Watts       |
| C'case | Crankcase       | Accl. | Accelerator |
| Cyl    | Cylinder        | Comp. | Complete    |
| O/s    | Over size       | Fr.   | Front       |
| Rr.    | Rear            | Std.  | Standard    |
| L      | Length          | A/t.  | Alternate   |
| R.H.   | Right hand      | L.H.  | Left hand   |
| Hex.   | Hexagonal       | AR    | As required |

---

| Plate No. | Description                       | Page No. |
|-----------|-----------------------------------|----------|
| 1         | Cover Cylinder Head               | 2        |
| 2         | Cylinder Head                     | 4        |
| 3         | Valve                             | 6        |
| 4         | Camshaft / Tensioner              | 8        |
| 5         | Cylinder & Piston                 | 10       |
| 6         | Crankshaft                        | 12       |
| 7         | Balancer & Balancer Idler Gear    | 14       |
| 8         | Transmissaion                     | 16       |
| 9         | Change Drum / Shaft Fork          | 18       |
| 10        | Gear Change Mechanism             | 20       |
| 11        | Engine Assly. & Crankcase RH      | 22       |
| 12        | Crankcase LH                      | 24       |
| 13        | Cover RH                          | 26       |
| 14        | Cover Magneto                     | 28       |
| 15        | Clutch                            | 30       |
| 16        | Kick Starter Mechanism            | 32       |
| 17        | Carburettor                       | 34       |
| 18        | Air Cleaner Complete              | 36       |
| 19        | Silencer Assembly                 | 38       |
| 20        | Seat Assembly / Seat Lock         | 40       |
| 21        | Oil Pump                          | 42       |
| 22        | Magneto, CDI & H.T. Coil          | 44       |
| 23        | Starter Assembly (For Self Start) | 46       |
| 24        | Engine Mountings                  | 48       |
| 25        | Frame and Frame Fittings          | 50       |
| 26        | Swing Arm / Rear Shock Absorber   | 52       |
| 27        | Rider Foot Rest                   | 54       |
| 28        | Pillion Foot Rest / Holder        | 56       |
| 29        | Mudguard - Front & Rear           | 58       |
| 30        | Stand Assembly                    | 60       |

| Plate No. | Description                               | Page No. |
|-----------|---|----------|
| 31        | Tube / Tyre / Rim                         | 62       |
| 32        | Front Hub                                 | 64       |
| 33        | FR. Master Cylinder (For Disc Brake)      | 66       |
| 34        | Front Disc Brake                          | 68       |
| 35        | Rear Hub                                  | 70       |
| 36        | Rear Brake Padal                          | 72       |
| 37        | Handle Bar ( Single Tube Type )           | 74       |
|           | Handle Bar ( Split Type )                 | 76, 78   |
| 38        | Front Fork                                | 80       |
| 39        | Painted Parts & Decals                    | 82, 84   |
| 40        | Cap Tank & Gauge Fuel                     | 86       |
| 41        | Fittings P. Tank, Side Cover & Cover Seat | 88       |
| 42        | Meter Assembly                            | 90       |
| 43        | Control Cables                            | 92       |
| 44        | Chain Case                                | 94       |
| 45        | Head Lamp & Fairing                       | 96       |
| 46        | Indicator Light Assembly                  | 98       |
| 47        | Tail Lamp Assly / FR & RR No. Plate       | 100      |
| 48        | Electrical Equipments                     | 102      |
| 49        | Tool Kit                                  | 104      |
| 50        | Accessories / Grab Handle                 | 106      |

# Pictorial Index

PLATE NO. : 1  
COVER CYLINDER HEAD

PAGE NO.  
1 & 2

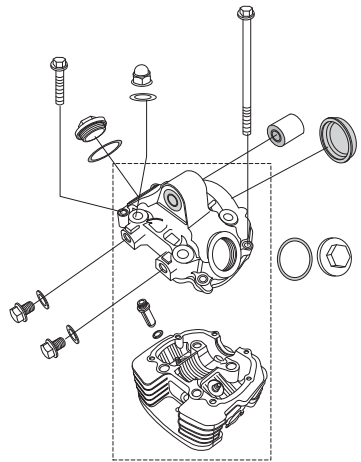


PLATE NO. : 2  
CYLINDER HEAD

PAGE NO.  
3 & 4

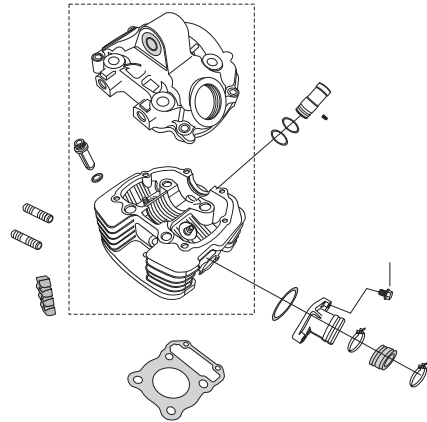


PLATE NO. : 3  
VALVE

PAGE NO.  
5 & 6

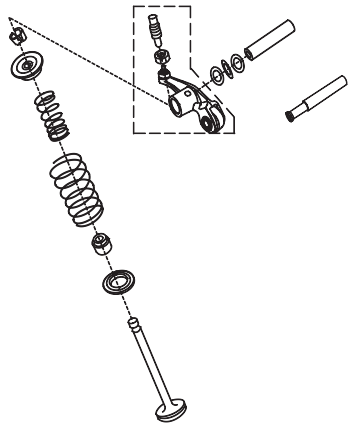
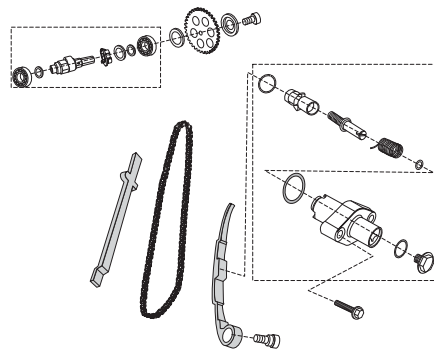


PLATE NO. : 4  
CAMSHAFT / TENSIONER

PAGE NO.  
7 & 8



# Pictorial Index

PLATE NO. : 5  
CYLINDER & PISTON

PAGE NO.  
9 & 10

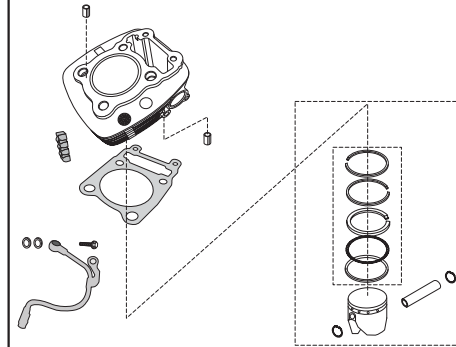


PLATE NO. : 6  
CRANKSHAFT

PAGE NO.  
11 & 12

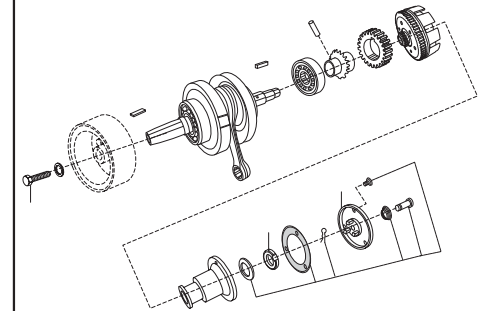


PLATE NO. : 7  
Balancer & Balancer Idler Gear

PAGE NO.  
13 & 14

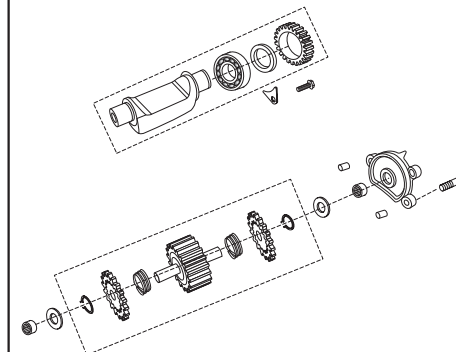
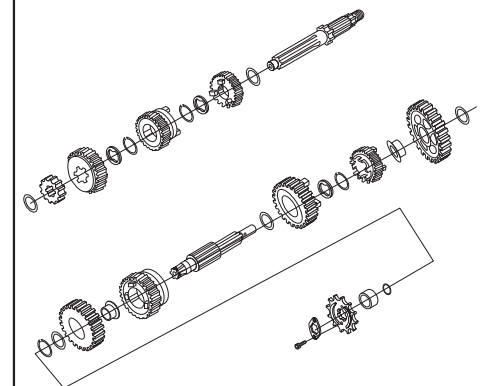


PLATE NO. : 8  
Transmission

PAGE NO.  
15 & 16



# Pictorial Index

PLATE NO. : 9  
Change Drum / Shaft Fork

PAGE NO.  
17 & 18

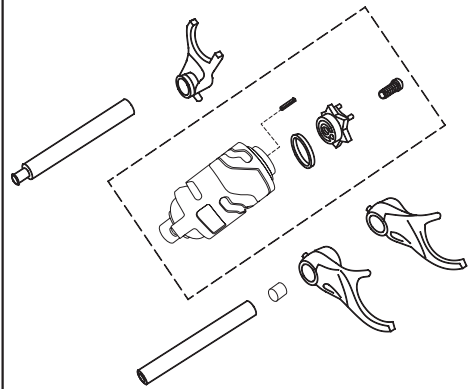


PLATE NO. : 10  
Gear Change Mechanism

PAGE NO.  
19 & 20

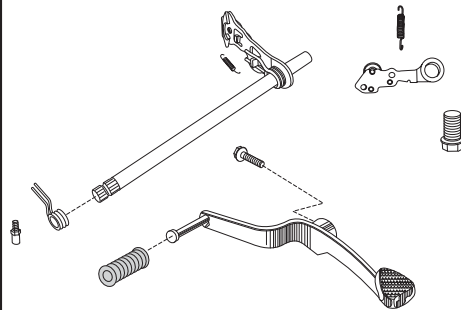


PLATE NO. : 11  
Engine Assy. & Crankcase RH

PAGE NO.  
21 & 22

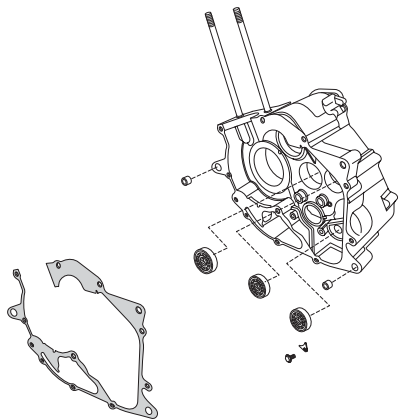
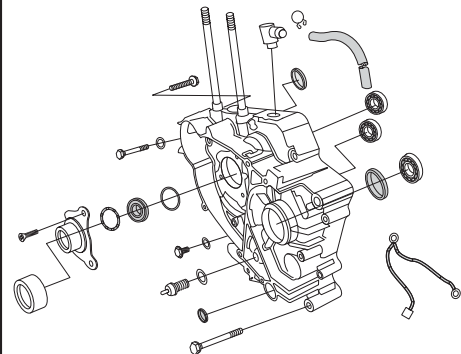


PLATE NO. : 12  
Crankcase LH

PAGE NO.  
23 & 24



# Pictorial Index

PLATE NO. : 13  
Cover RH

PAGE NO.  
25 & 26

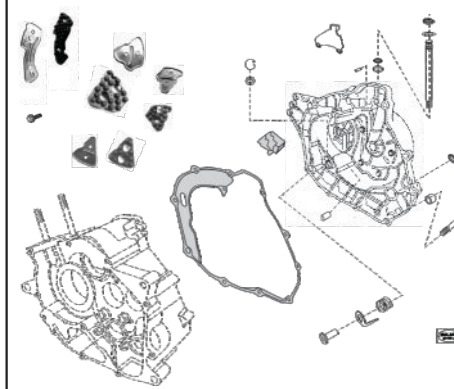


PLATE NO. : 14  
Cover Magneto

PAGE NO.  
27 & 28

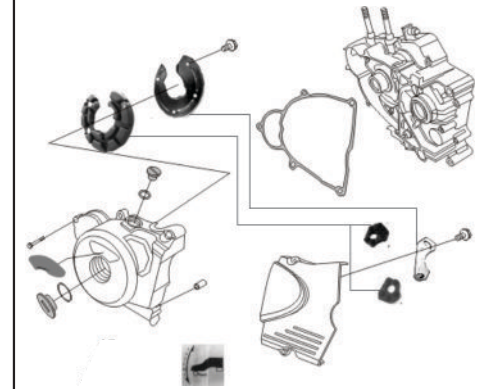


PLATE NO. : 15  
Clutch

PAGE NO.  
29 & 30

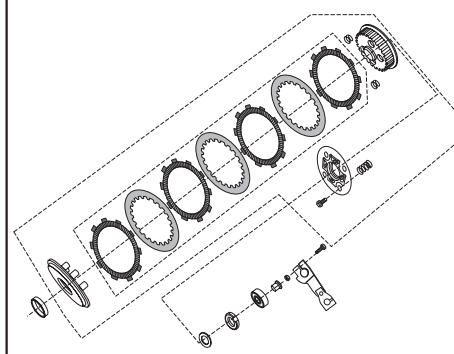
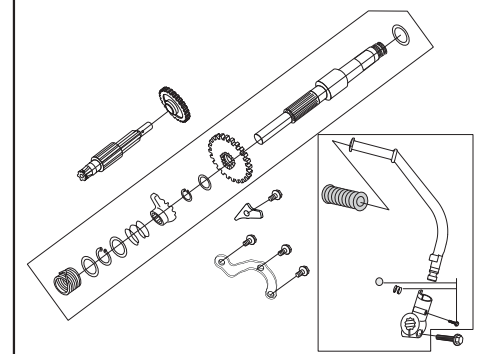


PLATE NO. : 16  
Kick Starter Mechanism

PAGE NO.  
31 & 32



# Pictorial Index

PLATE NO. : 17  
Carburettor

PAGE NO.  
33 & 34

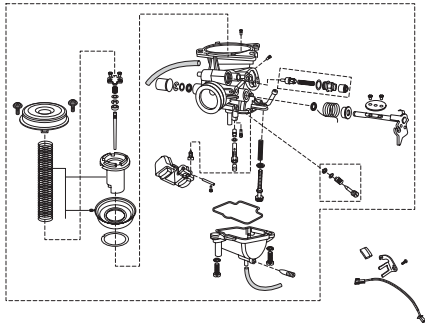


PLATE NO. : 18  
Air Cleaner Complete

PAGE NO.  
35 & 36

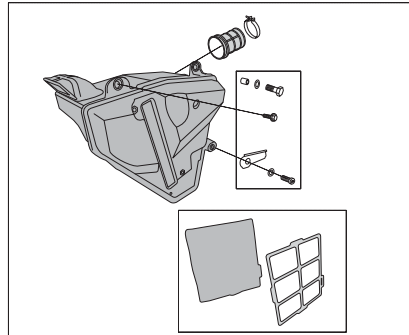


PLATE NO. : 19  
Silencer Assembly

PAGE NO.  
37 & 38

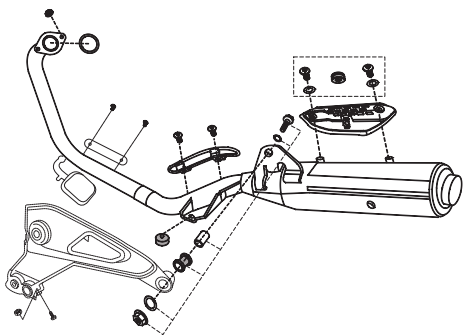
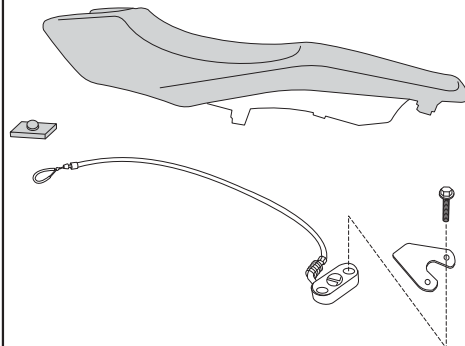


PLATE NO. : 20  
Seat Assembly / Seat Lock

PAGE NO.  
39 & 40



# Pictorial Index

PLATE NO. : 21  
Oil Pump

PAGE NO.  
41 & 42

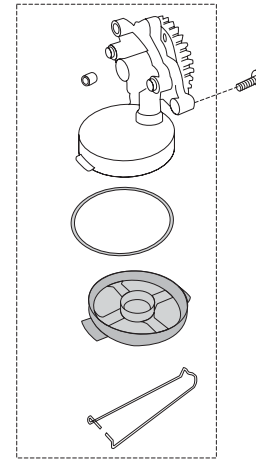


PLATE NO. : 22  
Magneto, CDI & H.T. Coil

PAGE NO.  
43 & 44

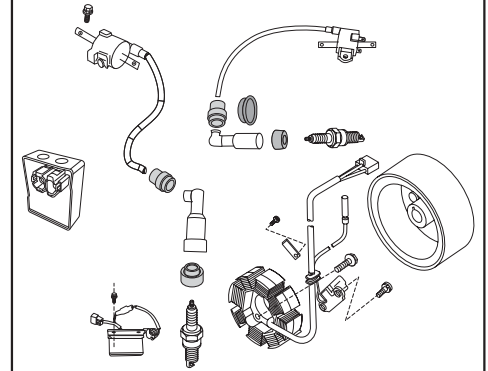


PLATE NO. : 23  
Starter Assembly (For Self Start)

PAGE NO.  
45 & 46

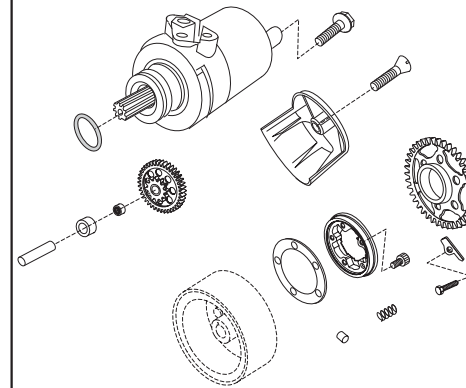
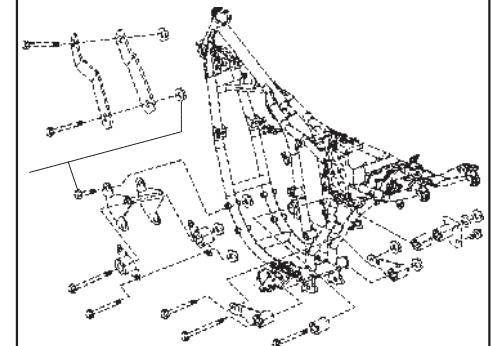


PLATE NO. : 24  
Engine Mountings

PAGE NO.  
47 & 48



# Pictorial Index

PLATE NO. : 25  
Frame and Frame Fittings

PAGE NO.  
49 & 50

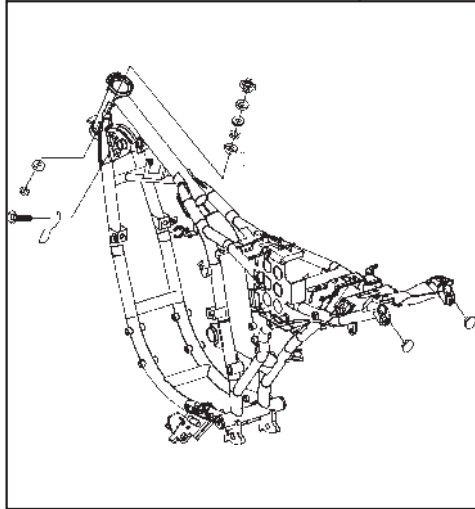


PLATE NO. : 26  
Swing Arm / Rear Shock Absorber

PAGE NO.  
51 & 52

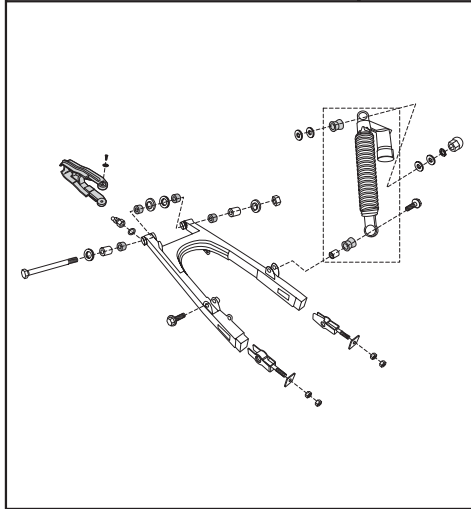


PLATE NO. : 27  
Rider Foot Rest

PAGE NO.  
53 & 54

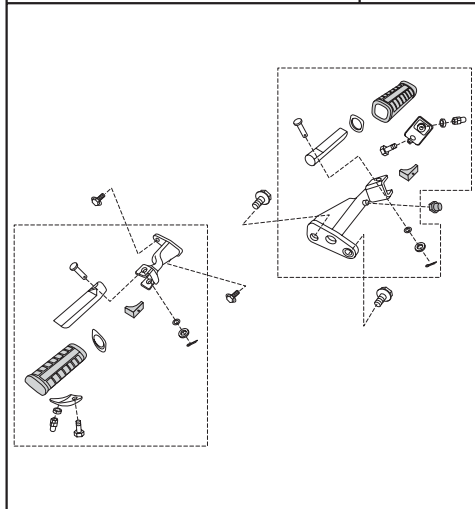
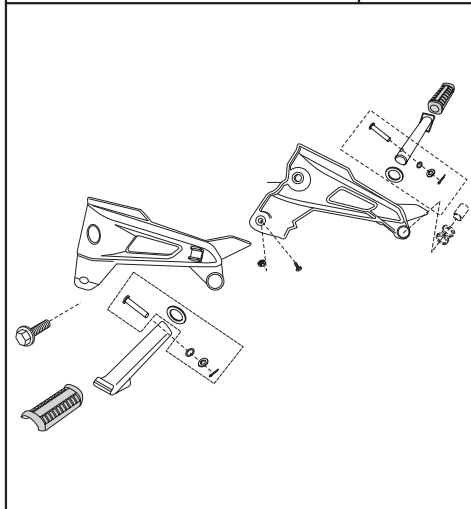


PLATE NO. : 28  
Pillion Foot Rest / Holder

PAGE NO.  
55 & 56



# Pictorial Index

PLATE NO. : 29  
MUDGUARD FRONT & REAR

PAGE NO.  
57 & 58

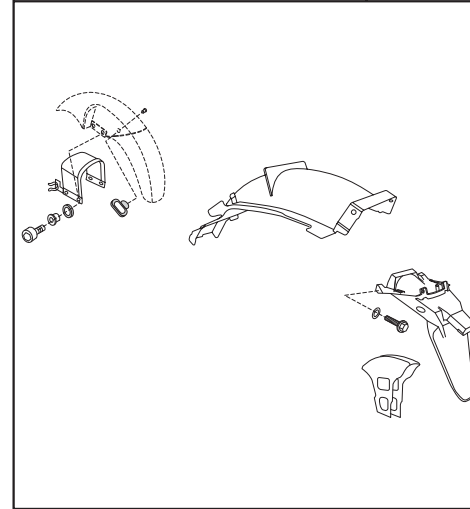


PLATE NO. : 30  
Stand Assembly

PAGE NO.  
59 & 60

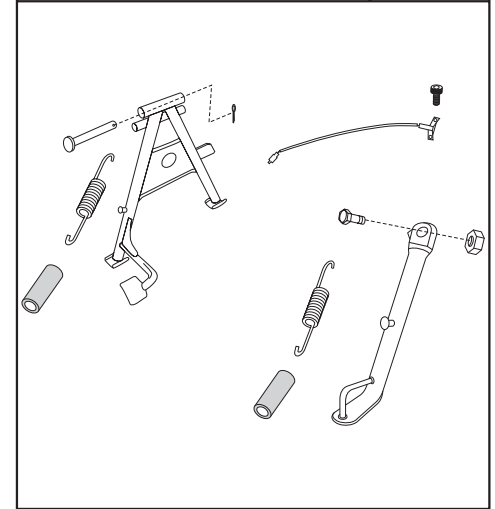


PLATE NO. : 31  
Tube / Tyre / Rim

PAGE NO.  
61 & 62

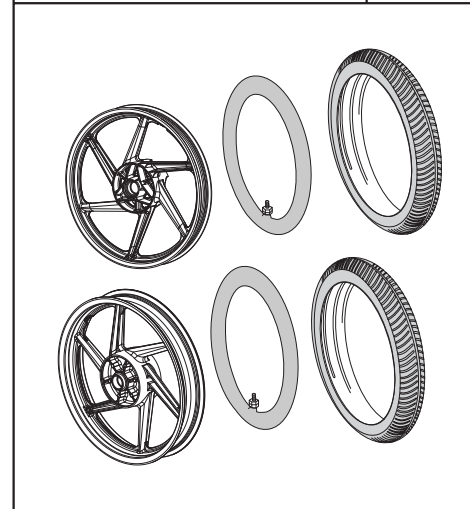
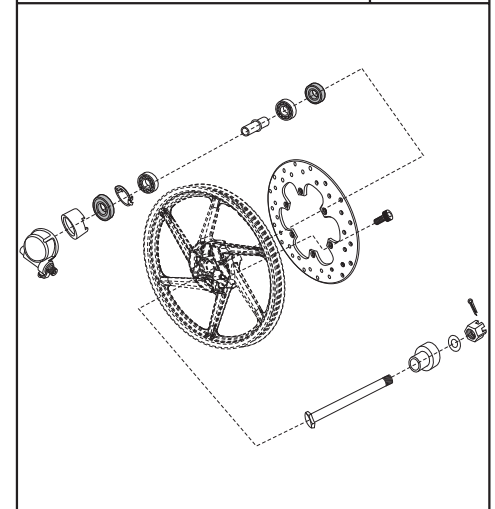


PLATE NO. : 32  
FRONT HUB (FOR DRUM BRAKE)

PAGE NO.  
63 & 64



# Pictorial Index

PLATE NO. : 33  
FR. Master Cylinder (For Disc Brake)

PAGE NO.  
65 & 66

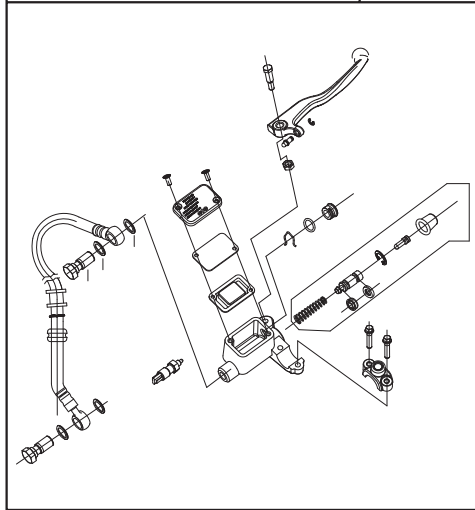


PLATE NO. : 34  
Front Master Cylinder

PAGE NO.  
67 & 68

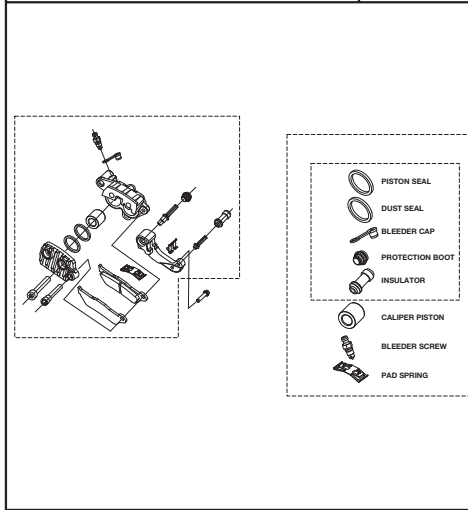


PLATE NO. : 35  
Rear Hub

PAGE NO.  
69 & 70

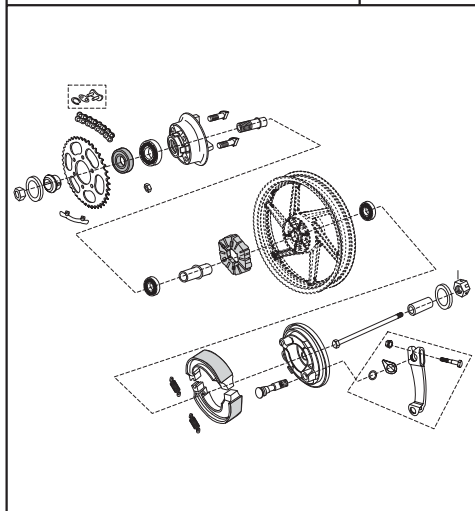
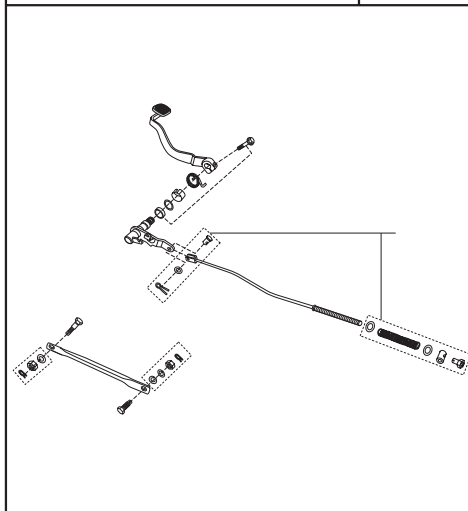


PLATE NO. : 36  
Rear Hub

PAGE NO.  
71 & 72



# Pictorial Index

PLATE NO. : 37  
Handle Bar

PAGE NO.  
73 & 74

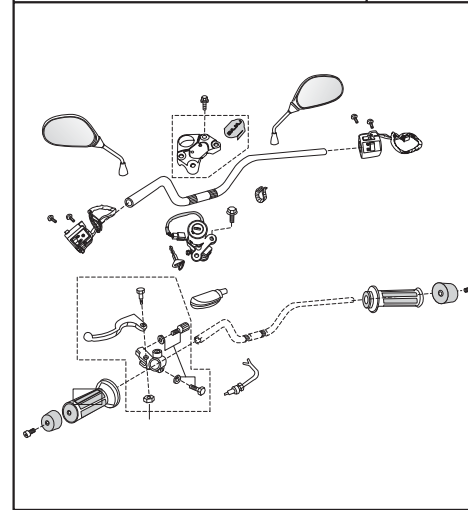


PLATE NO. : 37  
Handle Bar

PAGE NO.  
75/76/77/78

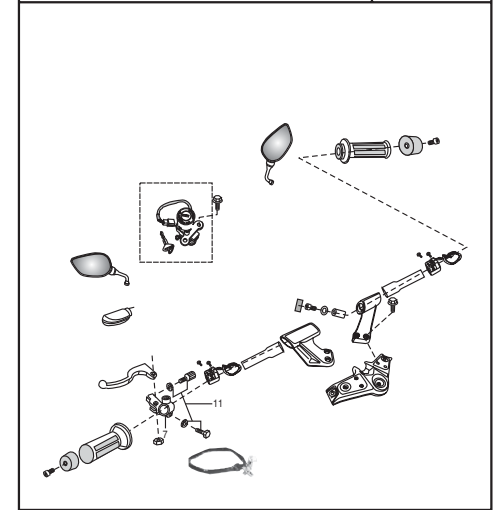


PLATE NO. : 38  
Handler Bar

PAGE NO.  
79 & 80

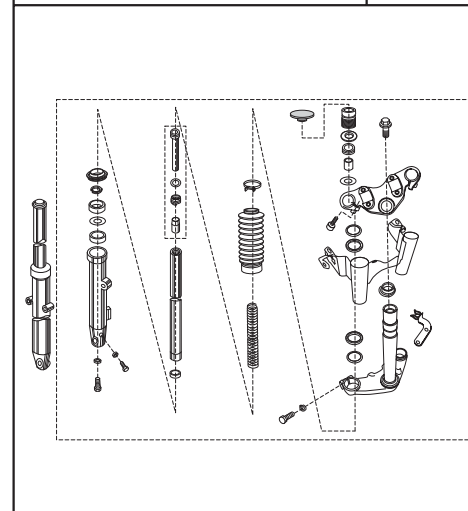
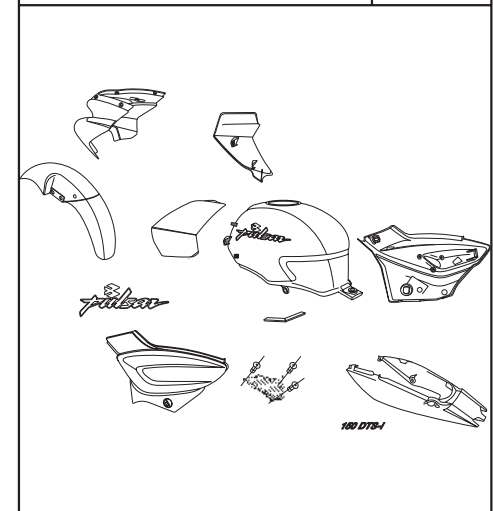


PLATE NO. : 39  
Painted Parts & Decals

PAGE NO.  
81/82/83/84



# Pictorial Index

|   |                     |
|---|---------------------|
| PLATE NO. : 40<br>Cap Tank & Gauge Fuel | PAGE NO.<br>85 & 86 |
|   |                     |

|   |                     |
|---|---------------------|
| PLATE NO. : 41<br>Fittings P. Tank, Side Cover & Cover Seat | PAGE NO.<br>87 & 88 |
|   |                     |

|                                  |                     |
|----------------------------------|---------------------|
| PLATE NO. : 42<br>Meter Assembly | PAGE NO.<br>89 & 90 |
|                                  |                     |

|                                  |                     |
|----------------------------------|---------------------|
| PLATE NO. : 43<br>Control Cables | PAGE NO.<br>91 & 92 |
|                                  |                     |

# Pictorial Index

|                              |                     |
|------------------------------|---------------------|
| PLATE NO. : 44<br>Chain Case | PAGE NO.<br>93 & 94 |
|                              |                     |

|                                       |                     |
|---------------------------------------|---------------------|
| PLATE NO. : 45<br>Head Lamp & Fairing | PAGE NO.<br>95 & 96 |
|                                       |                     |

|  |                     |
|--|---------------------|
| PLATE NO. : 46<br>Indicator Light Assembly | PAGE NO.<br>97 & 98 |
|  |                     |

|   |                       |
|---|-----------------------|
| PLATE NO. : 47<br>Tail Lamp Assly / FR & RR No. Plate | PAGE NO.<br>100 & 101 |
|   |                       |

# Pictorial Index

BAJAJ  
*Pulsar* **DTS-i 150**

PLATE NO. : 48  
Electrical Equipments

PAGE NO.  
102 & 103

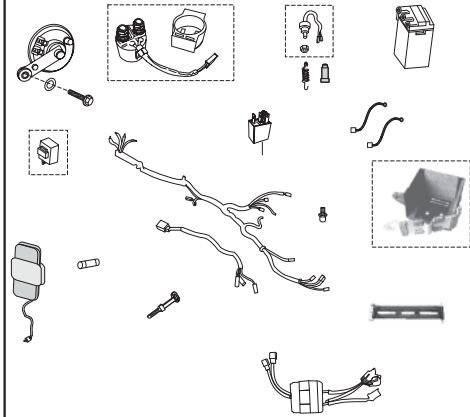


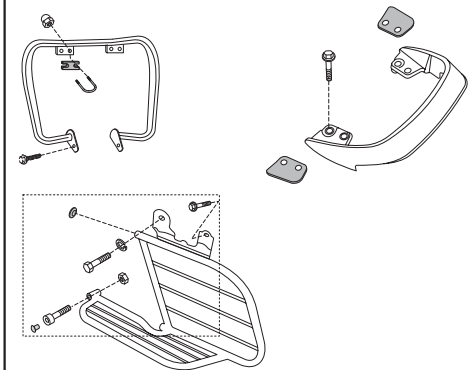
PLATE NO. : 49  
Tool Kit

PAGE NO.  
104 & 105

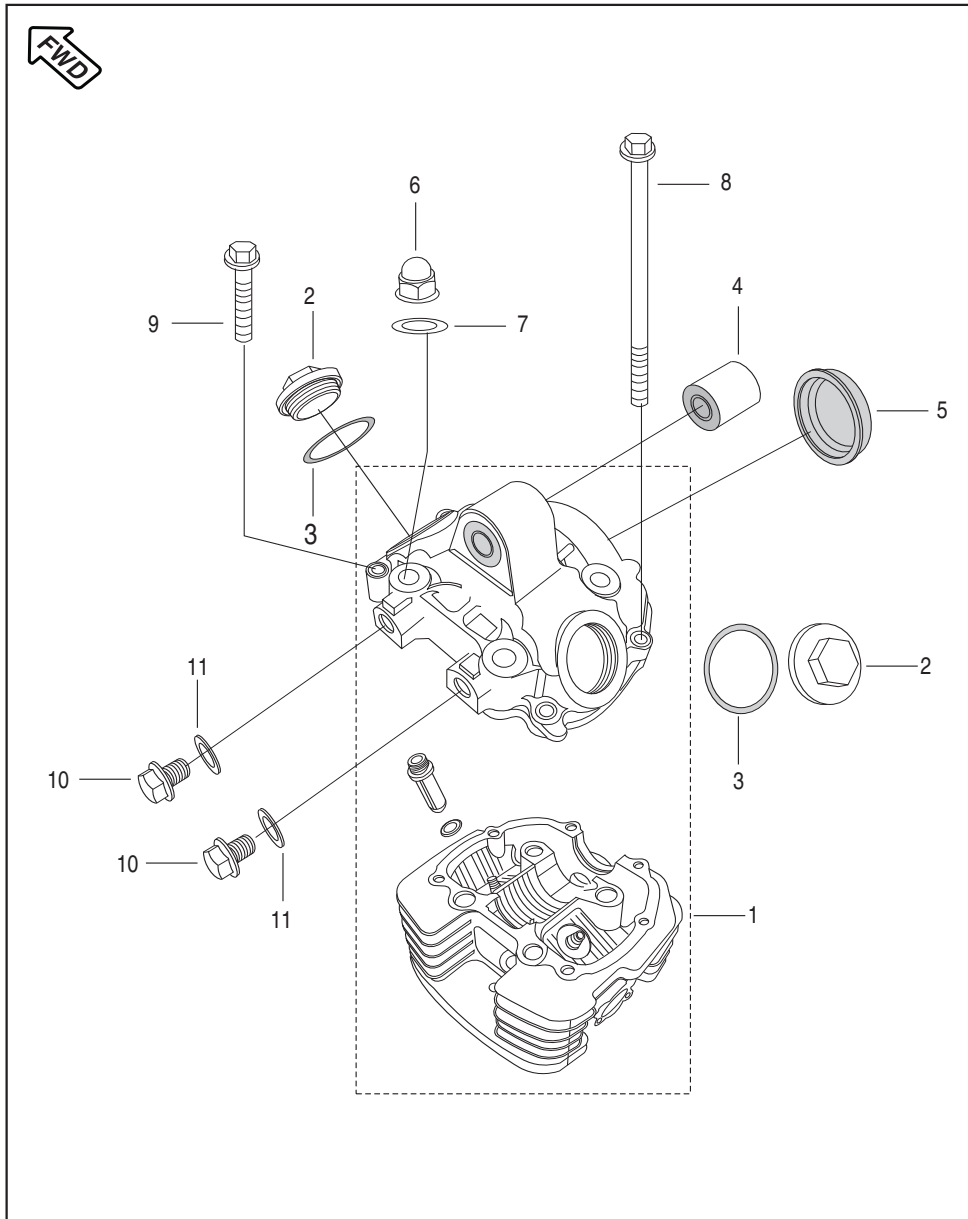


PLATE NO. : 50  
Accessories / Grab Handle

PAGE NO.  
106 & 107

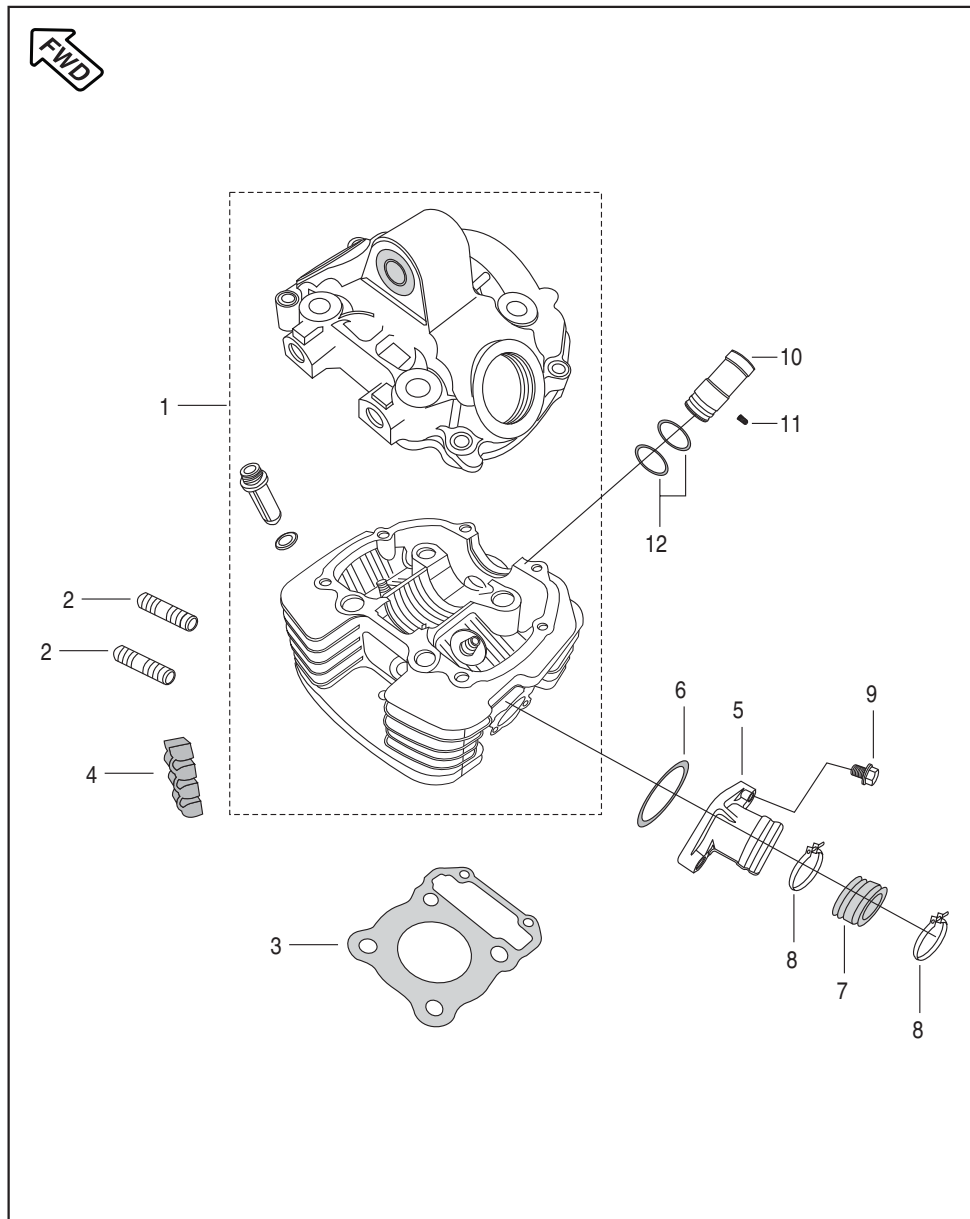


Cover Cylinder Head



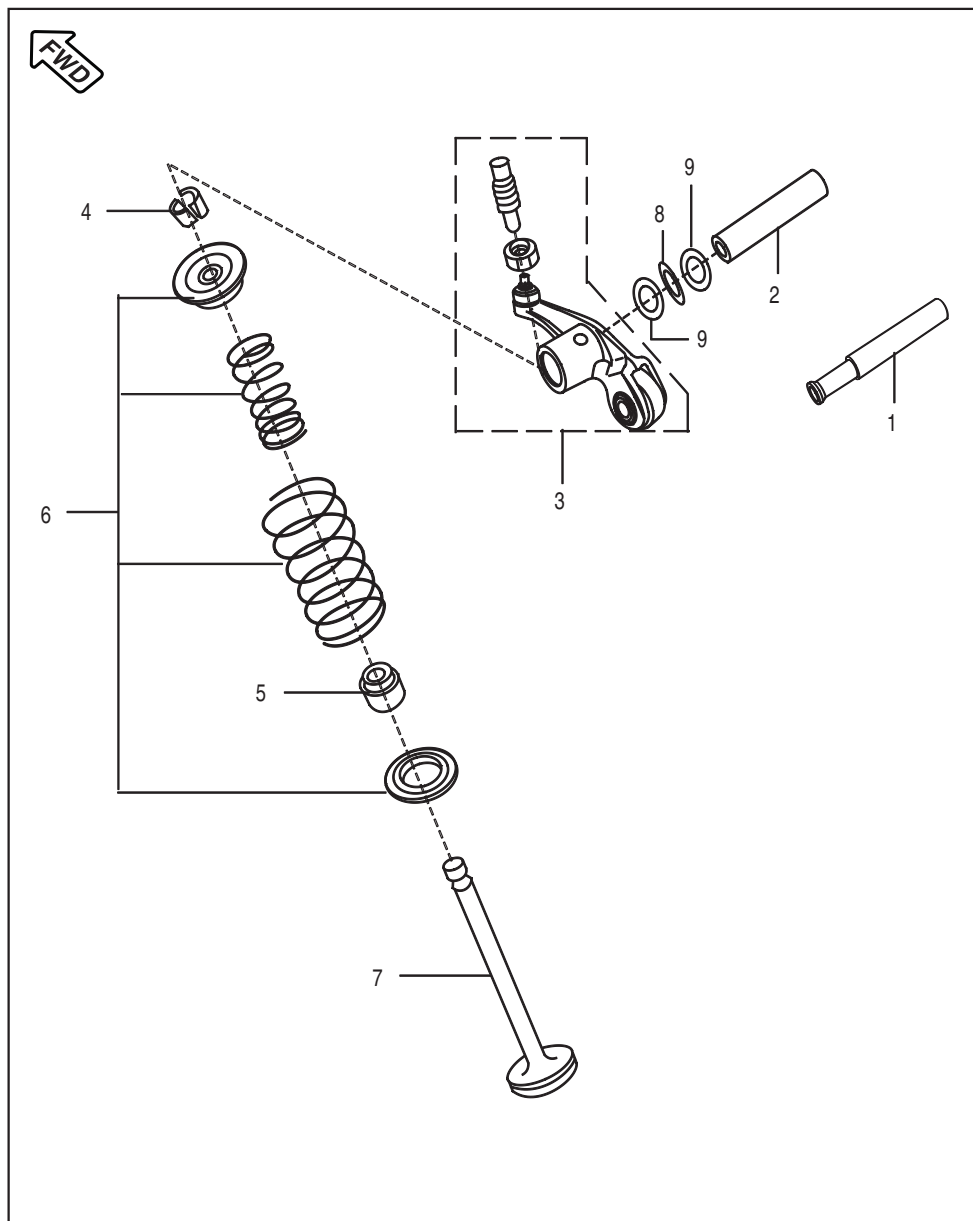
| No. | Part No.   | Description                      | Qty/Veh. | Remarks               |
|-----|------------|----------------------------------|----------|-----------------------|
| 1   | DH 1018 63 | Head Cylinder With Cover         | 1        | C-40 dated 22/03/2012 |
|     | 36 DH40 50 | Kit Asly Cyl Head With Cover     | 1        |                       |
| 2   | DJ 1012 17 | Cover Tappet                     | 2        |                       |
|     | 52 JN01 35 | Cover Tappet with 'O' ring       | 2        |                       |
| 3   | 36 DS10 01 | 'O' Ring Kit For Cover Cyl. Head | 1        |                       |
| 4   | DS 1011 66 | Silent Bush (V)                  | 1        |                       |
| 5   | DS 1010 96 | Camshaft Cap                     | 1        |                       |
| 6   | 39 2647 15 | Domed Cap Nut                    | 4        |                       |
| 7   | DS 1010 84 | Copper Gasket                    | 4        |                       |
| 8   | 39 2532 04 | Hex. Bolt With Flange            | 2        |                       |
| 9   | 39 1075 04 | Hex. Bolt / Flange               | 4        |                       |
| 10  | DH 1012 72 | Plug                             | 2        |                       |
| 11  | 31 1011 06 | Gasket                           | 2        |                       |

Cylinder Head



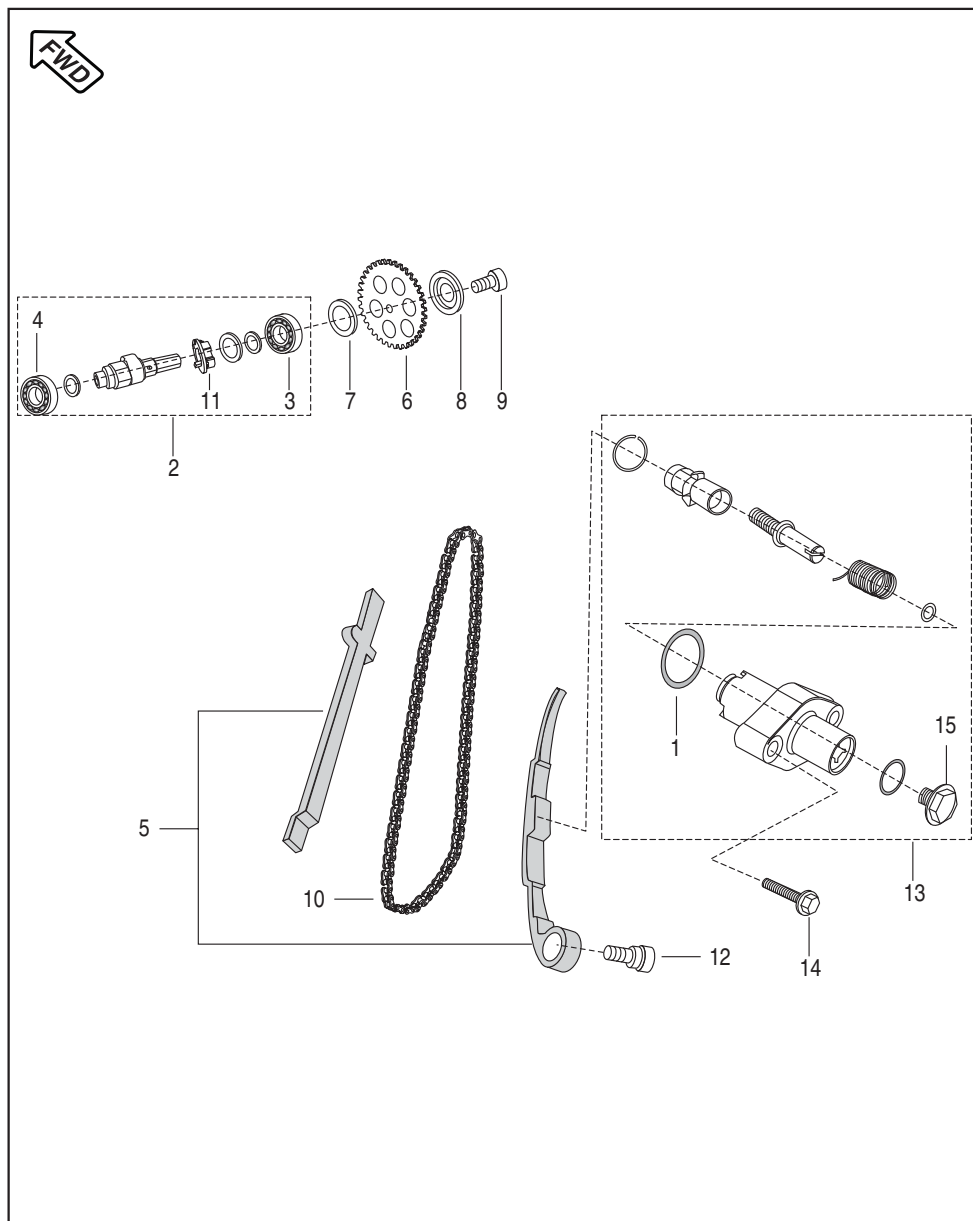
| No. | Part No.   | Description                      | Qty/Veh. | Remarks                              |
|-----|------------|----------------------------------|----------|--------------------------------------|
| 1   | DH 1018 63 | Head Cylinder With Cover         | 1        |                                      |
|     | 36 DH40 50 | Kit Asly Cyl Head With Cover     | 1        | C-40 dated 22/03/2012                |
| 2   | 39 1660 05 | Stud (exhaust)                   | 2        |                                      |
| 3   | DH 1016 80 | Gasket Cylinder Head             | 1        |                                      |
| 4   | DH 1015 08 | Damper Cylinder Head             | 5        |                                      |
| 5   | DH 1211 53 | Intake Manifold                  | 1        |                                      |
|     | DH 1018 98 | Intake Manifold                  | 1        | C-21 dated 29/01/2010                |
| 6   | 39 1283 21 | 'O' Ring (intake Pipe)           | 1        |                                      |
| 7   | DH 1211 06 | Carburettor Insulator            | 1        |                                      |
|     | DJ 1210 22 | Carburettor Insulator            | 1        | C-21 dated 29/01/2010                |
| 8   | DH 1210 38 | Clamp For Insulator              | 2        |                                      |
| 9   | 39 1674 04 | Hex. Bolt / Flange               | 2        |                                      |
| 10  | DH 1110 12 | Sleeve - Spark Plug              | 1        |                                      |
| 11  | 39 2608 01 | Grub Screw                       | 1        |                                      |
| 12  | 36 DS10 01 | 'O' Ring Kit For Cover Cyl. Head | 1        | Tappet & Spark Plug Sleeve 'O' rings |

Valve



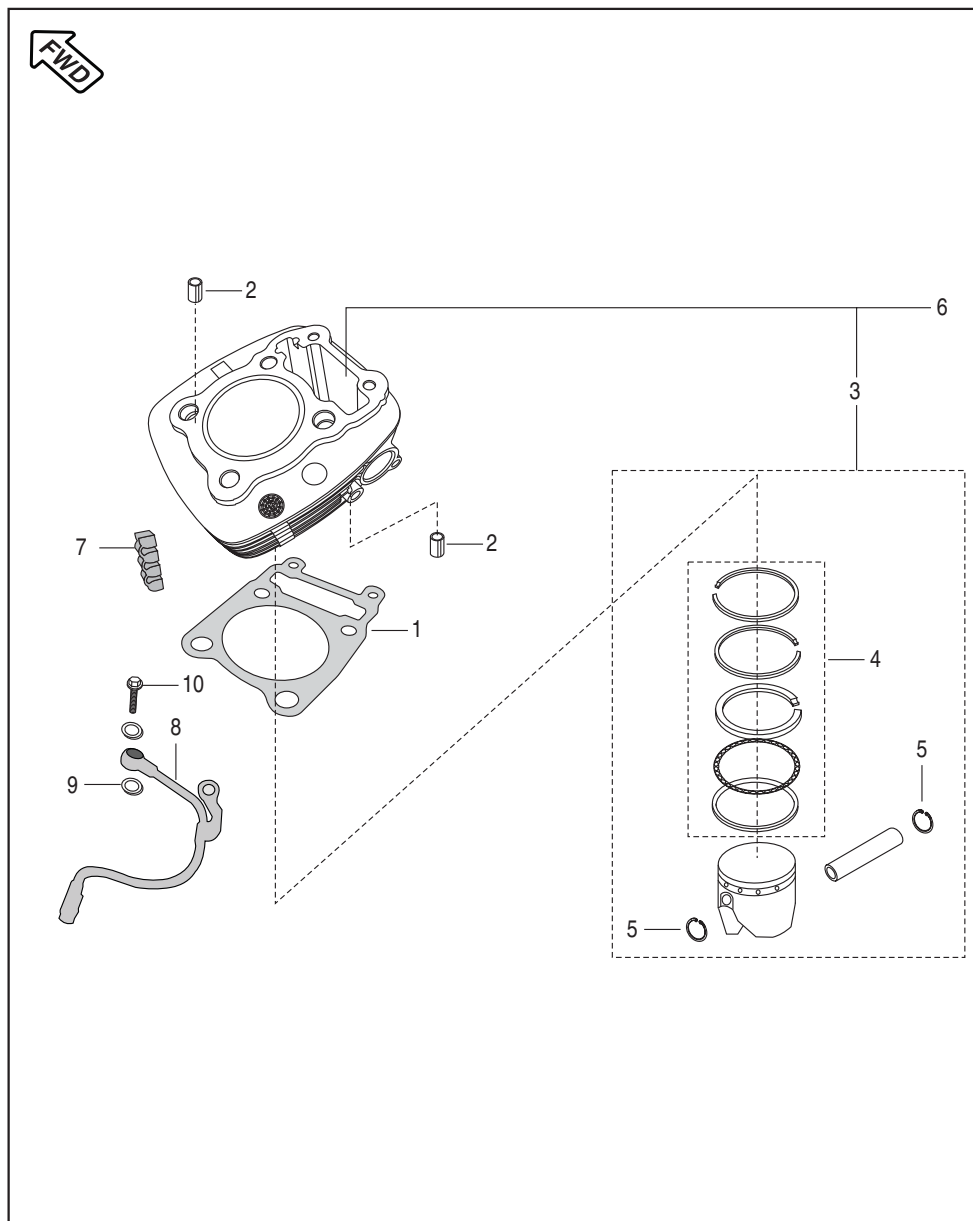
| No. | Part No.   | Description                | Qty/Veh. | Remarks               |
|-----|------------|----------------------------|----------|-----------------------|
| 1   | DS 1013 35 | Rocker Arm Shaft - Intake  | 1        |                       |
|     | DK 1017 48 | Rocker Arm Shaft - Intake  | 1        | C-40 dated 22/03/2012 |
| 2   | DS 1013 36 | Rocker Arm Shaft - Exhaust | 1        |                       |
|     | DK 1017 51 | Rocker Arm Shaft - Exhaust | 1        | C-40 dated 22/03/2012 |
| 3   | DS 1013 33 | Rocker Arm With Roller     | 2        |                       |
|     | DK 1017 55 | Rocker Arm With Roller     | 2        | C-40 dated 22/03/2012 |
| 4   | DG 1010 29 | Cotter Valve               | 4        |                       |
| 5   | 39 2017 19 | Seal Valve Stem            | 2        |                       |
| 6   | 36 DK00 05 | Valve Repair Kit           | 1        | Ref. Page No.107      |
|     | DK 1013 26 | Valve Repair Kit           | 1        | C-21 dated 29/01/2010 |
| 7   | 36 DS10 02 | Valve Kit                  | 1        | Ref. Page No.107      |
| 8   | DS 1013 66 | Wave Washer                | 2        |                       |
|     | DH 1012 95 | Wave Washer                | 2        | C-40 dated 22/03/2012 |
| 9   | 59 1100 02 | Plain Washer               | 4        |                       |
|     | 39 2440 11 | Plain Washer               | 4        | C-40 dated 22/03/2012 |

Camshaft / Tensioner



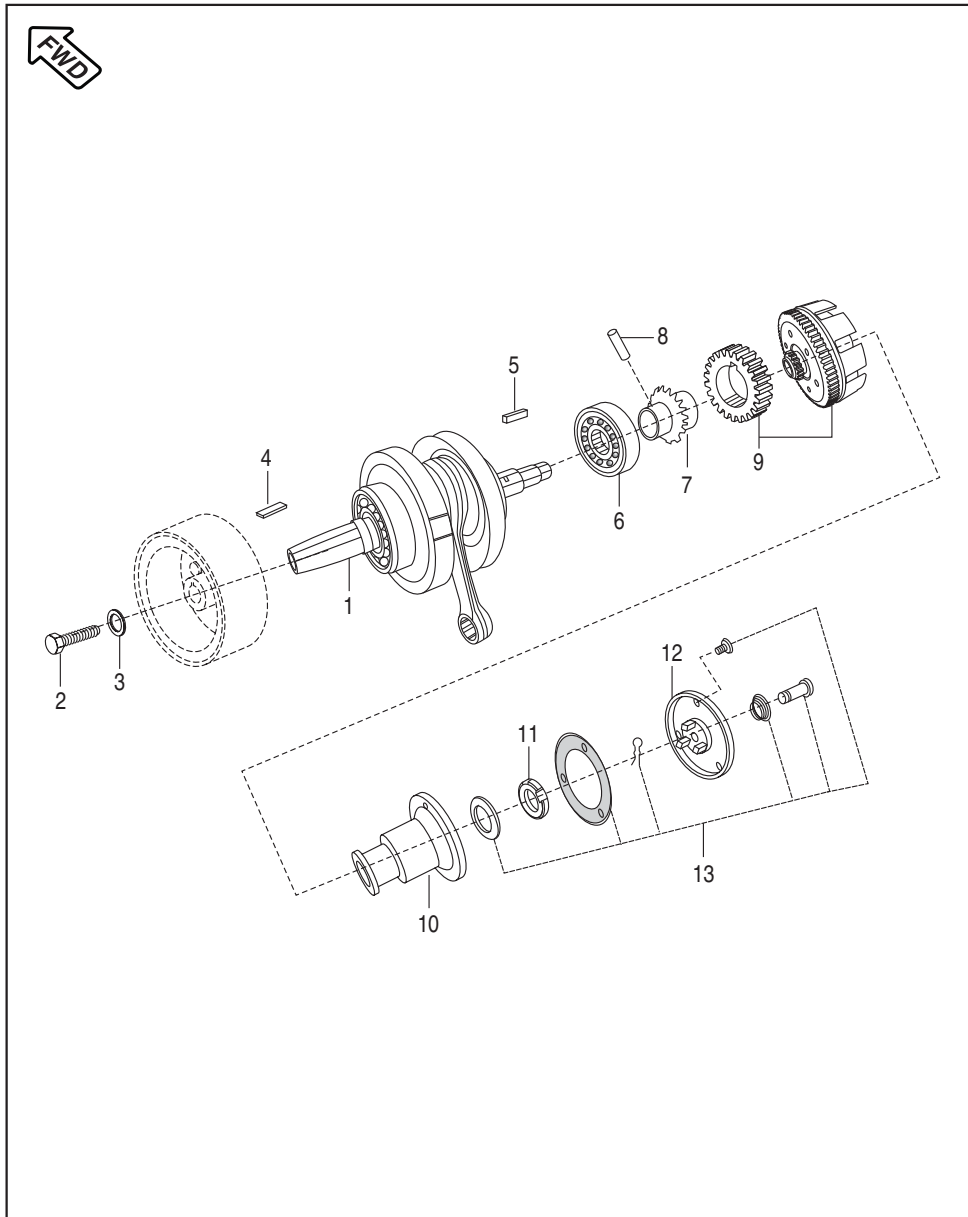
| No. | Part No.   | Description                     | Qty/Veh. | Remarks                     |
|-----|------------|---------------------------------|----------|-----------------------------|
| 1   | CS 1011 28 | Gasket Tensioner Assly          | 1        |                             |
| 2   | DH 1017 03 | Camshaft Assly                  | 1        |                             |
|     | DH 1019 03 | Camshaft Assly W/O De-Comp Unit | 1        | From Engine No. DHGBSD96696 |
|     | DK 1016 14 | Camshaft Assly W/O De-Comp      | 1        | C-21 dated 29/01/2010       |
| 3   | 39 2542 20 | Bearing Cam RH Side             | 1        | 6302 - Rs1/c3               |
| 4   | 39 2617 20 | Bearing Cam LH Side             | 1        | 6002 - C3                   |
| 5   | 36 DK00 39 | Guide Chain Kit                 | 1        | Ref. Page No.107            |
|     | 36 DH40 30 | Guide Chain Kit                 | 1        | From 22.08.2010             |
| 6   | DS 1012 76 | Sprocket Cam Driver             | 1        |                             |
| 7   | DH 1014 12 | Collar Cam Sprocket             | 1        |                             |
| 8   | DH 1010 48 | Special Camshaft Washer         | 1        |                             |
| 9   | DH 1013 87 | Hex. Soc. Head Cap Bolt         | 1        |                             |
| 10  | DH 1010 50 | Cam Chain                       | 1        |                             |
|     | JC 1010 35 | Cam Chain                       | 1        | C-21 dated 29/01/2010       |
| 11  | DJ 1011 37 | De-comp Assly.                  | 1        |                             |
| 12  | DH 1013 92 | Cam Chain Tensioner Pivot Bolt  | 1        |                             |
| 13  | JC 1010 34 | Tensioner Assly                 | 1        |                             |
| 14  | 39 1674 04 | Hex Bolt / Flange               | 2        |                             |
| 15  | DD 1010 62 | Bolt                            | 1        |                             |

Cylinder and Piston

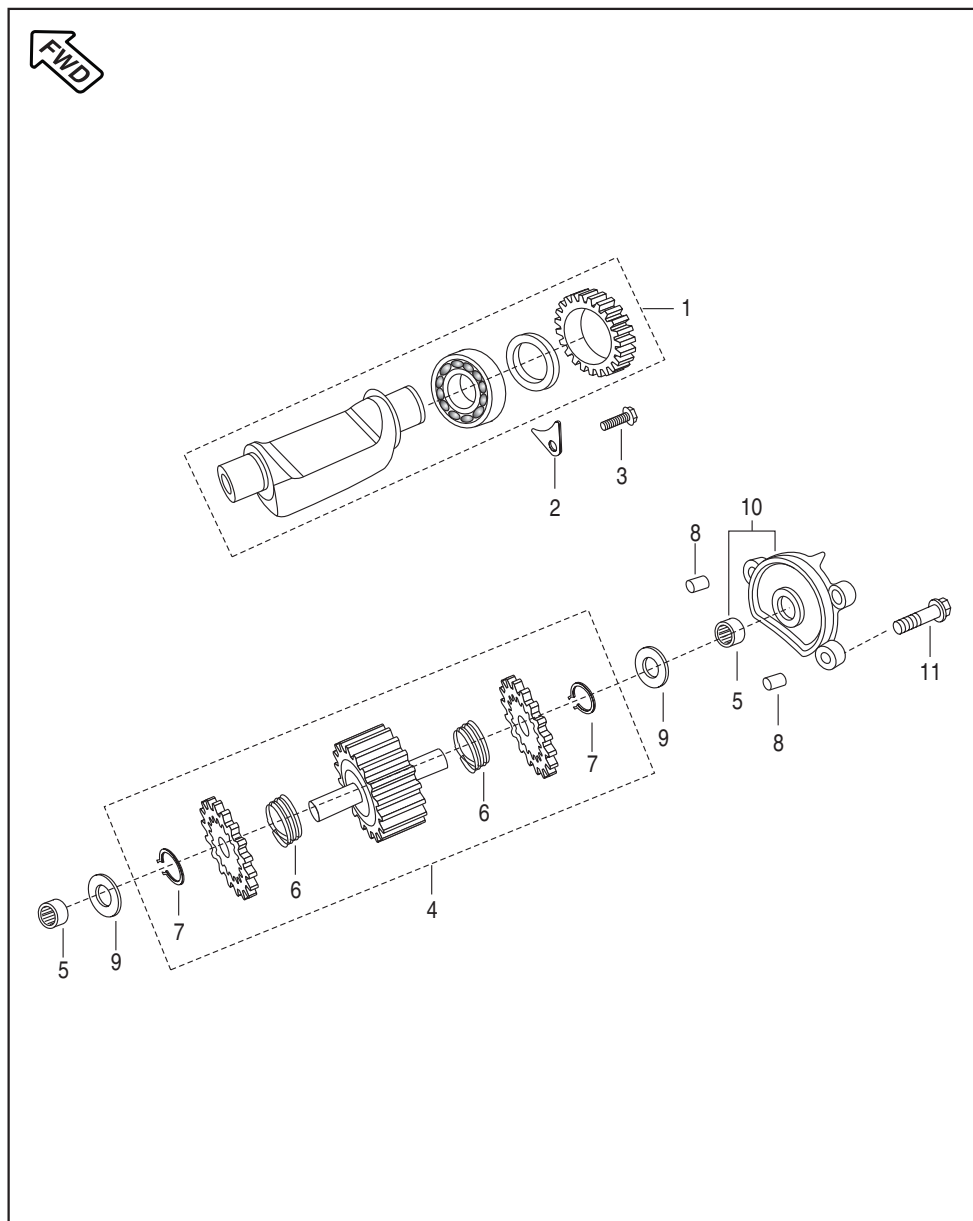


| No. | Part No.   | Description                   | Qty/Veh. | Remarks |
|-----|------------|-------------------------------|----------|---------|
| 1   | DH 1010 16 | Gasket Cylinder               | 1        | NS      |
| 2   | 39 2181 06 | Pin Dowel                     | 4        |         |
| 3   | DH 1016 65 | Piston Assly. Std.            | 1        |         |
| 4   | 36 DJ40 08 | Ring Set Piston               | 1        |         |
| 5   | DH 1016 71 | Ring Snap                     | 2        |         |
| 6   | DH 1018 64 | Cylinder Block / Piston Assly | 1        |         |
| 7   | DH 1014 14 | Damper Cylinder Block         | 4        |         |
| 8   | DK 1015 92 | Assembly Oil Pipe             | 1        |         |
| 9   | 31 1210 06 | Gasket                        | 4        |         |
| 10  | DD 1210 07 | Bolt                          | 2        |         |

Crank shaft



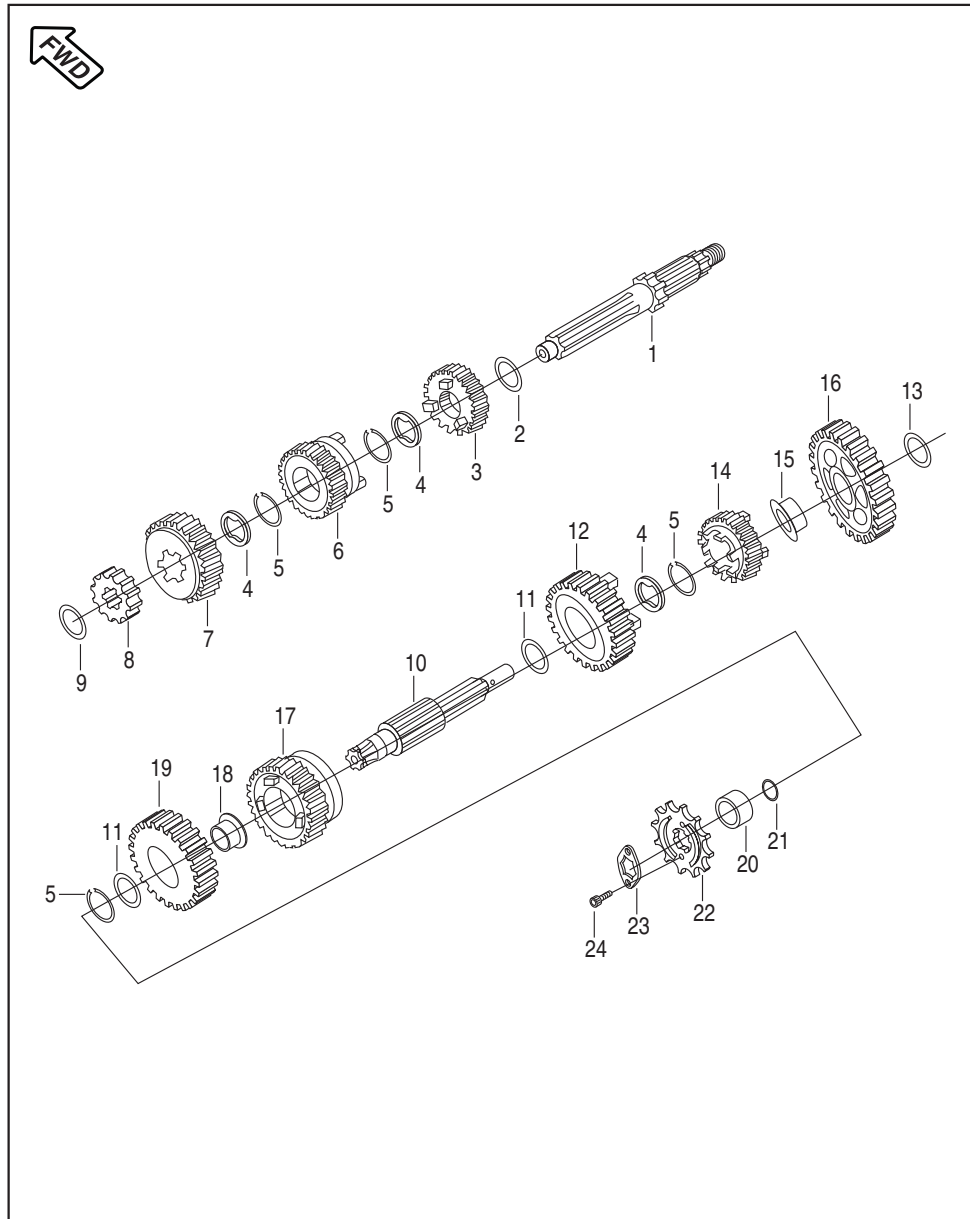
| No. | Part No.   | Description                  | Qty/Veh. | Remarks          |
|-----|------------|------------------------------|----------|------------------|
| 1   | DH 1016 72 | Crankshaft Assly. Comp.      | 1        |                  |
| 2   | 39 2183 04 | Bolt                         | 1        |                  |
| 3   | 39 2165 11 | Plain Washer                 | 1        |                  |
| 4   | 31 1011 73 | Key Woodruff                 | 1        |                  |
| 5   | DS 1011 54 | Square Key                   | 1        |                  |
| 6   | 39 2561 20 | Bearing Ball                 | 1        |                  |
| 7   | DS 1012 75 | Sprocket Cam Drive           | 1        |                  |
| 8   | 39 2203 07 | Parallel Pin                 | 1        |                  |
| 9   | 36 DH40 09 | Set Primary Driver & Driven  | 1        | Ref. Page No.107 |
| 10  | DH 1010 64 | Body Centrifugal Oil Filter  | 1        |                  |
| 11  | DH 1011 95 | Nut                          | 1        | 7mm. (height)    |
| 12  | DH 1010 65 | Cover Centrifugal Oil Filter | 1        |                  |
| 13  | 36 DH40 19 | Kit Centrifugal Oil Filter   | 1        | Ref. Page No.107 |



### Balancer & Balancer Idler Gear

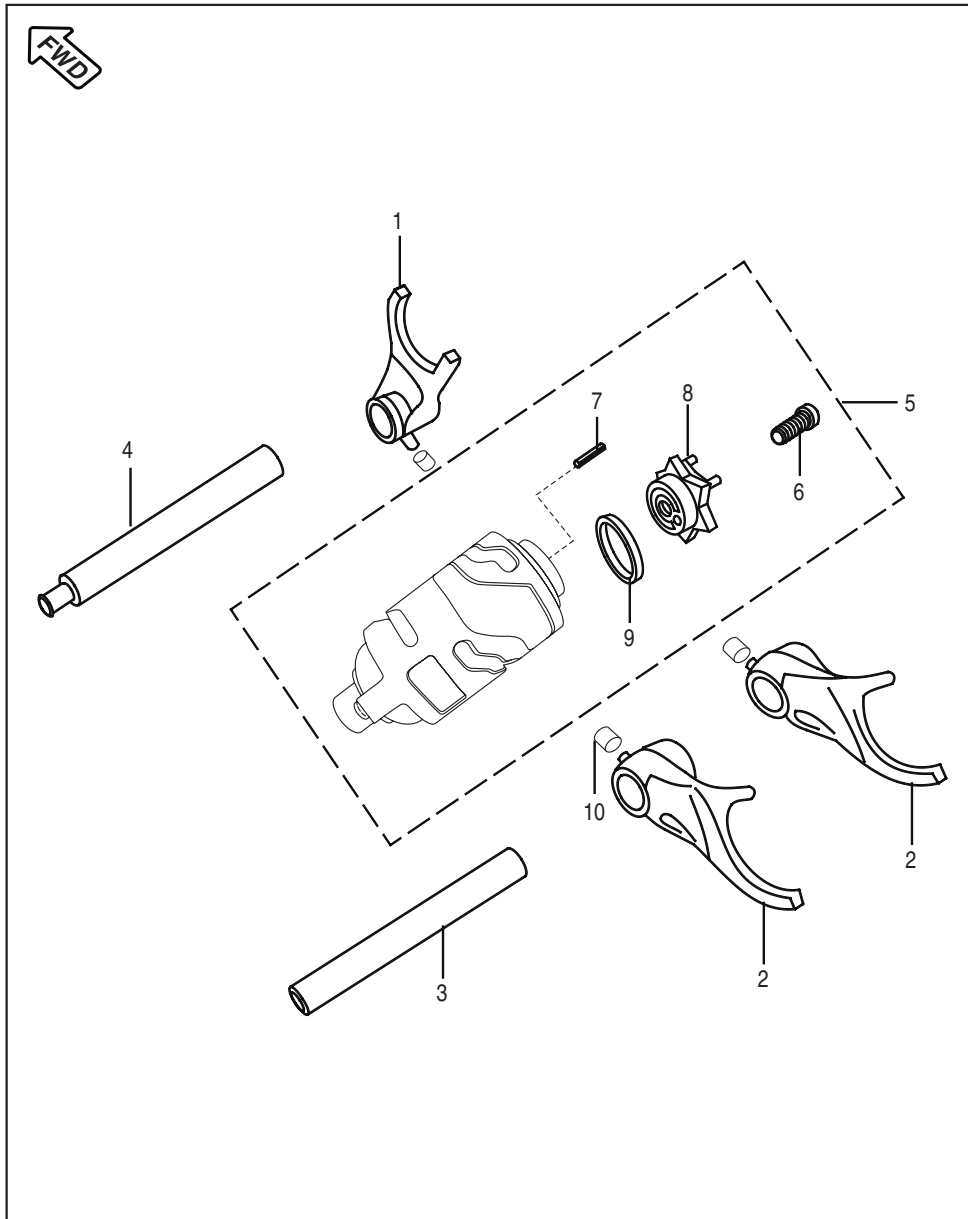
| No. | Part No.   | Description                      | Qty/Veh. | Remarks               |
|-----|------------|----------------------------------|----------|-----------------------|
| 1   | DH 1016 81 | Body Balancer Assly.             | 1        |                       |
|     | DH 1021 04 | Body Balancer Assly..            | 1        | F-29 dated 31/10/2012 |
| 2   | DH 1010 72 | Bearing Stopper                  | 1        |                       |
| 3   | 39 1672 04 | Bolt                             | 1        |                       |
| 4   | DH 1014 32 | Assly. Balancer Idler Gear Comp. | 1        |                       |
| 5   | 39 2152 20 | Needle Roller Bearing            | 2        |                       |
| 6   | DH 1014 24 | Spring Torsion Balancer Idler    | 2        |                       |
| 7   | 39 2557 17 | Circlip Ext.                     | 2        |                       |
| 8   | 39 1686 06 | Dowel Pin                        | 2        |                       |
| 9   | 39 1620 11 | Thrust Washer                    | 2        |                       |
| 10  | 52 DH01 77 | Balancer Idler Holder            | 1        |                       |
| 11  | 39 1674 04 | Bolt                             | 3        |                       |
| 12  | 59 2000 28 | Bearing                          | 1        | F-29 dated 31/10/2012 |

Transmission



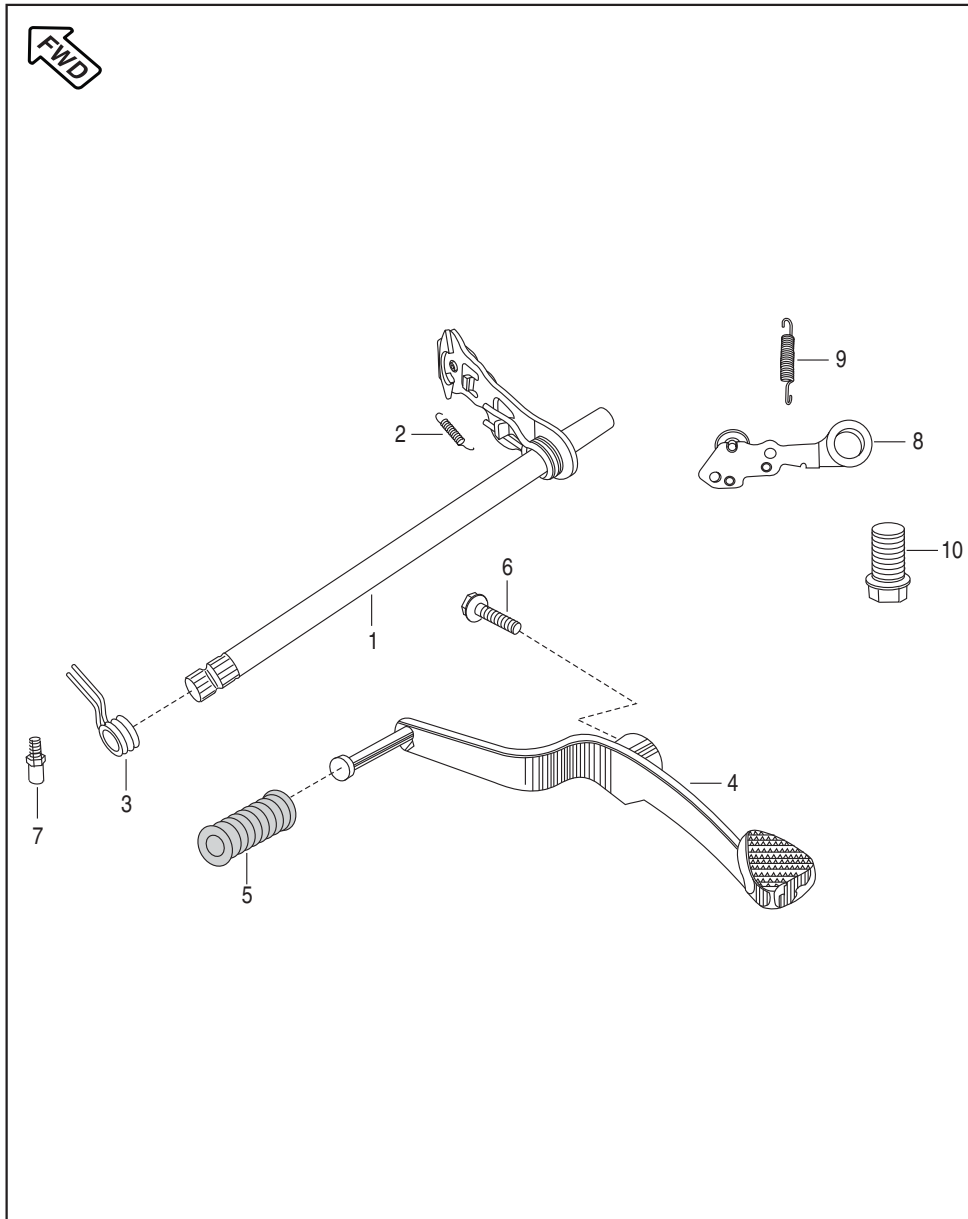
| No. | Part No.   | Description               | Qty/Veh. | Remarks |
|-----|------------|---------------------------|----------|---------|
| 1   | DK 1014 71 | Shaft Input Transmission  | 1        |         |
| 2   | 39 2158 11 | Plain Washer              | 1        |         |
| 3   | DH 1010 78 | Gear 4th Drive            | 1        |         |
| 4   | DH 1010 79 | Washer Spline             | 3        |         |
| 5   | DH 1012 35 | External Circlip          | 4        |         |
| 6   | DH 1010 80 | Gear 3rd Drive            | 1        |         |
| 7   | DH 1010 82 | Gear 5th Drive            | 1        |         |
| 8   | DH 1010 84 | Gear 2nd Drive            | 1        |         |
| 9   | 39 2160 11 | Plain Washer              | 1        |         |
| 10  | DH 1014 16 | Shaft Output Transmission | 1        |         |
| 11  | DH 1013 36 | Washer Thrust             | 2        |         |
| 12  | DH 1011 08 | Gear 3rd Driven           | 1        |         |
| 13  | 39 2159 11 | Plain Washer              | 1        |         |
| 14  | DH 1011 10 | Gear 4th Driven           | 1        |         |
| 15  | DH 1011 11 | Bush 1st Driven           | 1        |         |
| 16  | DJ 1011 10 | Gear 1st Driven           | 1        |         |
| 17  | DH 1011 13 | Gear 5th Driven           | 1        |         |
| 18  | DH 1013 19 | Bush 2nd Driven           | 1        |         |
| 19  | DH 1013 33 | Gear 2nd Driven           | 1        |         |
| 20  | DH 1013 34 | Collar Sprocket           | 1        |         |
| 21  | 30 1010 61 | 'O' Ring Sprocket Coller  | 1        |         |
| 22  | DH 1011 17 | Sprocket Drive            | 1        |         |
| 23  | DJ 1010 63 | Plate Drive Sproket       | 1        |         |
| 24  | 39 1062 04 | Bolt Drive Sprocket       | 2        |         |

Change Drum / Shaft Fork



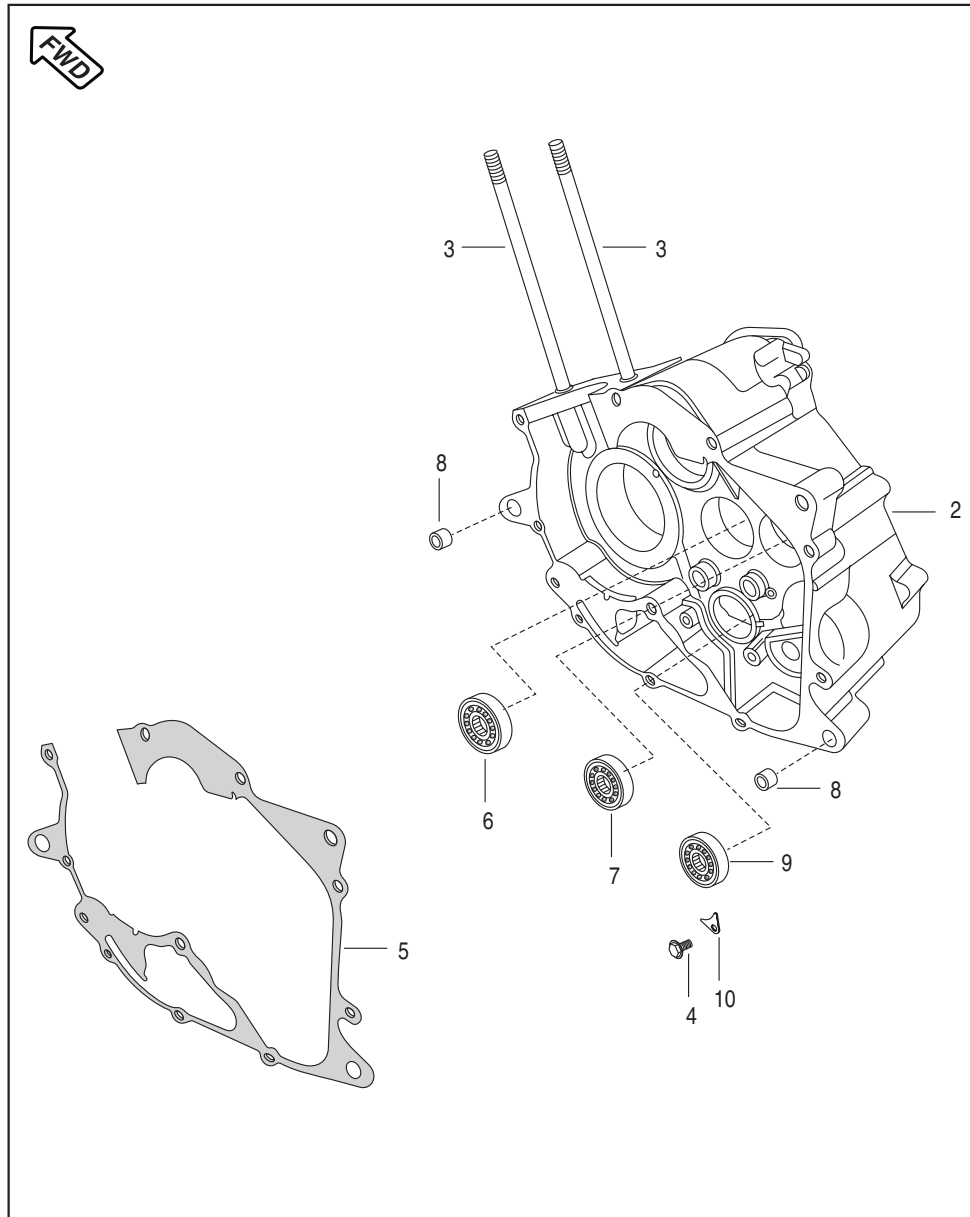
| No. | Part No.   | Description            | Qty/Veh. | Remarks               |
|-----|------------|------------------------|----------|-----------------------|
| 1   | DK 1011 59 | Fork Gear Shift Input  | 1        |                       |
| 2   | DK 1011 60 | Fork Gear Shift Output | 2        |                       |
| 3   | DH 1011 46 | Shaft Gear Shift Fork  | 1        |                       |
| 4   | DH 1014 93 | Shaft Gear Shift Fork  | 1        |                       |
| 5   | DK 1013 82 | Drum Comp. Gear Shift  | 1        |                       |
|     | DK 1017 32 | Drum Comp. Gear Shift  | 1        | C-42 dated 17/12/2012 |
| 6   | 39 2639 04 | Bolt Socket            | 1        |                       |
| 7   | 39 2606 07 | Parallel Pin           | 1        |                       |
| 8   | DK 1013 61 | Guide Gear Shifter     | 1        |                       |
| 9   | DH 1014 96 | Spacer                 | 1        |                       |
| 10  | DK 1011 35 | Bush Fork Gear Shift   | 3        |                       |

Gear Change Mechanism



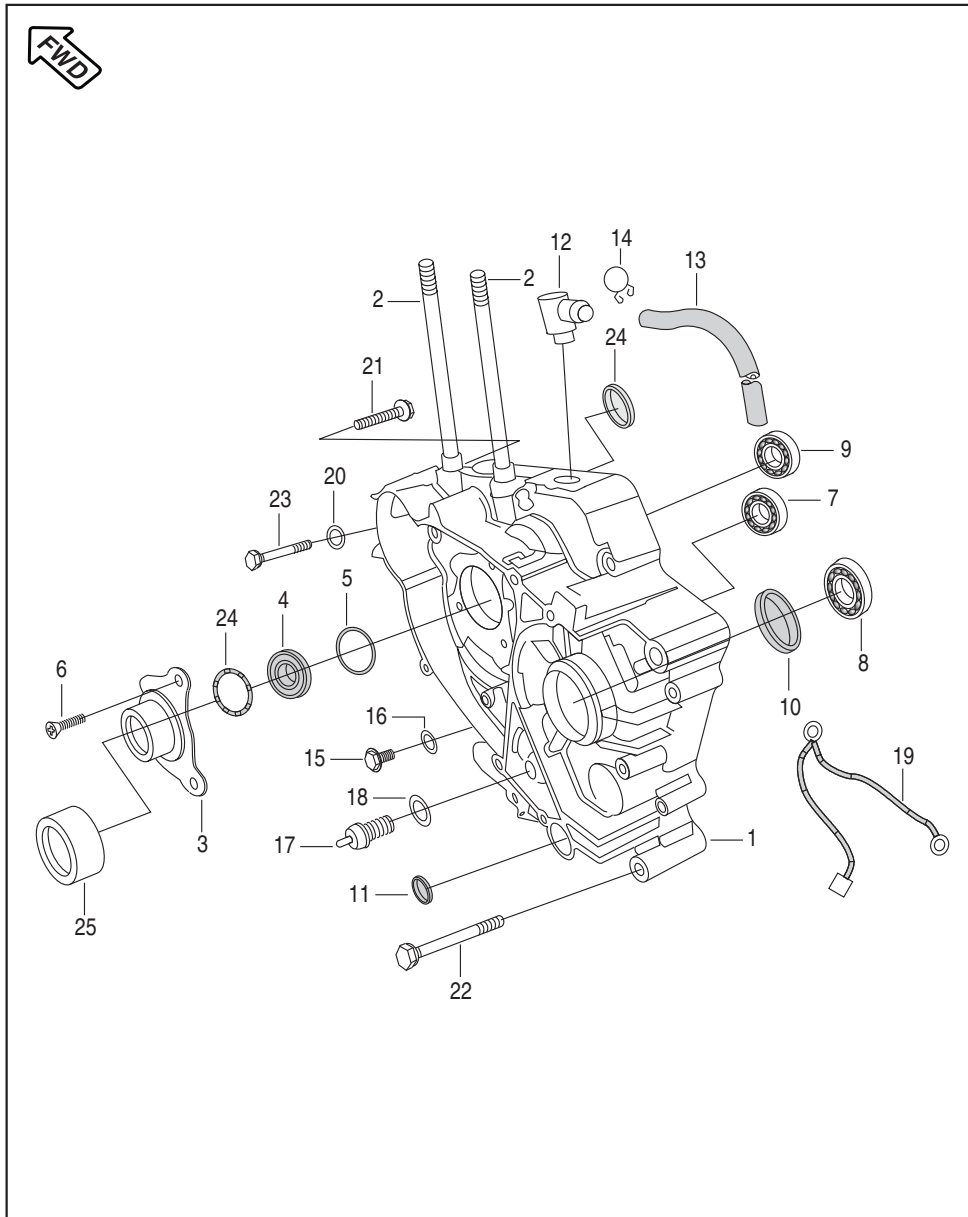
| No. | Part No.   | Description                      | Qty/Veh. | Remarks               |
|-----|------------|----------------------------------|----------|-----------------------|
| 1   | DH 1017 05 | Lever Comp. Gear Shifter         | 1        |                       |
|     | DK 1017 33 | Lever Comp. Gear Shifter         | 1        | C-42 dated 17/12/2012 |
| 2   | DH 1011 43 | Spring Slider Arm Reset          | 1        |                       |
| 3   | DH 1011 44 | Spring Gear Shifter Return       | 1        |                       |
|     | DK 1017 22 | Spring Gear Shifter Return       | 1        | C-42 dated 17/12/2012 |
| 4   | DH 1013 97 | Lever Comp. Change               | 1        |                       |
| 5   | DH 1015 09 | Damper                           | 1        |                       |
| 6   | 39 2453 04 | Flanged Bolt                     | 1        |                       |
| 7   | DH 1013 93 | Bolt Gear Shift Drum Stopper     | 1        |                       |
| 8   | DH 1015 03 | Stopper Gear Shifter Drum        | 1        |                       |
|     | DK 1017 25 | Stopper Gear Shifter Drum        | 1        | C-42 dated 17/12/2012 |
| 9   | DH 1015 02 | Spring Gear Shifter Drum Stopper | 1        |                       |
| 10  | DH 1013 94 | Bolt Shift Change                | 1        |                       |

Engine Assly. & Crankcase RH



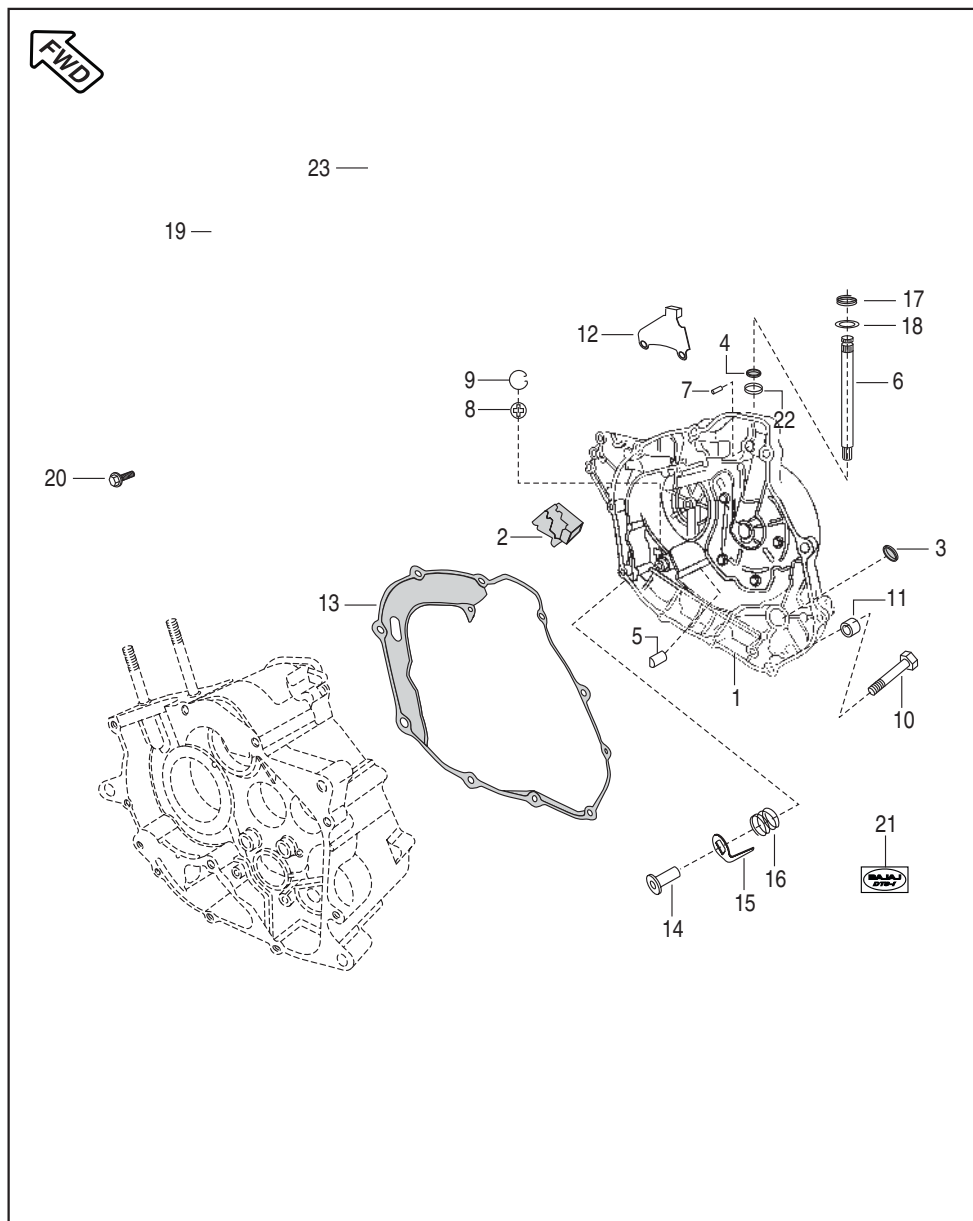
| No. | Part No.   | Description                      | Qty/Veh. | Remarks                                  |
|-----|------------|----------------------------------|----------|--|
| 1   | DH 1018 69 | Engine Assly. With Starter Motor | 1        | C-21 dated 29/01/2010<br>From 03.09.2011 |
|     | DH 1019 19 | Engine Assly. With Starter Motor | 1        |  |
|     | DH 1220 56 | Engine Assly. With Starter Motor | 1        |  |
| 2   | DJ 1012 13 | Crankcase RH                     | 1        |  |
| 3   | 39 2531 05 | Stud                             | 2        |  |
| 4   | 39 1062 04 | Bolt Flanged                     | 1        |  |
| 5   | DH 1010 06 | Gasket Crankcase                 | 1        |  |
| 6   | 39 2583 20 | Bearing Ball (For Input Shaft)   | 1        |  |
| 7   | 39 2602 20 | Bearing Ball (For Output Shaft)  | 1        |  |
| 8   | 39 2180 06 | Dowel Pin                        | 2        |  |
| 9   | 39 2601 20 | Ball Bearing                     | 1        | (For Dr. Comp.<br>Gear Shift)            |
| 10  | DH 1014 87 | Plate Stopper                    | 1        |  |

Crankcase LH

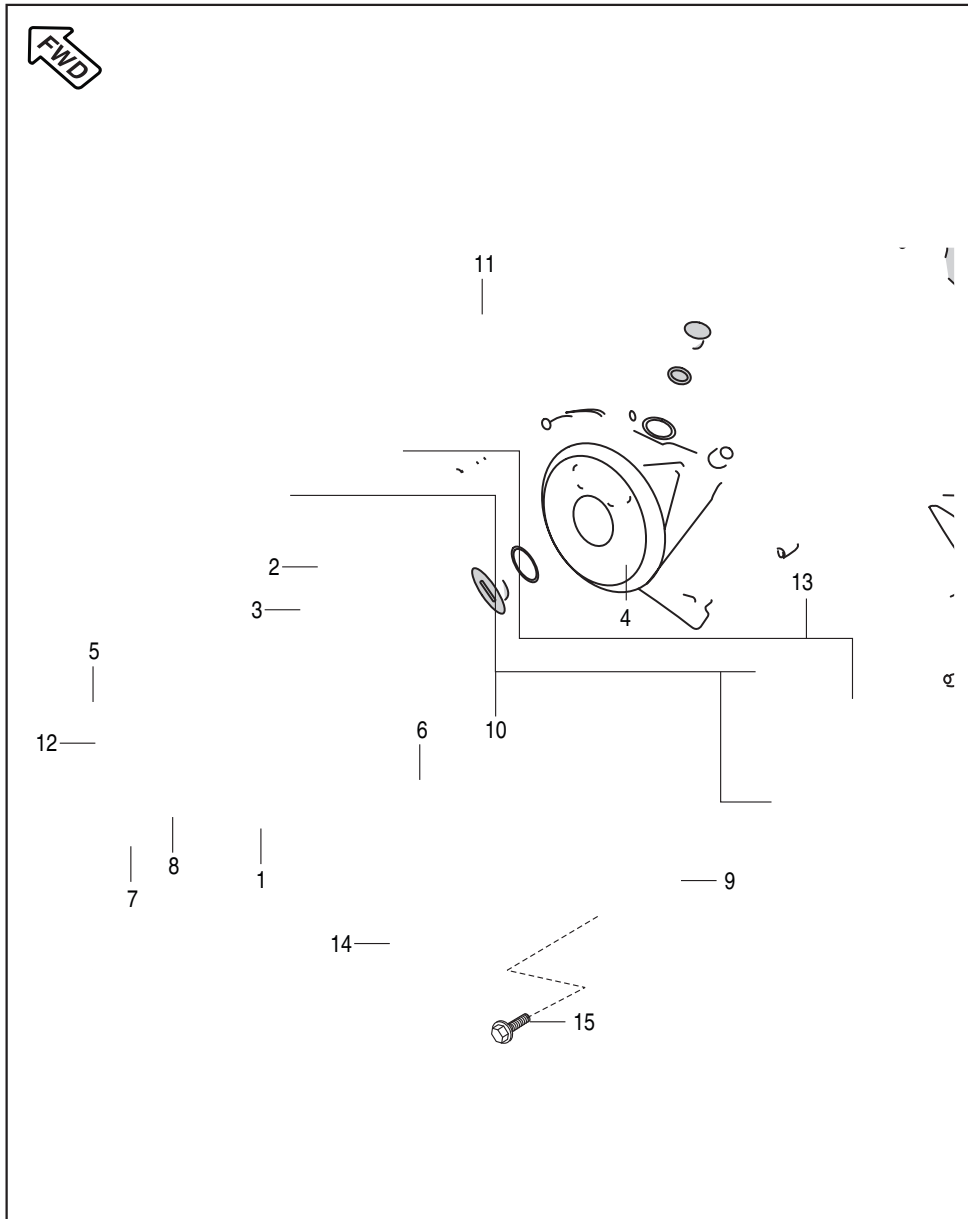


| No. | Part No.   | Description                     | Qty/Veh. | Remarks |
|-----|------------|---------------------------------|----------|---------|
| 1   | DJ 1013 44 | Crankcase LH                    | 1        |         |
| 2   | 39 2531 05 | Stud                            | 2        |         |
| 3   | DH 1016 54 | Guide Starter Assly             | 1        |         |
| 4   | 39 1715 19 | Oil Seal                        | 1        |         |
| 5   | DH 1014 23 | O' Ring                         | 1        |         |
| 6   | 39 0752 01 | C' Sunk Head Screw              | 3        |         |
| 7   | 39 2603 20 | Bearing Ball (for Input Shaft)  | 1        |         |
| 8   | 39 2583 20 | Bearing Ball (for Output Shaft) | 1        |         |
| 9   | 39 2185 20 | Balancer LH Bearing             | 1        |         |
| 10  | 39 2189 19 | Oil Seal (For Output Shaft)     | 1        |         |
| 11  | 39 2190 19 | Oil Seal (For Shift Lever)      | 1        |         |
| 12  | DH 1012 03 | Breather Pipe                   | 1        |         |
| 13  | DH 1012 46 | Rubber Tube                     | 1        |         |
| 14  | 28 1011 74 | Spring Clip                     | 1        |         |
| 15  | DH1016 61  | Plug (Drain Bolt)               | 1        |         |
| 16  | 31 1011 06 | Gasket (For Drain Bolt)         | 1        |         |
| 17  | DK 1013 80 | Switch Comp.(Neutral)           | 1        |         |
| 18  | DH 1017 84 | Gasket Neutral Switch           | 1        |         |
| 19  | DJ 2010 21 | Cable Assly. (Battery To Earth) | 1        |         |
| 20  | 39 2448 11 | Plain Washer                    | 1        |         |
| 21  | 39 1845 04 | Flanged Bolt                    | 1        |         |
| 22  | 39 1677 04 | Bolt                            | 8        |         |
| 23  | 39 2305 04 | Bolt                            | 1        |         |
| 24  | DH 1014 22 | Damper                          | 1        |         |
| 25  | DH 1011 69 | Bush Starter Gear Inner         | 1        |         |

Cover RH



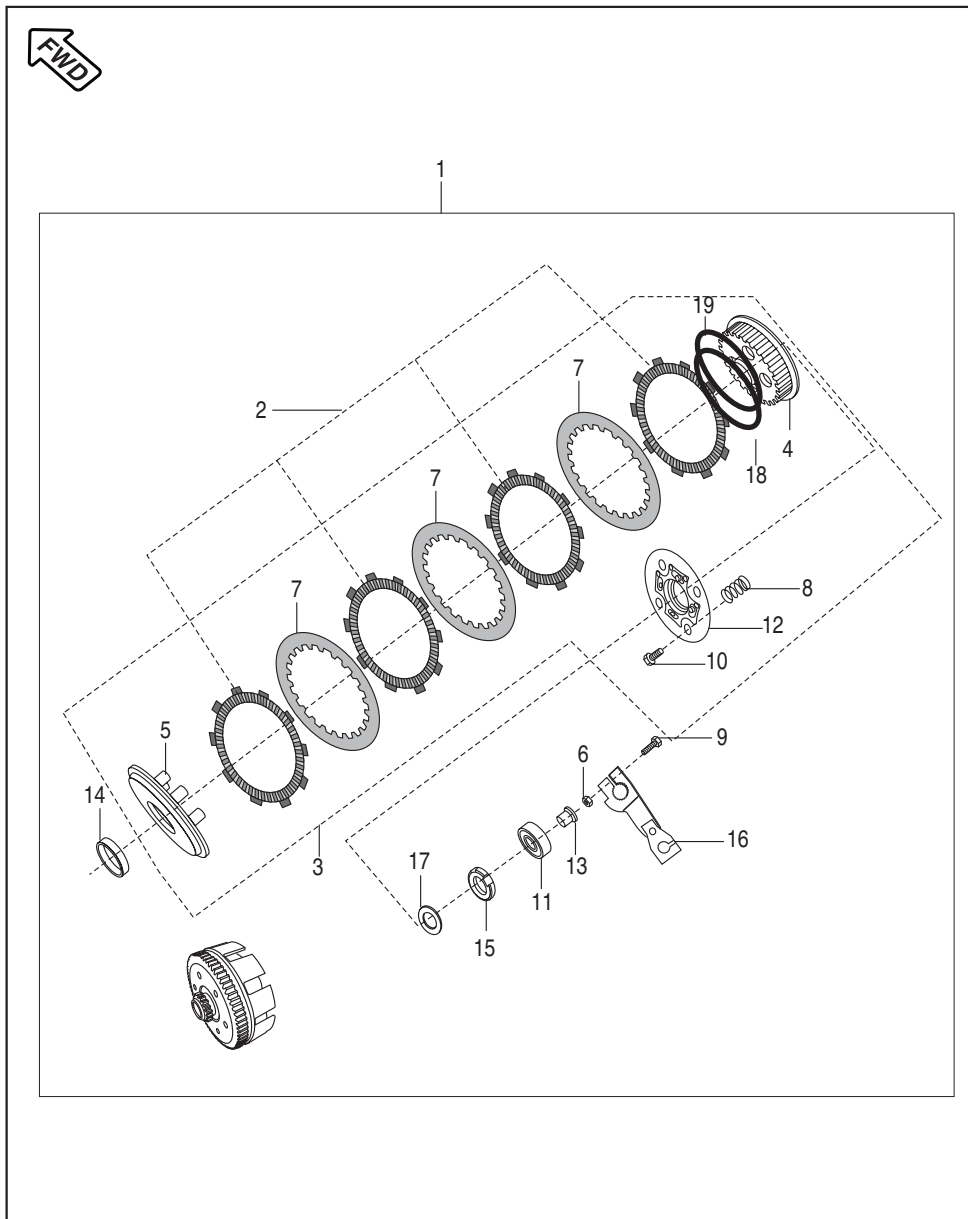
| No. | Part No.    | Description                   | Qty/Veh. | Remarks                     |
|-----|-------------|-------------------------------|----------|-----------------------------|
| 1   | 52 DJ 01 96 | Cover Comp RH                 | 1        |                             |
|     | 36 DH40 31  | Kit Cover Comp RH-Flower Type | 1        | From 01.12.2010             |
|     | 36 DH40 44  | Kit Asly Cl Cover Slv         | 1        | From 03.09.2011             |
| 2   | DH 1011 97  | Grommet Breather              | 1        |                             |
| 3   | 30 1011 42  | Seal Kick Shaft               | 1        |                             |
| 4   | 39 1041 19  | Seal Clutch Lever             | 1        |                             |
| 5   | DH 1011 41  | Rack                          | 1        |                             |
| 6   | DH 1011 42  | Shaft Clutch Release          | 1        |                             |
| 7   | 39 2202 07  | Parallel Pin                  | 1        |                             |
| 8   | DG 1014 18  | Gauge                         | 1        |                             |
| 9   | DS 1012 15  | Wire Circlip                  | 1        |                             |
| 10  | DS 1013 53  | Bolt                          | 10       |                             |
| 11  | 39 0999 06  | Pin Dowel                     | 2        |                             |
| 12  | DH 1010 18  | Bracket Clutch Cable          | 1        |                             |
| 13  | DH 1011 54  | Gasket Cover RH               | 1        |                             |
| 14  | DK 1014 80  | Plunger Oil                   | 1        |                             |
| 15  | DH 1210 11  | Plate Plunger Oil             | 1        |                             |
| 16  | DH 1210 12  | Spring Joint 'A'              | 1        |                             |
| 17  | DH 1015 44  | Spring Torsion Clutch Lever   | 1        |                             |
| 18  | 39 2443 11  | Washer                        | 1        |                             |
| 19  | DH 1015 10  | Damper Clutch Cover           | 1        |                             |
| 20  | 39 2208 04  | Flanged Bolt                  | 8        |                             |
| 21  | DS 1012 52  | 'BAJAJ' Decal                 | 1        | Fitted On Cover<br>Comp. RH |
|     | DK 1017 38  | Decal DTS-i                   | 1        | From 01.12.2010             |
| 22  | DS 1012 01  | Bushing                       | 1        |                             |
| 23  | DH 1014 82  | Plate Damper                  | 1        |                             |



### Cover Magneto

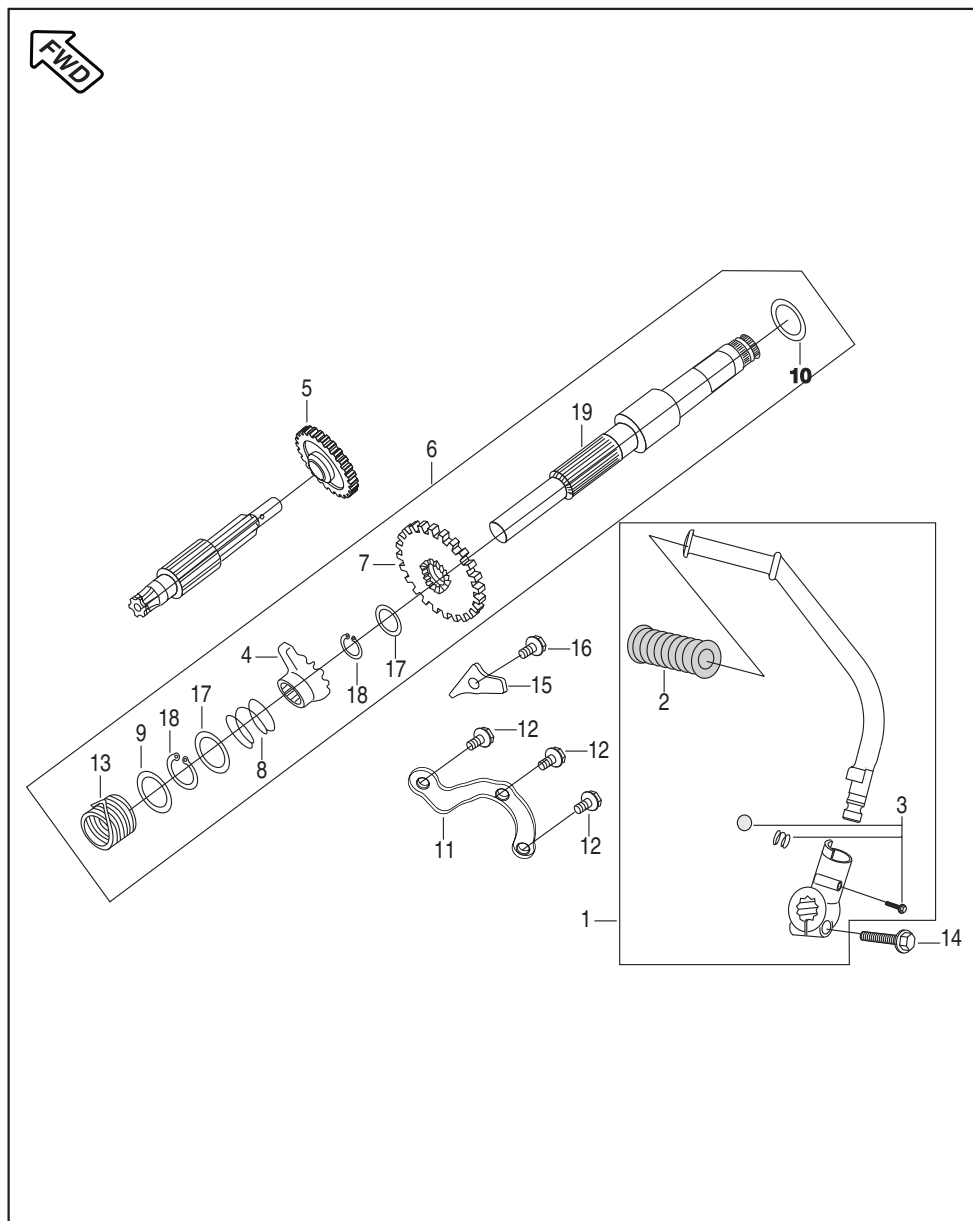
| No. | Part No.   | Description               | Qty/Veh. | Remarks                 |
|-----|------------|---------------------------|----------|-------------------------|
| 1   | DJ 1012 71 | Cover Magneto             | 1        |                         |
|     | 52 DH06 24 | Cover Magneto-Flower Type | 1        | From 01.12.2010         |
|     | 52 DH06 86 | Cover LH Asly Silver      | 1        | From 03.09.2011         |
| 2   | DH 1011 57 | Cap Timing Hole           | 1        |                         |
| 3   | 39 1283 21 | 'O' Ring                  | 1        |                         |
| 4   | DV 1010 42 | Gasket Magneto Cover      | 1        |                         |
| 5   | DS 1013 53 | Bolt                      | 5        |                         |
| 6   | 39 0999 06 | Pin Dowel                 | 2        |                         |
| 7   | DH 1011 57 | Cap Crank Center          | 1        |                         |
| 8   | 39 1283 21 | 'O' Ring                  | 1        | Alt To 39 2452 21       |
| 9   | DJ 1012 68 | Cover LH RR               | 1        |                         |
|     | 52 DH06 95 | Cover LH RR               | 1        | From 03.09.2011         |
| 10  | 36 DH10 06 | Set Damper                | 1        | Ref. Page No.107        |
| 11  | 39 2208 04 | Flanged Bolt              | 4        |                         |
| 12  | DH 1013 23 | 'BAJAJ' Decal             | 1        | Fitted On Cover Magneto |
|     | JE 5412 12 | Decal DTS-i               | 1        | From 01.12.2010         |
| 13  | 36 DH10 07 | Set Of Plate              | 1        | Ref. Page No.107        |
| 14  | DJ 1610 12 | Gear Shift Label          | 1        |                         |
| 15  | DS 1013 53 | Bolt                      | 2        |                         |

Clutch



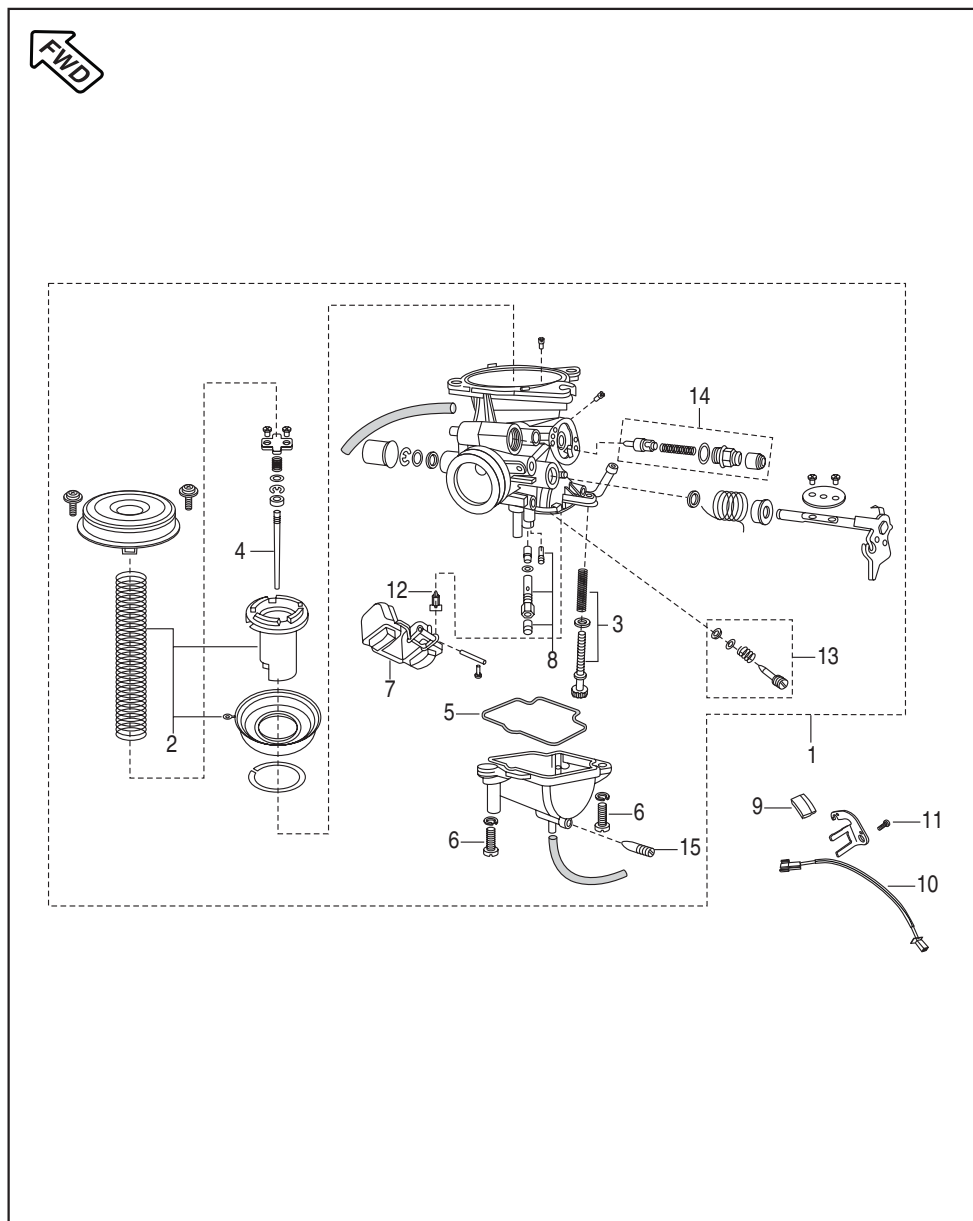
| No. | Part No.   | Description                  | Qty/Veh. | Remarks                     |
|-----|------------|------------------------------|----------|-----------------------------|
| 1   | DH 1018 53 | Clutch Assly. Complete       | 1        |                             |
| 2   | DH 1018 77 | Friction Clutch Plate Kit    | 1        |                             |
| 3   | DH 1018 60 | Clutch Plate Assly.          | 1        |                             |
| 4   | DH 1018 62 | Clutch Center                | 1        |                             |
| 5   | DK 1015 69 | Plate Clutch Pressure        | 1        |                             |
| 6   | DH 1012 75 | Special Nut                  | 1        |                             |
| 7   | DK 1015 65 | Plate Clutch                 | 4        |                             |
| 8   | DH 1018 61 | Spring Clutch Capacity       | 5        |                             |
| 9   | 39 1674 04 | Bolt                         | 1        |                             |
| 10  | Dk 1015 74 | Bolt                         | 5        |                             |
| 11  | 39 2617 20 | Bearing Clutch Lifter Thrust | 1        |                             |
|     | DH 1017 95 | Bearing Clutch Lifter Thrust | 1        |                             |
| 12  | DK 1015 73 | Holder Clutch                | 1        |                             |
| 13  | DH 1014 85 | Rod Clutch Lifter            | 1        |                             |
| 14  | DK 1011 26 | Spacer Clutch                | 1        |                             |
| 15  | DH 1016 48 | Nut Primary Drive Lock       | 1        | LH Thread                   |
| 16  | DH 1011 80 | Lever Assly. Clutch          | 1        |                             |
|     | DK 1016 36 | Lever Assly. Clutch          | 1        | From Engine No. DHGBSA16533 |
| 17  | 39 2200 11 | Washer Primary Drive Gear    | 1        |                             |
| 18  | DK 1015 70 | Seat Judder Spring           | 1        |                             |
| 19  | DK 1015 71 | Spring Judder                | 1        |                             |

Kick Starter Mechanism



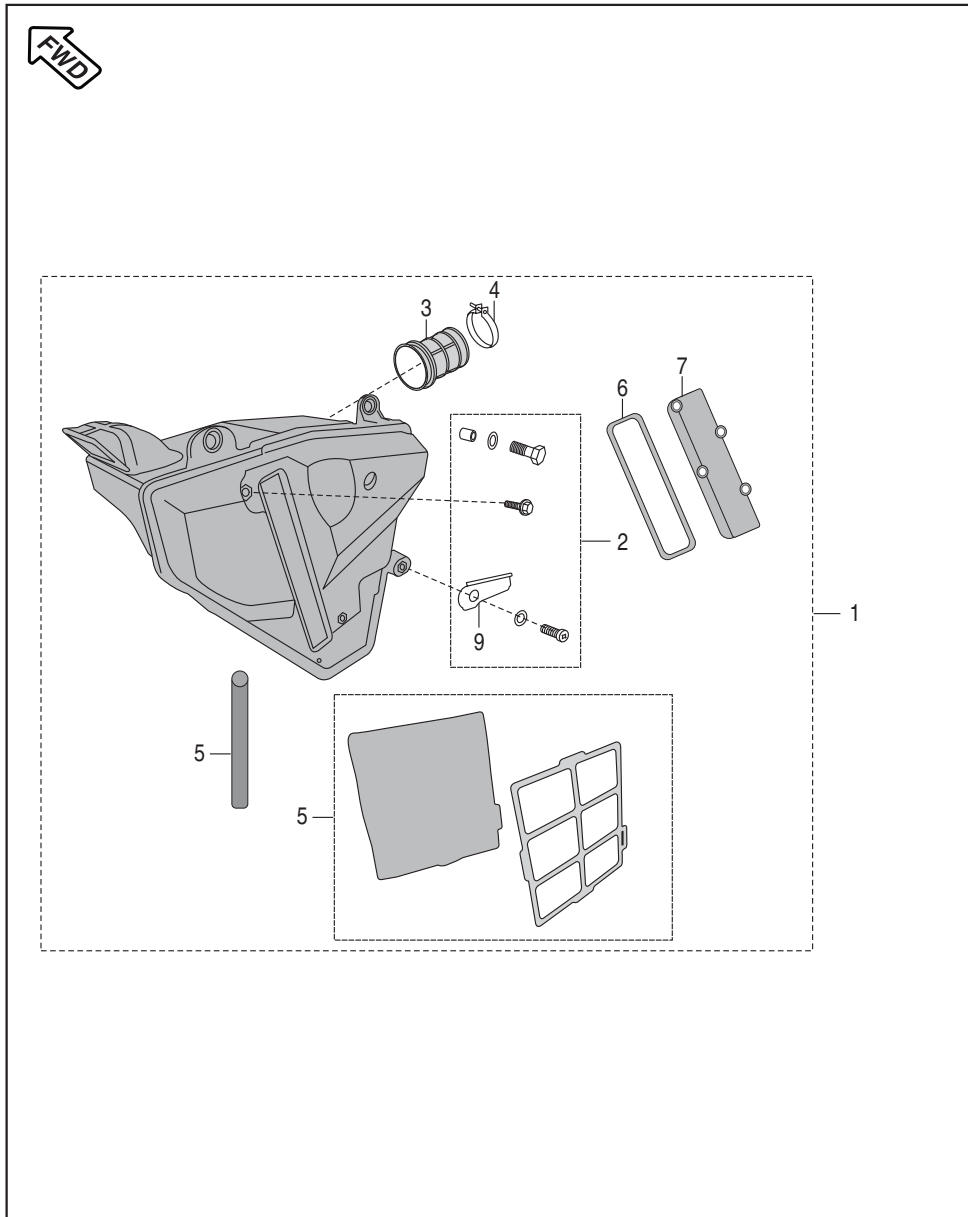
| No. | Part No.   | Description                     | Qty/Veh. | Remarks          |
|-----|------------|---------------------------------|----------|------------------|
| 1   | DH 1015 45 | Lever Kick Starter Complete     | 1        | Ref. Page No.107 |
| 2   | DD 1010 97 | Damper                          | 1        |                  |
| 3   | 36 DH10 08 | Boss Kick Set                   | 1        |                  |
| 4   | DH 1015 37 | Ratchet Kick Starter            | 1        |                  |
| 5   | DH 1015 31 | Gear Kick Idler                 | 1        |                  |
| 6   | DH 1015 40 | Spindle Kick Starter Assly      | 1        |                  |
| 7   | DH 1013 53 | Pinion Kick Starter             | 1        |                  |
| 8   | DH 1011 21 | Spring For Kick Starter Ratchet | 1        |                  |
| 9   | 39 0993 11 | Washer Thrust                   | 1        |                  |
| 10  | 39 2344 11 | Plain Washer                    | 1        |                  |
| 11  | DH 1015 36 | Guide Kick                      | 1        |                  |
| 12  | DH 1016 47 | Bolt Flanged                    | 3        |                  |
| 13  | DH 1011 25 | Spring Kick Starter Return      | 1        |                  |
| 14  | DH 1013 21 | Bolt Flange                     | 1        |                  |
| 15  | DH 1015 38 | Stopper                         | 1        |                  |
| 16  | DH 1013 85 | Bolt Flanged                    | 1        |                  |
| 17  | 39 2276 11 | Washer                          | 2        |                  |
| 18  | 39 0738 17 | Circlip                         | 2        |                  |
| 19  | DH 1015 39 | Spindle Kick Shaft              | 1        |                  |

Carburettor



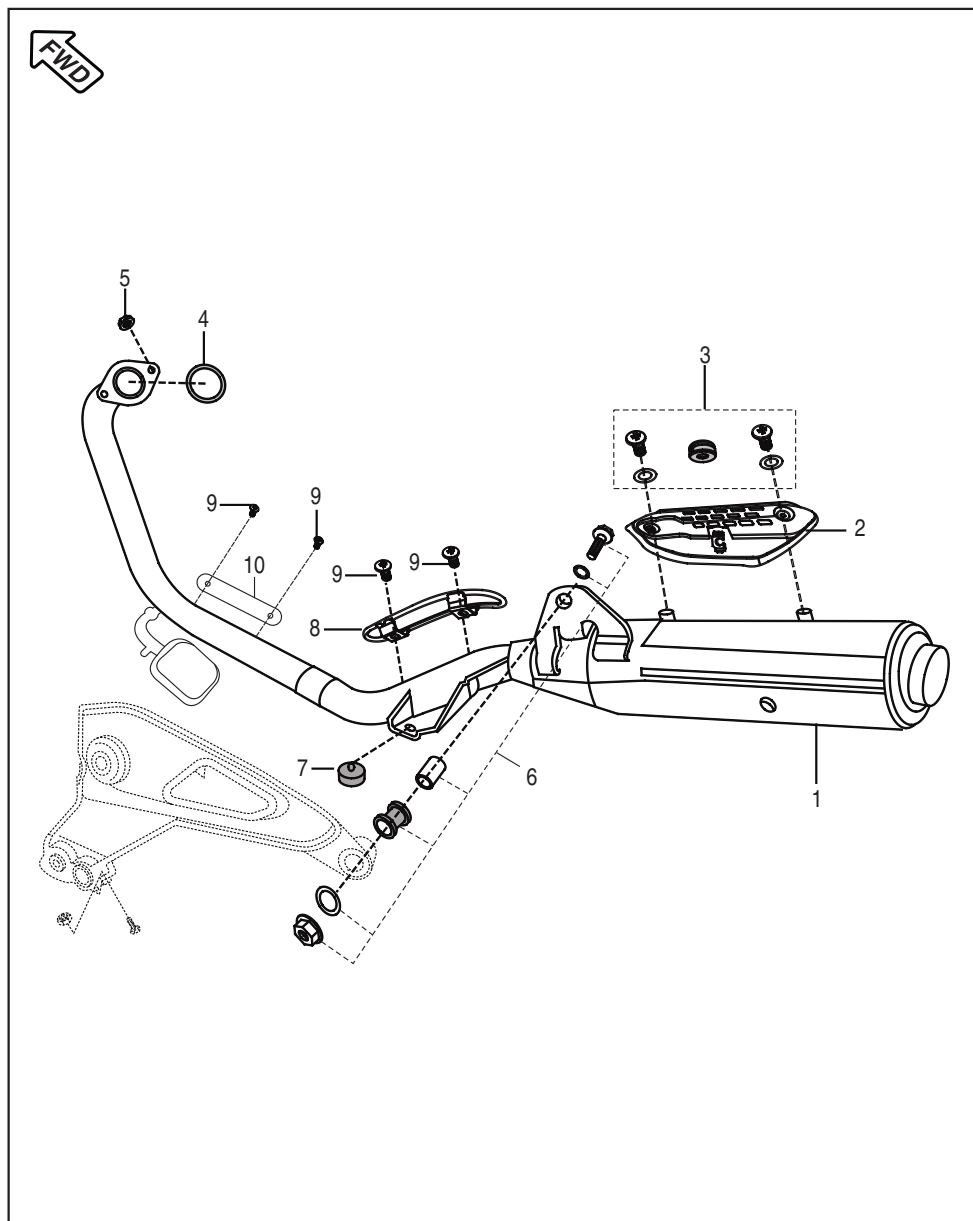
| No. | Part No.   | Description        | Qty/Veh. | Remarks               |
|-----|------------|--------------------|----------|-----------------------|
| 1   | DH 1211 38 | Carburettor Assly. | 1        |                       |
|     | DH 1211 54 | Carburettor Assly. | 1        | C-21 dated 29/01/2010 |
|     | DH 1211 88 | Carburettor Assly. | 1        | C-46 dated 31/03/2014 |
| 2   | DH 1211 48 | Vacuum Piston Kit  | 1        |                       |
|     | DH 1211 71 | Vacuum Piston Kit  | 1        | C-21 dated 29/01/2010 |
| 3   | DH 1211 49 | Idling Screw Kit   | 1        |                       |
|     | DH 1211 68 | Idling Screw Kit   | 1        | C-21 dated 29/01/2010 |
| 4   | DH 1211 41 | Jet Needle(jin)    | 1        |                       |
|     | DH 1211 73 | Jet Needle(jin)    | 1        | C-21 dated 29/01/2010 |
| 5   | DJ 1210 53 | "O" Ring           | 1        |                       |
| 6   | DJ 1210 54 | Screw              | 2        |                       |
|     | DH 1211 61 | Screw              | 2        | C-21 dated 29/01/2010 |
| 7   | DJ 1210 55 | Float Assly.       | 1        |                       |
|     | DH 1211 62 | Float Assly.       | 1        | C-21 dated 29/01/2010 |
| 8   | 36 DH12 03 | Jet Kit            | 1        |                       |
|     | DH 1211 66 | Jet Kit            | 1        | C-21 dated 29/01/2010 |
| 9   | DH 1211 01 | Magnet Assly.      | 1        | TPS Assly.            |
| 10  | DJ 1210 70 | Reed Switch Assly. | 1        | Parts                 |
| 11  | 39 1780 01 | Pan Head Screw     | 2        |                       |
| 12  | DH 1210 93 | Needle Assly.      | 1        |                       |
| 13  | DH 1211 50 | Set Adjuster       | 1        |                       |
| 14  | DJ 1210 49 | Set Plunger Assly. | 1        | Alt. Dj121059         |
| 15  | DH 1211 77 | Drain Screw        | 1        |                       |

Air Cleaner Complete



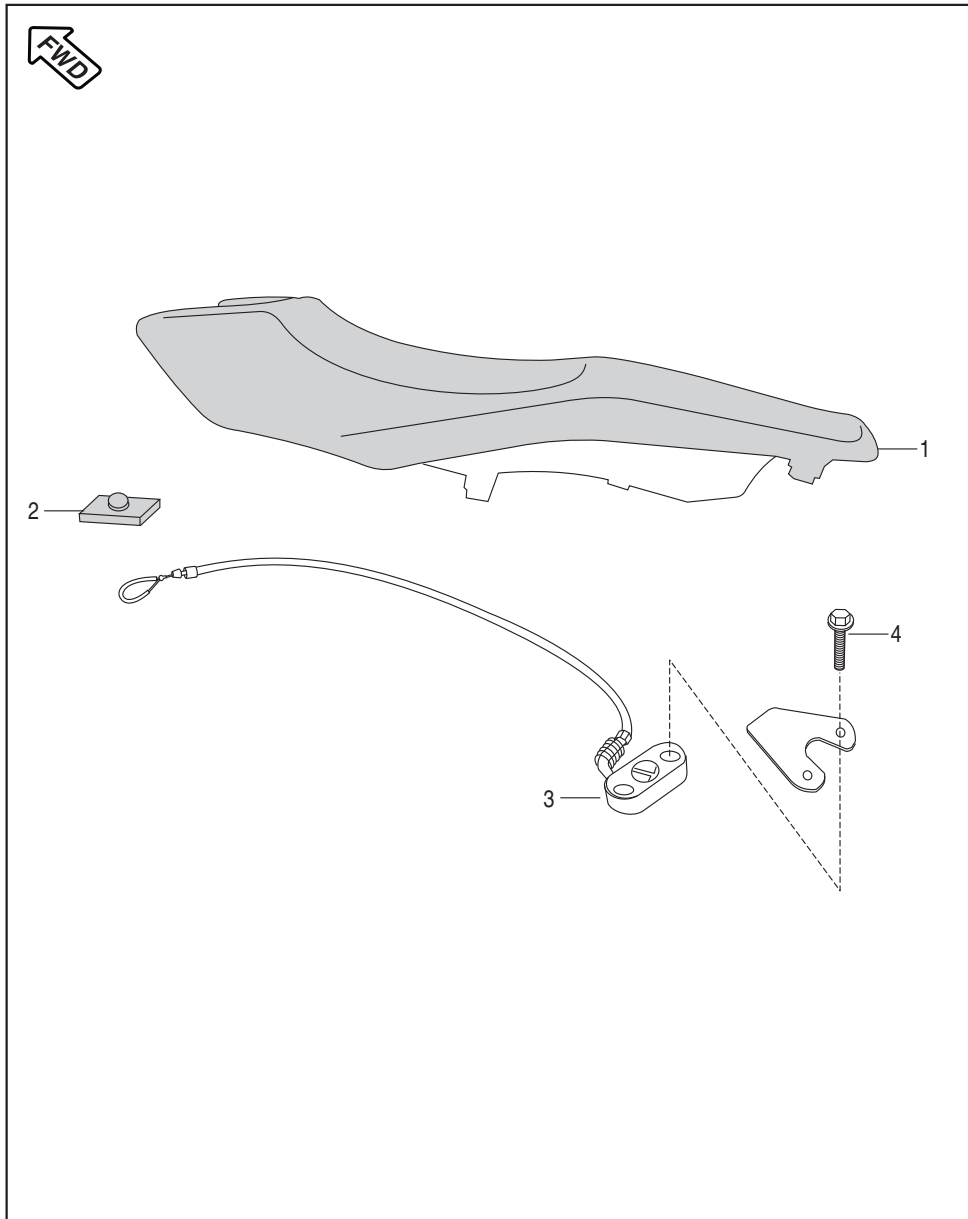
| No. | Part No.   | Description               | Qty/Veh. | Remarks                            |
|-----|------------|---------------------------|----------|------------------------------------|
| 1   | DH 1211 35 | Air Cleaner Comp          | 1        |                                    |
|     | DJ 1210 40 | Air Cleaner Comp          | 1        | C-21 dated 29/01/2010              |
|     | DH 1211 78 | Air Cleaner Comp          | 1        | From- 24.04.2011                   |
|     | DH 1211 89 | Air Cleaner Comp          | 1        | C-46 dated 31/03/2014              |
| 2   | 36 DH40 10 | Kit Hardware Air Cleaner  | 1        | Ref Page No.107                    |
| 3   | DH 1211 32 | Connecting Tube           | 1        |                                    |
|     | DJ 1210 39 | Connecting Tube           | 1        | C-21 dated 29/01/2010              |
| 4   | AA 1210 45 | Clamp                     | 1        |                                    |
|     | DH 1211 90 | Clamp                     | 1        | C-46 dated 31/03/2014              |
| 5   | 36 DK00 15 | Kit Element Air Filter    | 1        | (Fine & Coarse)<br>Ref Page No.108 |
| 6   | DK 1210 15 | 'O' ring Air Filter Cover | 1        |                                    |
| 7   | DK 1210 08 | Filter Air Element Cover  | 1        |                                    |
| 8   | DS 1211 17 | Drain Tube                | 1        |                                    |
| 9   | DH 1614 16 | Side Cover Lock Bracket   | 1        | F-37 dated 17/08/2013              |

Silencer Assembly



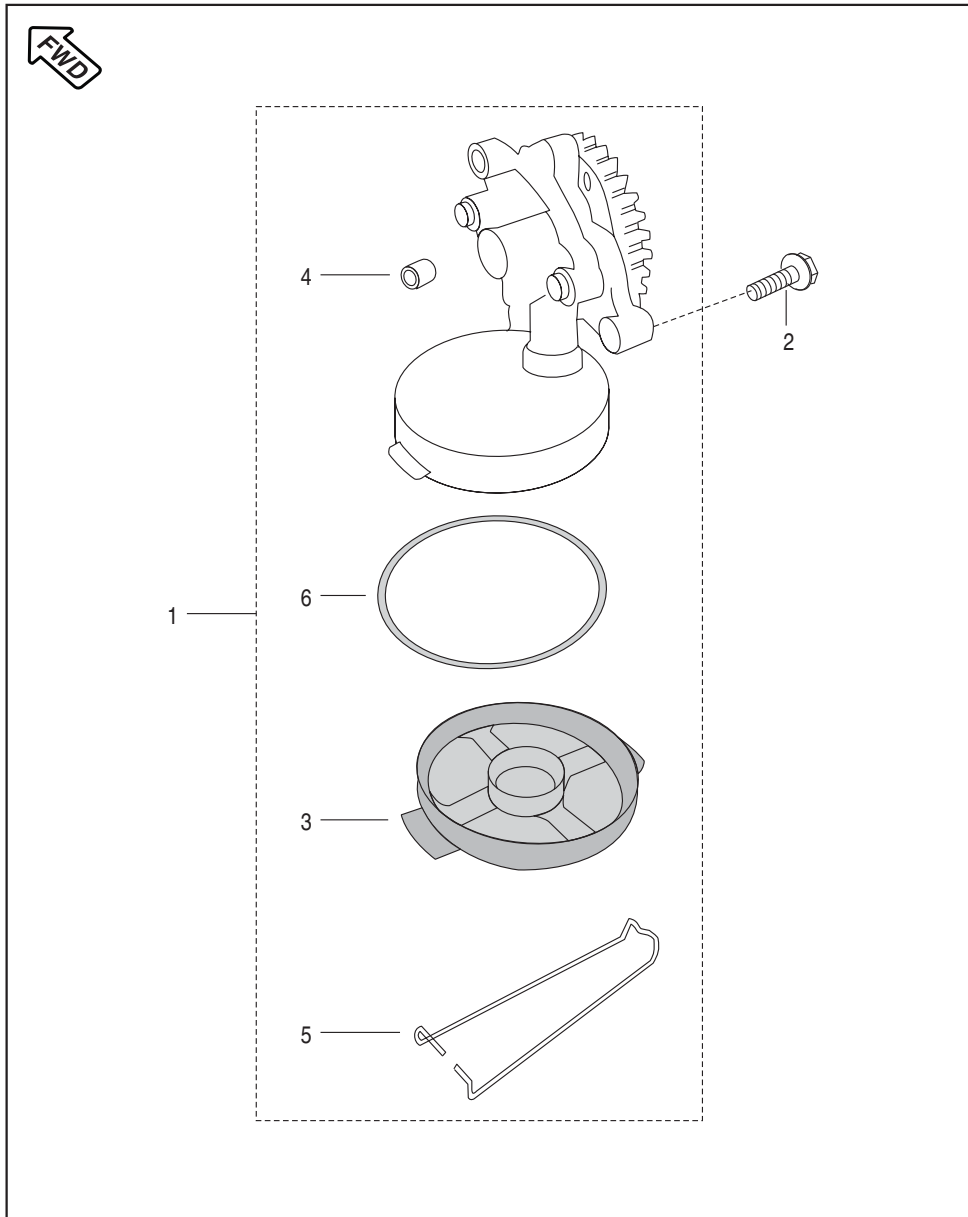
| No. | Part No.   | Description                  | Qty/Veh. | Remarks               |
|-----|------------|------------------------------|----------|-----------------------|
| 1   | DJ 1013 36 | Silencer W/O Shield With Cat | 1        |                       |
|     | DH 1019 26 | Silencer W/O Shield With Cat | 1        | C-21 dated 29/01/2010 |
| 2   | DH 1014 68 | Shield Muffler               | 1        |                       |
| 3   | 36 DH40 11 | Kit Hardware Shield          | 1        | Ref Page No.108       |
| 4   | DJ 1010 64 | Gasket Exhaust               | 1        |                       |
| 5   | 39 1970 15 | Flanged Nut                  | 2        |                       |
| 6   | 36 DK00 09 | Kit Hardware Silencer        | 1        | Ref Page No.108       |
| 7   | DG 1611 24 | Damper (main Stand)          | 1        |                       |
| 8   | DH 1015 21 | Wire Shield Assly.           | 1        |                       |
| 9   | DH 1016 07 | Truss Screw                  | 4        |                       |
| 10  | DH 1017 59 | Shield Tube                  | 1        |                       |

Seat Assembly / Seat Lock



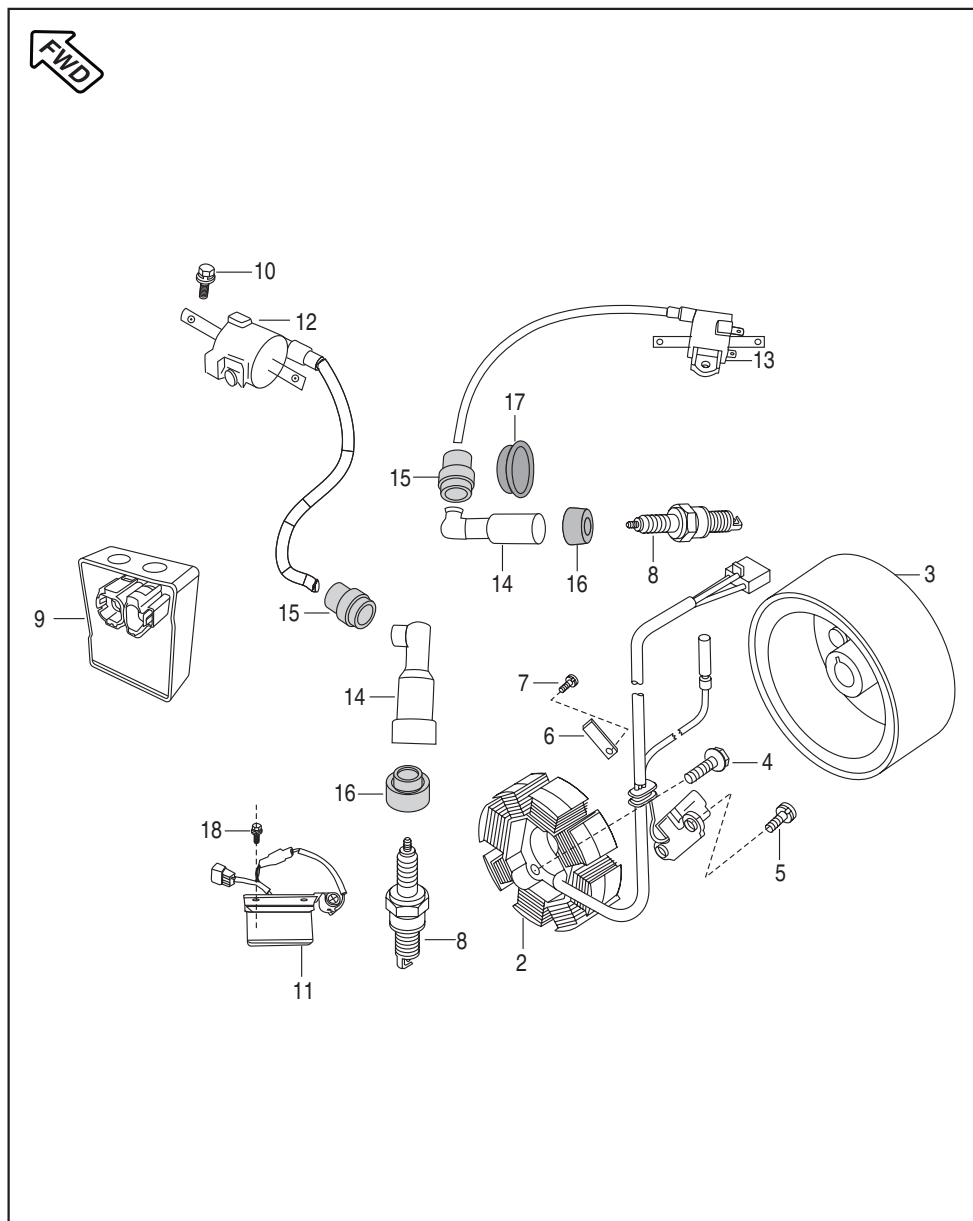
| No. | Part No.   | Description     | Qty/Veh. | Remarks |
|-----|------------|-----------------|----------|---------|
| 1   | DJ 2110 03 | Seat Assly Comp | 1        |         |
| 2   | DK 2110 07 | Damper Kit      | 1        |         |
| 3   | DJ 2110 06 | Lock Assly Seat | 1        |         |
| 4   | 39 1902 04 | Flanged Bolt    | 2        |         |

Oil Pump



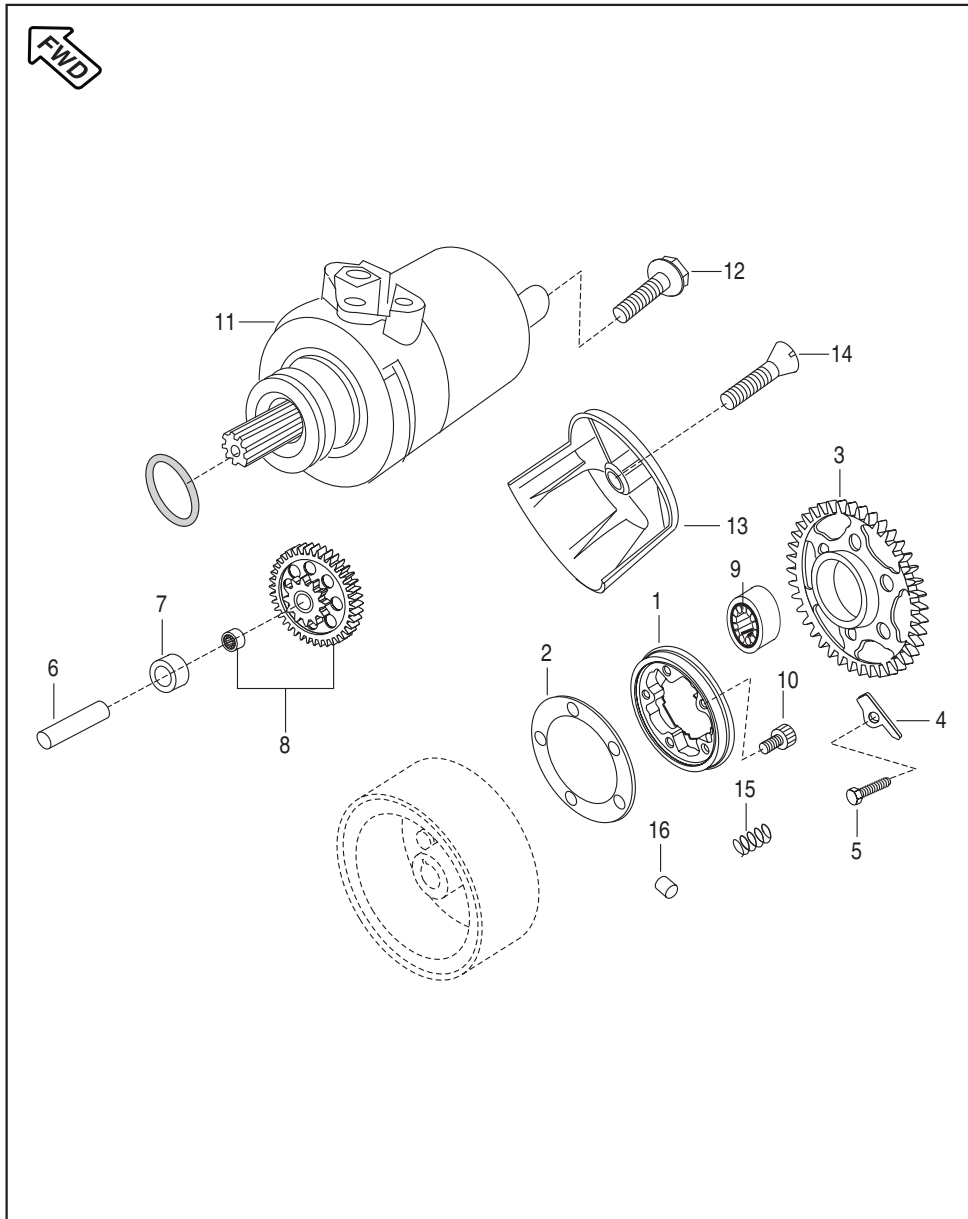
| No. | Part No.   | Description           | Qty/Veh. | Remarks |
|-----|------------|-----------------------|----------|---------|
| 1   | DH 1210 01 | Oil Pump Assly        | 1        |         |
| 2   | 39 1674 04 | Hex. Bolt With Flange | 3        |         |
| 3   | DH 1210 10 | Mesh Filter Oil Pump  | 1        |         |
| 4   | 39 1686 06 | Hollow Dowel Pin      | 1        |         |
| 5   | DH 1210 35 | Clip Mesh Oil Filter  | 1        |         |
| 6   | 39 2194 21 | 'O' Ring              | 1        |         |

Magneto, CDI & H.T. Coil



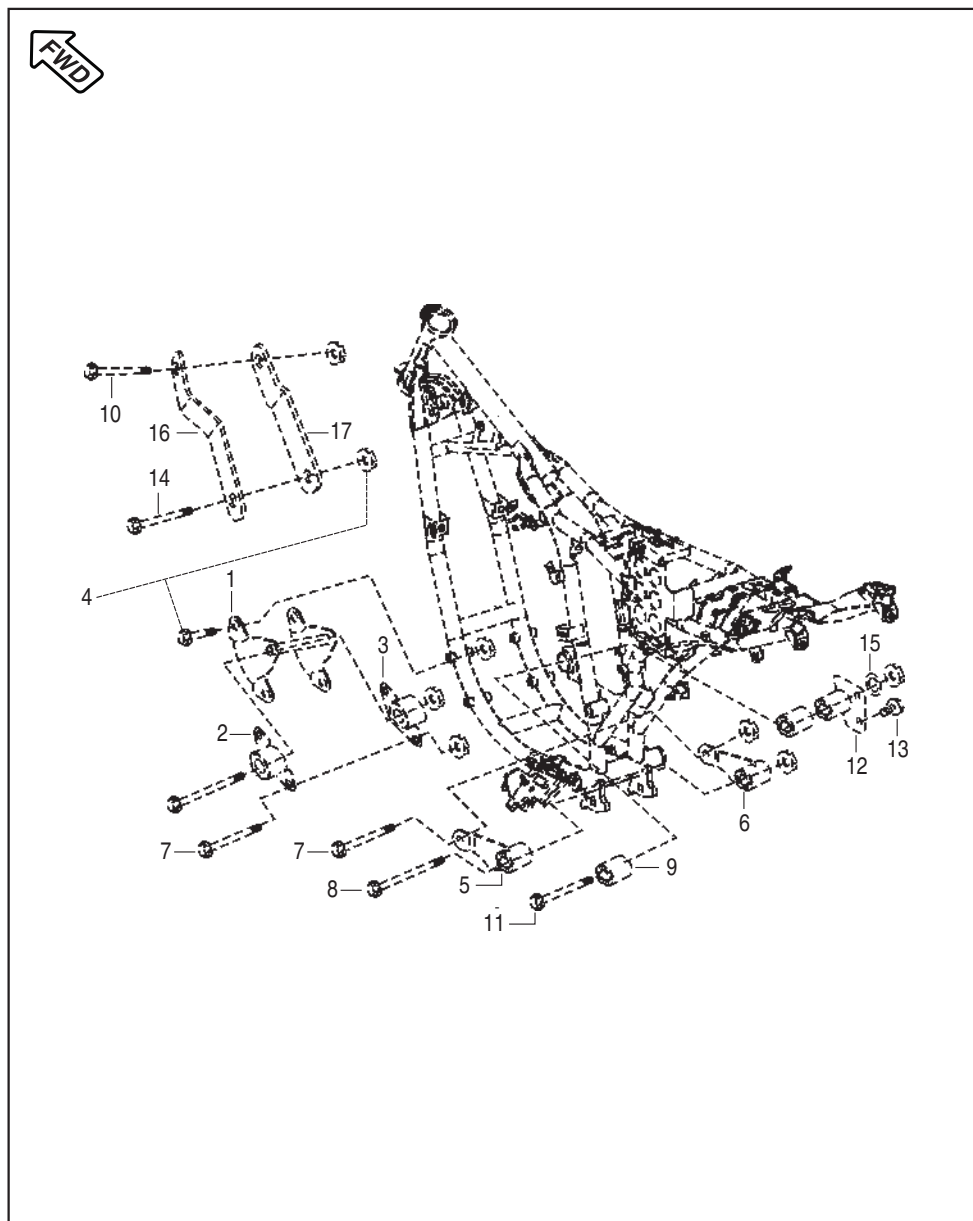
| No. | Part No.   | Description                    | Qty/Veh. | Remarks               |
|-----|------------|--------------------------------|----------|-----------------------|
| 1   | 59 1000 02 | Spring Dowel Sleeve            | 1        | N.I.                  |
| 2   | DH 1110 81 | Stator Assly. Comp             | 1        |                       |
| 3   | DH 1110 83 | Rotor Assly.                   | 1        |                       |
| 4   | DH 1013 86 | Hex. Bolt With Flange          | 2        |                       |
| 5   | DH 1013 81 | Pan Head Screw                 | 2        |                       |
| 6   | DH 1011 99 | Stopper Plate (wiring Harness) | 1        |                       |
| 7   | DH 1013 80 | Screw Pan Head                 | 1        |                       |
| 8   | DG 1110 08 | Spark Plug                     | 2        |                       |
| 9   | DH 1110 72 | C.D.I. Assly.                  | 1        |                       |
| 10  | 39 1944 04 | Flange Bolt                    | 4        |                       |
| 11  | DJ 2012 02 | DC Regulator With Capacitor    | 1        | With Aluminum Bracket |
| 12  | DH 1110 77 | H.T. Coil LH With Cable        | 1        |                       |
| 13  | DH 1110 78 | H.T. Coil RH With Cable        | 1        |                       |
| 14  | DH 1110 15 | Cap Spark Plug                 | 2        |                       |
| 15  | DD 1110 12 | Grommet H.T. Cable             | 2        |                       |
| 16  | DH 1110 13 | Grommet Spark Plug Cape        | 2        |                       |
| 17  | DH 1110 16 | Grommet Sleeve Spark Plug      | 1        |                       |
| 18  | DD 2010 24 | Flange Bolt                    | 2        |                       |

Starter Assembly (For Self Start)



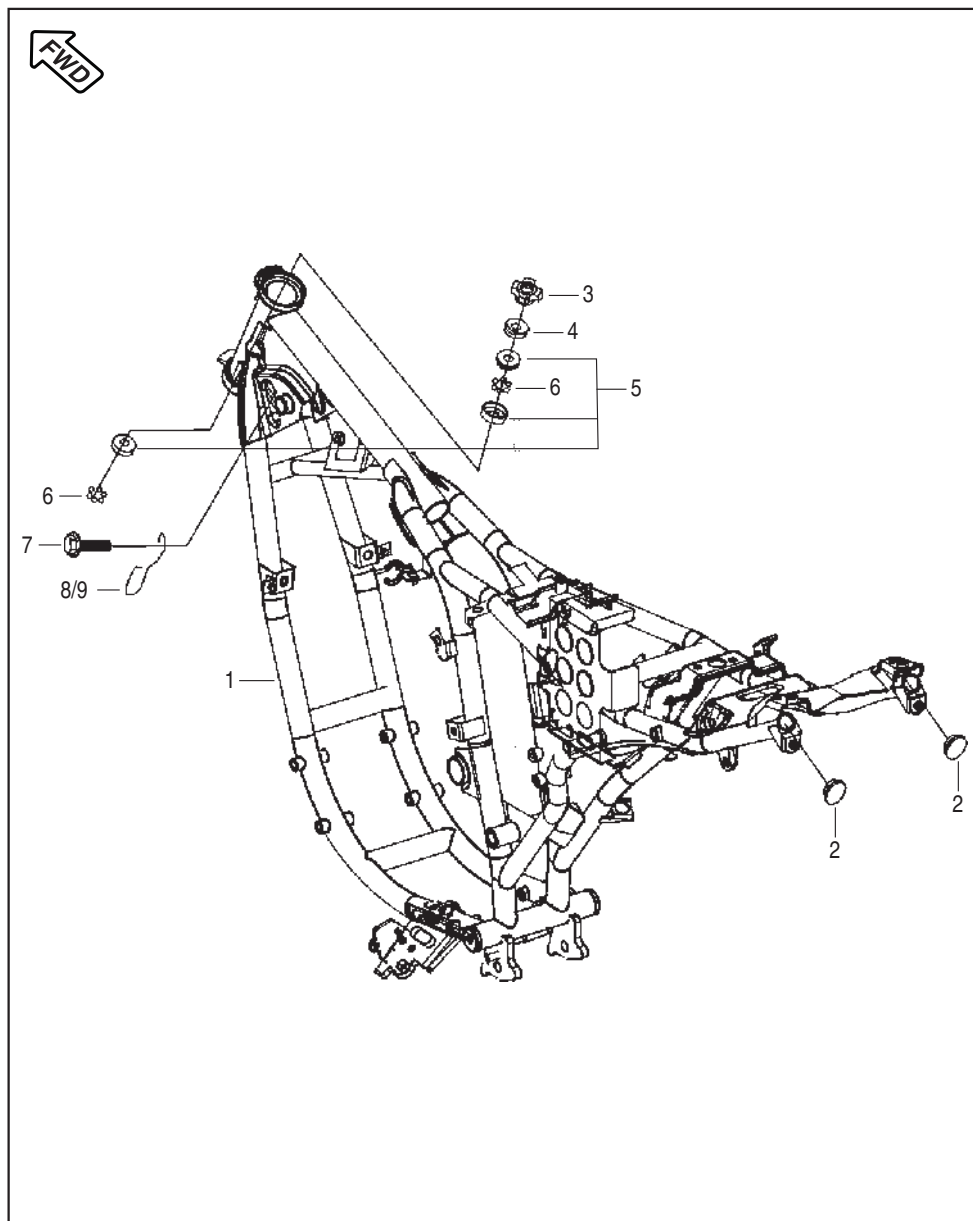
| No. | Part No.   | Description                       | Qty/Veh. | Remarks           |
|-----|------------|-----------------------------------|----------|-------------------|
| 1   | DK 1015 95 | Body Comp. Starter Clutch         | 1        |                   |
| 2   | DK 1016 05 | Plate Roller Clutch               | 1        |                   |
| 3   | JC 1011 14 | Gear Starter Clutch               | 1        |                   |
| 4   | DK 1016 05 | Plate Starter Clutch Gear Return  | 1        |                   |
| 5   | DH 1013 85 | Bolt                              | 1        | For Stopper Plate |
| 6   | DK 1011 76 | Shaft Starter Counter             | 1        |                   |
| 7   | DH 1011 72 | Collar Starter Counter            | 1        |                   |
| 8   | JC 1011 15 | Gear Comp. Starter Counter Assly. | 1        |                   |
| 9   | 59 2000 07 | Needle Roller Bearing             | 1        |                   |
| 10  | DH 1013 82 | Bolt Socket                       | 3        | N.I.              |
| 11  | DH 1110 84 | Motor Assly. Starter              | 1        |                   |
| 12  | DS 1013 53 | Bolt                              | 2        |                   |
| 13  | 52 DH01 53 | Cover Starter Motor               | 1        |                   |
|     | DK 1017 70 | Cover Starter Motor               | 1        | From 03.09.2011   |
| 14  | DH 1013 89 | Slotted C'sunk Screw              | 1        |                   |
| 15  | DK 1015 96 | Spring                            | 5        |                   |
| 16  | DH 1011 63 | Roller                            | 5        |                   |
| 17  | 59 1000 02 | Spring dowl                       | 1        | N.I.              |
| 18  | 39 0849 14 | Washer Lock-Toothed               | 3        | N.I.              |

Engine Mountings



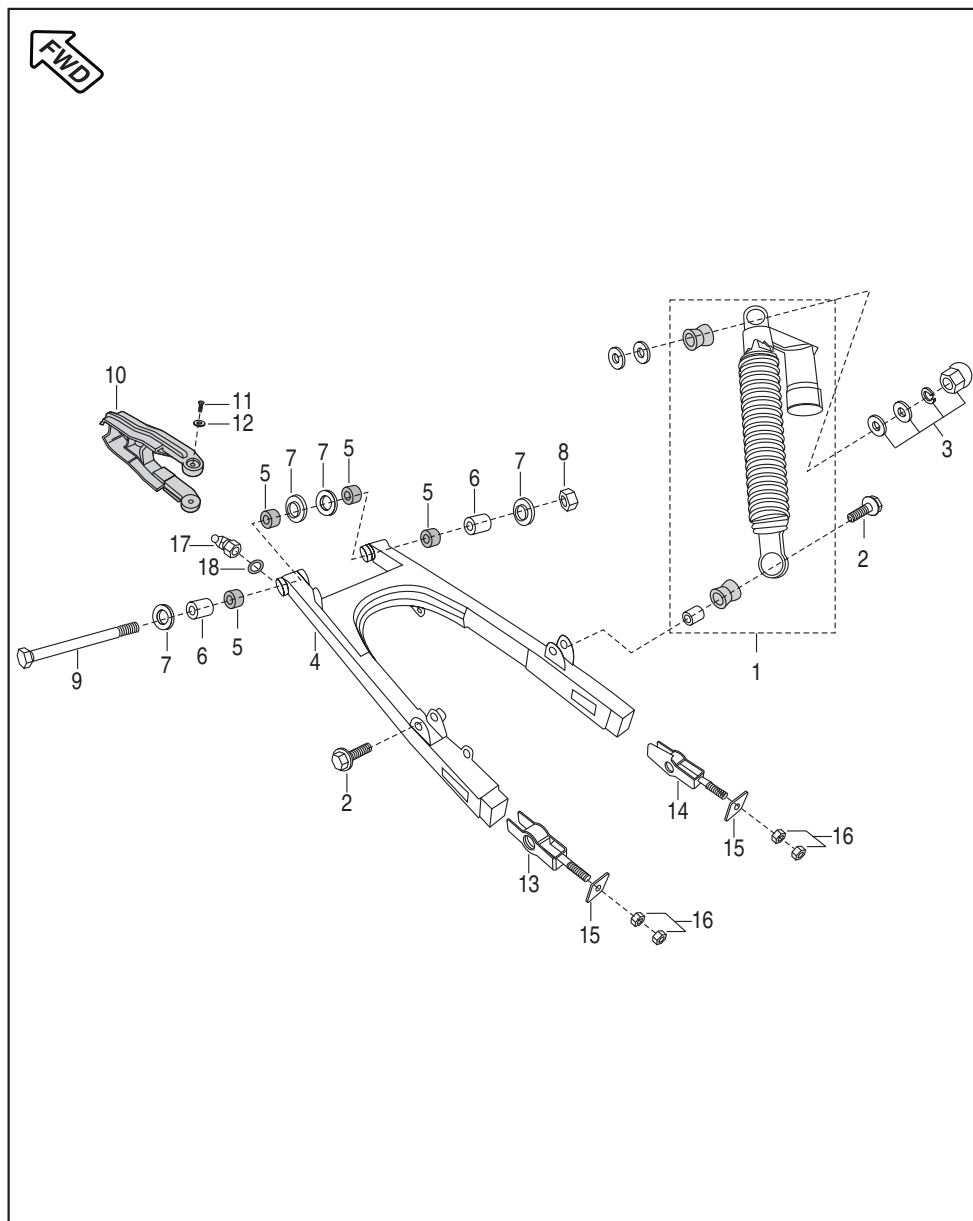
| No. | Part No.   | Description                  | Qty/Veh. | Remarks         |
|-----|------------|------------------------------|----------|-----------------|
| 1   | DH 1611 70 | Bkt. Assly.eng.mtg.front     | 1        |                 |
| 2   | DH 1612 68 | Bkt. Comp.LH Eng.mtg.front   | 1        |                 |
| 3   | DH 1612 69 | Bkt. Comp.RH Eng.mtg.front   | 1        |                 |
| 4   | 36 DK00 11 | Kit Hardware Eng. Mounting   | 1        |                 |
| 5   | DJ 1611 14 | Bkt. Comp. LH Eng.mtg. Lower | 1        |                 |
| 6   | DJ 1611 15 | Bkt. Comp. RH Eng.mtg. Lower | 1        |                 |
| 7   | 39 2157 04 | Bolt Flanged                 | 3        |                 |
| 8   | 39 2412 04 | Bolt Flanged                 | 1        | Alt. 39 2311 04 |
| 9   | DH 1612 73 | Bush In Frame                | 1        |                 |
| 10  | 39 1967 04 | Bolt                         | 1        |                 |
| 11  | 39 2414 04 | Hex.soc.HD.cap Bolt          | 1        |                 |
| 12  | DH 1613 01 | Bkt.comp.RH Eng.rear         | 1        |                 |
| 13  | 39 2310 04 | Flanged Bolt                 | 2        |                 |
| 14  | 39 2311 04 | Bolt                         | 1        |                 |
| 15  | 39 2457 11 | Washer                       | 1        |                 |
| 16  | DJ 1610 88 | Bracket LH Engine Hanger     | 1        |                 |
| 17  | DJ 1610 89 | Bracket RH Engine Hanger     | 1        |                 |

Frame and Frame Fittings



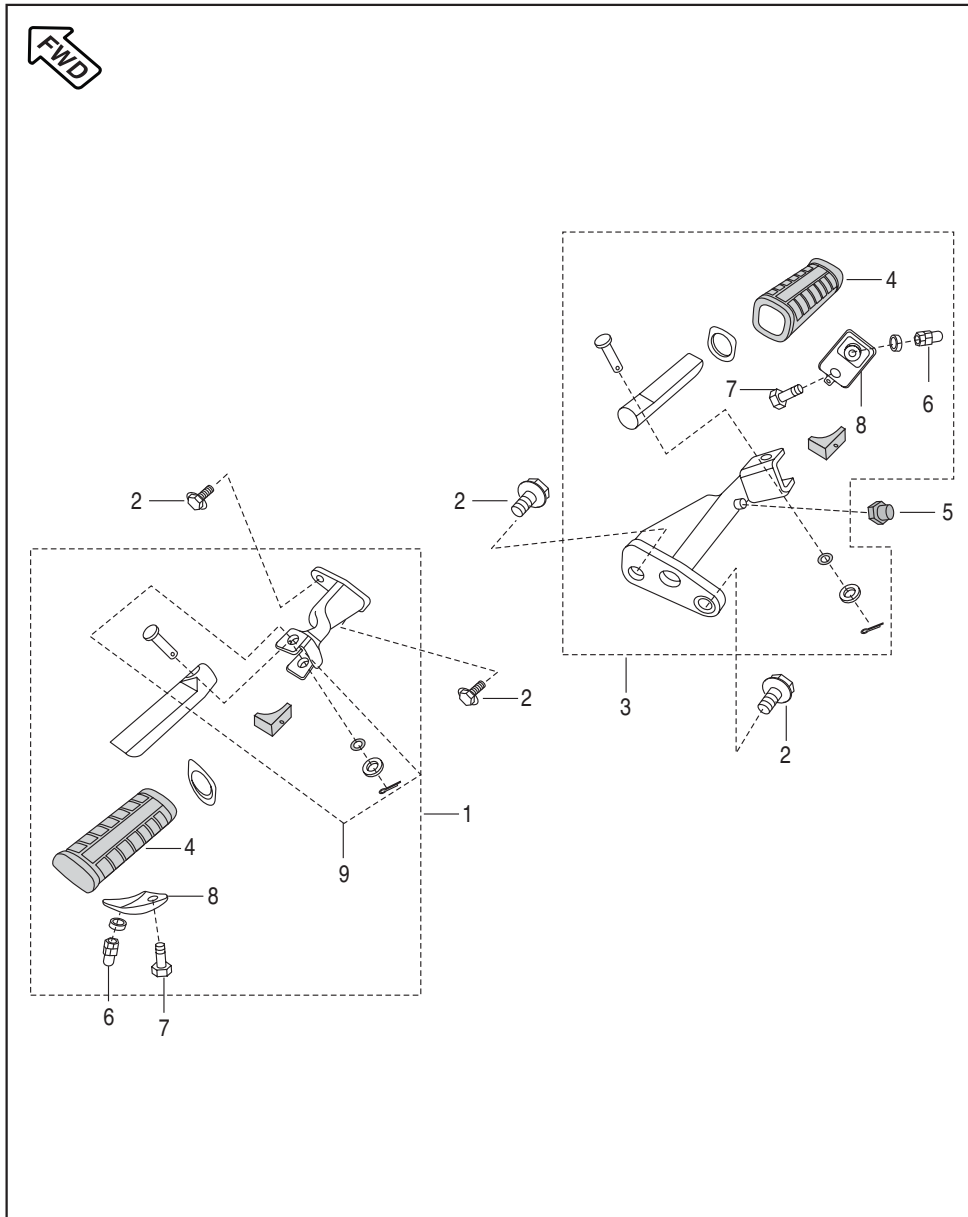
| No. | Part No.   | Description                 | Qty/Veh. | Remarks         |
|-----|------------|-----------------------------|----------|-----------------|
| 1   | DH 1613 21 | Frame Assly. Comp.          | 1        | From 24.04.2011 |
|     | DH 1613 86 | Frame Assly. Comp.          | 1        |                 |
| 2   | DH 1611 12 | Cup Rear                    | 2        |                 |
| 3   | 30 1810 11 | Nut                         | 1        |                 |
| 4   | DH 1810 14 | Cup - Steering              | 1        |                 |
| 5   | 36 DS18 02 | Bearing Cone Kit            | 1        |                 |
|     | 36 DS40 27 | Kit St Cone with RR3 Grease | 1        |                 |
| 6   | DJ 1811 15 | Ball Steel With Cage        | 2        |                 |
| 7   | 39 1680 04 | Flanged Bolt                | 2        |                 |
| 8   | DJ 1611 32 | Cable Hook LH               | 1        |                 |
| 9   | DJ 1611 33 | Cable Hook RH               | 1        |                 |
| 10  | DJ 1410 08 | Damper Front                | 2        | Fuel Tank Mtg.  |
| 11  | DD 1910 15 | Rubber Clutch Cable Clamp   | 1        |                 |
| 12  | 36 0010 52 | Grease Lithon RR3           | 1        |                 |

Swing Arm / Rear Shock Absorber



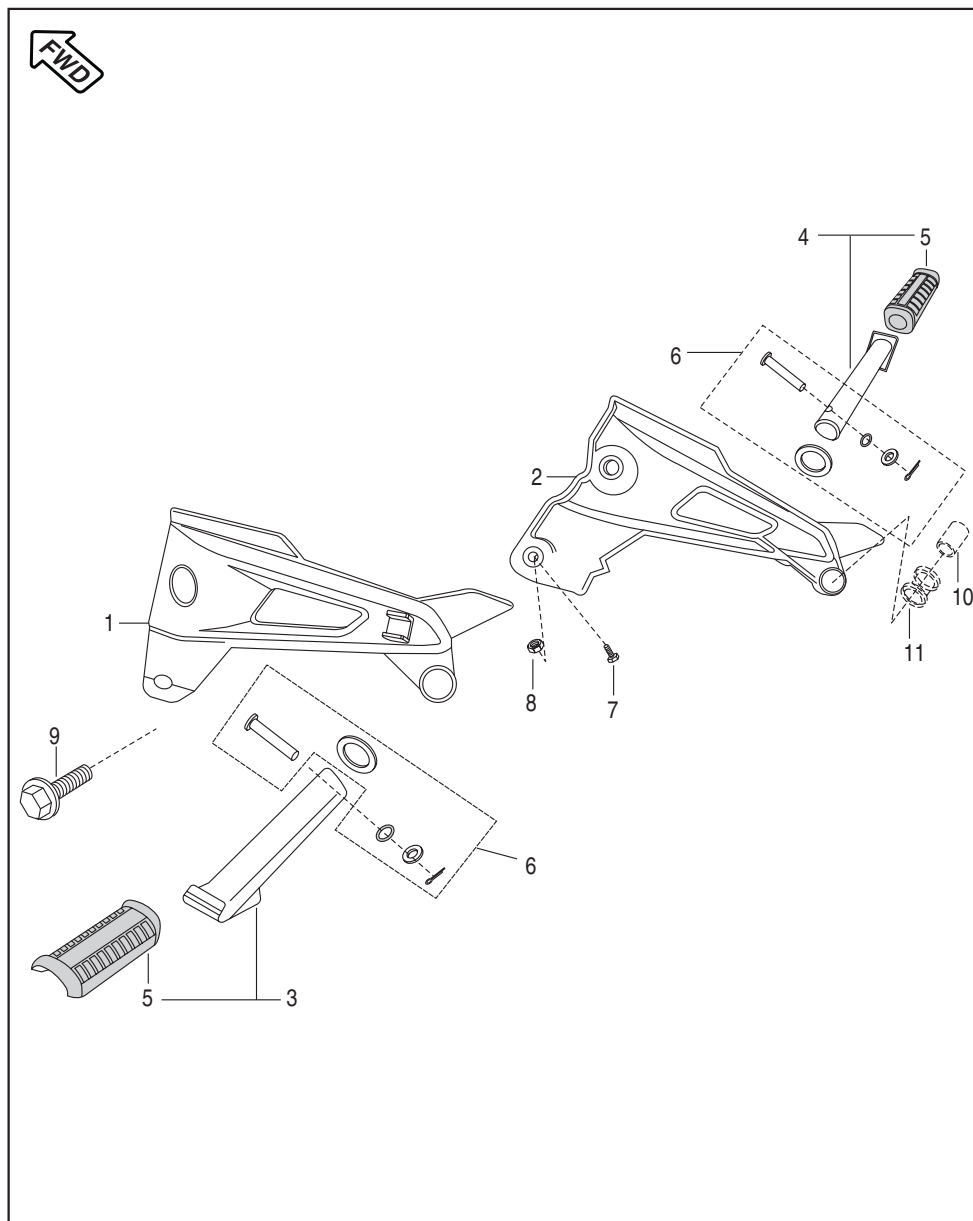
| No. | Part No.   | Description          | Qty/Veh. | Remarks |
|-----|------------|----------------------|----------|---------|
| 1   | DH 1710 23 | Rear Shock Absorber  | 2        |         |
| 2   | DG 1710 38 | Bolt Pre-coated      | 2        |         |
| 3   | 36 DK00 12 | Kit Bush Rear Shock  | 1        |         |
| 4   | DJ 1710 32 | Swing Arm Assly.     | 1        |         |
| 5   | DH 1710 14 | Bush Swing Arm       | 4        |         |
| 6   | DH 1710 13 | Collar Swing Arm     | 2        |         |
| 7   | DH 1710 15 | Dust Seal Swing Arm  | 4        |         |
| 8   | DH 1710 19 | 'U' Nut Swing Arm    | 1        |         |
| 9   | DH 1710 12 | Shaft Swing Arm      | 1        |         |
| 10  | DJ 1710 08 | Chain Slider         | 1        |         |
| 11  | 39 0553 02 | Screw                | 2        |         |
| 12  | 39 0454 11 | Plain Washer         | 2        |         |
| 13  | DJ 1510 36 | Adjuster Chain LH    | 1        |         |
| 14  | DJ 1510 37 | Adjuster Chain RH    | 1        |         |
| 15  | DJ 1510 47 | Plate Chain Adjuster | 2        |         |
| 16  | 39 0292 15 | Hexagon Nut          | 4        |         |
| 17  | 35 1710 33 | Grease Nipple        | 2        |         |
| 18  | 39 0740 11 | Plain Washer (nylon) | 2        |         |

Rider Foot Rest



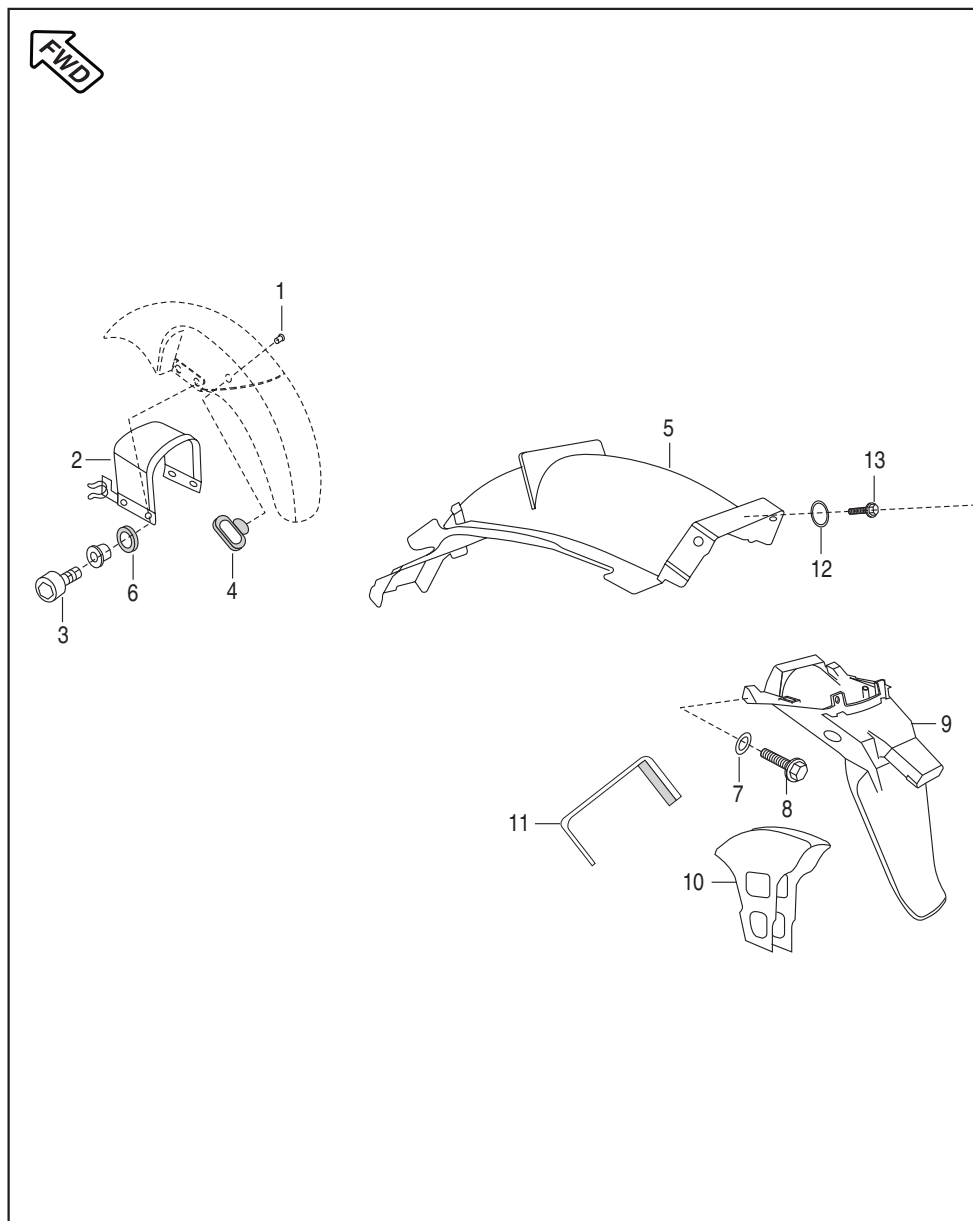
| No. | Part No.   | Description               | Qty/Veh. | Remarks |
|-----|------------|---------------------------|----------|---------|
| 1   | DJ 1611 30 | Main Step LH Assly. Comp. | 1        |         |
| 2   | 39 2310 04 | Flange Bolt               | 4        |         |
| 3   | DJ 1611 31 | Main Step RH Assly. Comp. | 1        |         |
| 4   | DH 1610 53 | Rubber Main Step          | 2        |         |
| 5   | DH 1611 94 | Kick Stopper              | 1        |         |
| 6   | 39 1282 15 | Domed Cap Nut             | 2        |         |
| 7   | 22 1504 51 | Bolt Hexagon Head         | 2        |         |
| 8   | DH 1610 56 | Plate Coml. Low Main step | 2        |         |
| 9   | 36 DK00 13 | Kit Hardware Main Step    | 2        |         |

Pillion Foot Rest / Holder



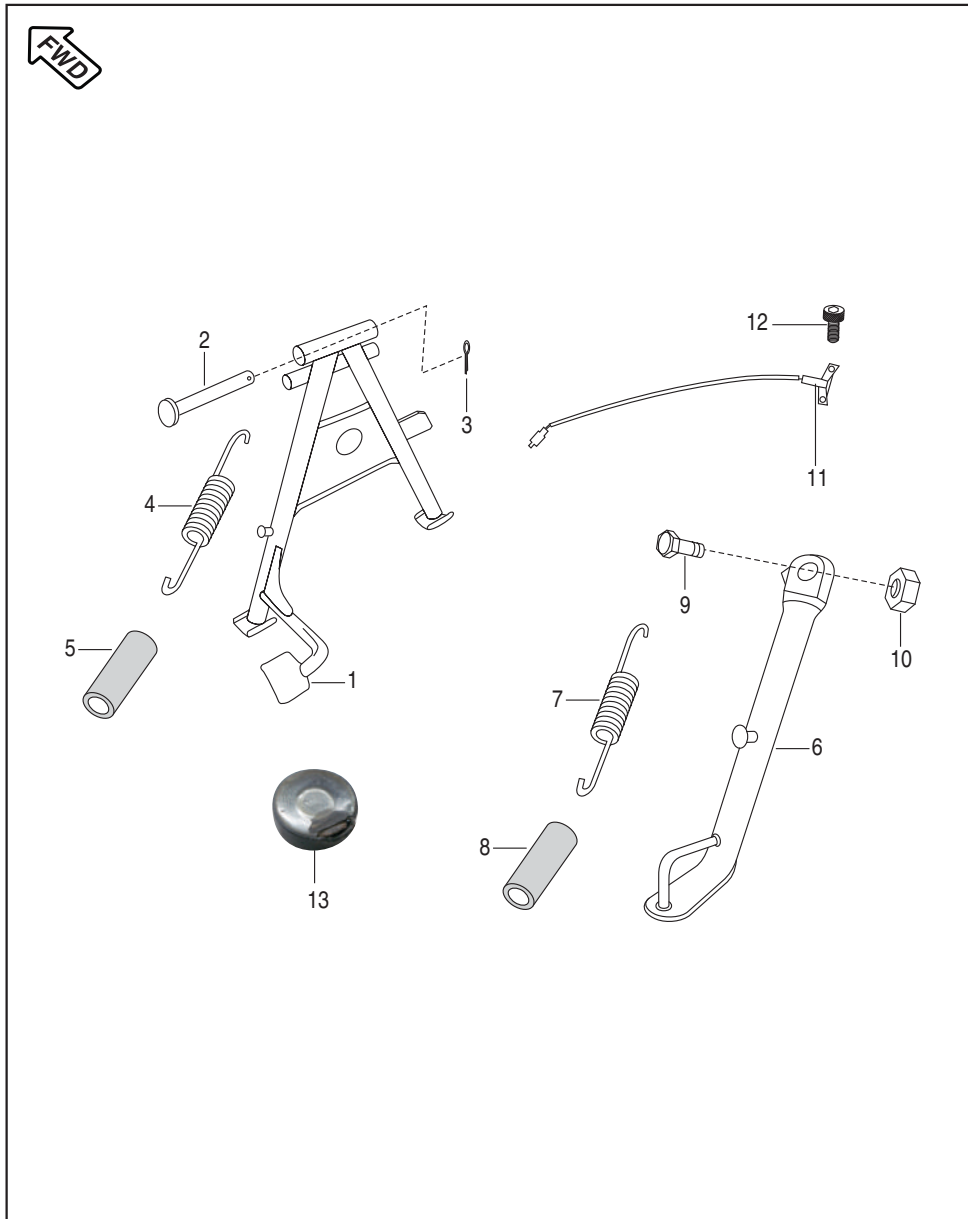
| No. | Part No.   | Description                  | Qty/Veh. | Remarks                      |
|-----|------------|------------------------------|----------|------------------------------|
| 1   | DJ 1612 56 | Holder LH Step               | 1        |                              |
|     | DH 1614 04 | Holder LH Step               | 1        | From 03.09.2011              |
| 2   | DJ 1612 57 | Holder RH Step               | 1        |                              |
|     | DH 1614 05 | Holder RH Step               | 1        | From 03.09.2011              |
| 3   | DJ 1611 28 | Pillion Step Assly. Comp. LH | 1        |                              |
| 4   | DJ 1611 29 | Pillion Step Assly. Comp. RH | 1        |                              |
| 5   | DJ 1611 22 | Rubber Pillion Step          | 2        |                              |
| 6   | 36 DK00 13 | Kit Hardware Pillion         | 2        | Ref Page No.108              |
| 7   | 39 1069 01 | Hexagonal Head Screw         | 2        |                              |
| 8   | 39 0292 15 | Nut                          | 1        |                              |
| 9   | 39 1714 04 | Flanged Bolt                 | 2        | Bott.mtg.LH & RH Holder Step |
| 10  | DH 1611 57 | Tube Silencer Mtg.           | 1        |                              |
| 11  | DH 1611 55 | Damper Silencer Mtg.         | 1        |                              |
| 12  | 39 1850 04 | Flange Bolt M10              | 1        | Silencer Mtg.                |
| 13  | 39 0201 11 | Wahser Plain                 | 1        |                              |
| 14  | DD 1610 71 | U Nut M10                    | 1        |                              |
| 15  | 36 DH40 22 | Grease Nipple Kit            | 1        | From 03.03.2010              |

Mudguard - Front & Rear



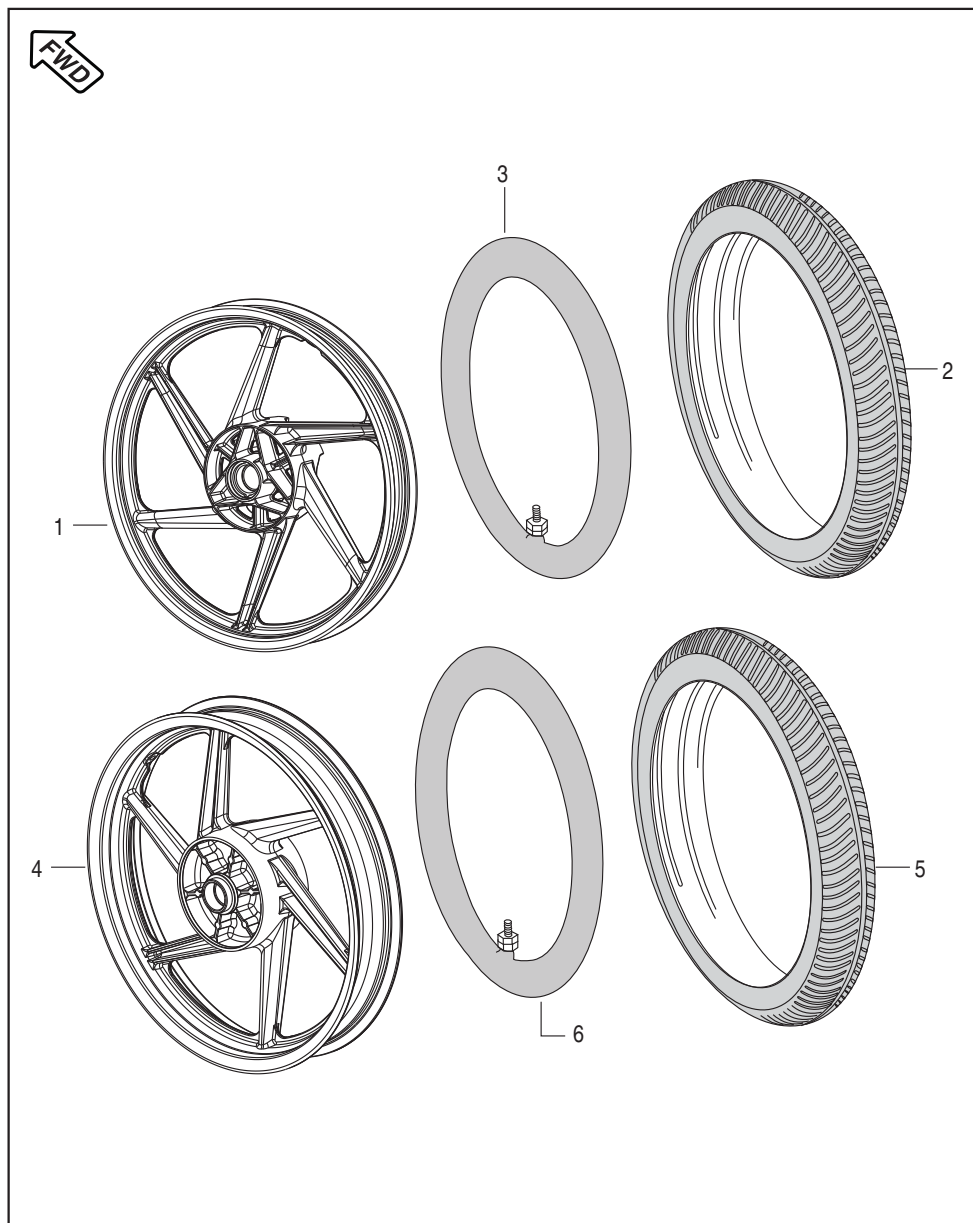
| No. | Part No.   | Description                   | Qty/Veh. | Remarks                    |
|-----|------------|-------------------------------|----------|----------------------------|
| 1   | DJ 1610 69 | Nail For Cable Guide          | 1        |                            |
| 2   | DH 1612 58 | Brace Fender                  | 1        |                            |
| 3   | DG 1810 08 | Socket Bolt                   | 4        | Fender Front<br>For Cables |
| 4   | DS 1611 25 | Clamp                         | 1        |                            |
| 5   | DJ 1612 55 | Fender Rear Front             | 1        |                            |
| 6   | DJ 1610 91 | Grommet Front Fender          | 4        |                            |
| 7   | 39 0711 11 | Plain Washer                  | 4        |                            |
| 8   | 39 1680 04 | Flange Bolt                   | 2        |                            |
| 9   | DJ 1612 54 | Fender Rear                   | 1        |                            |
| 10  | DJ 1612 21 | Cover Mud Rear                | 1        |                            |
| 11  | DJ 1612 72 | Support Assly For Rear Fender | 1        | Alt. Dh161297              |
| 12  | 39 0211 11 | Plain Washer                  | 2        |                            |
| 13  | 39 1672 04 | Flange Bolt                   | 2        |                            |

Stand Assembly



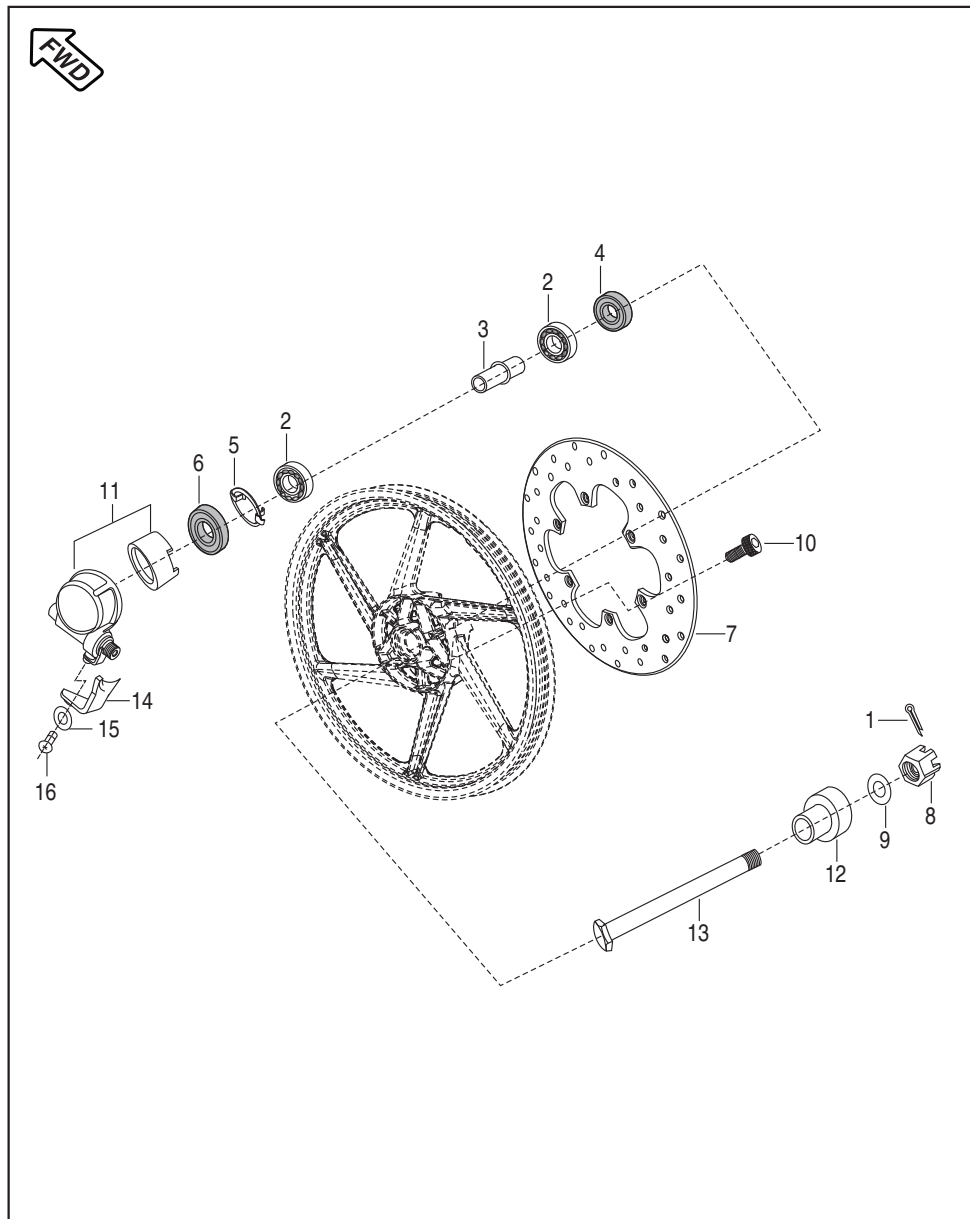
| No. | Part No.   | Description               | Qty/Veh. | Remarks |
|-----|------------|---------------------------|----------|---------|
| 1   | DJ 1612 14 | Stand Main                | 1        |         |
| 2   | 30 1611 57 | Shaft Stand               | 1        |         |
| 3   | 39 0787 08 | Pin Cotter                | 1        |         |
| 4   | DH 1611 21 | Spring Main Stand         | 1        |         |
| 5   | DH 1611 45 | Cover Spring Main Stand   | 1        |         |
| 6   | DJ 1612 18 | Stand Side                | 1        |         |
| 7   | DH 1610 66 | Spring Side Stand         | 1        |         |
| 8   | DH 1611 46 | Cover Spring Side Stand   | 1        |         |
| 9   | DF 1611 02 | Bolt                      | 1        |         |
| 10  | 39 0422 15 | Nut                       | 1        |         |
| 11  | JC 2010 39 | Side Stand Switch         | 1        |         |
| 12  | 39 2060 04 | Bolt                      | 1        |         |
| 13  | DJ 2011 06 | Magnet Assly.             | 1        |         |
| 14  | DH 1613 02 | Bracket Side Stand Switch | 1        | N.I.    |

Tube / Tyre / Rim



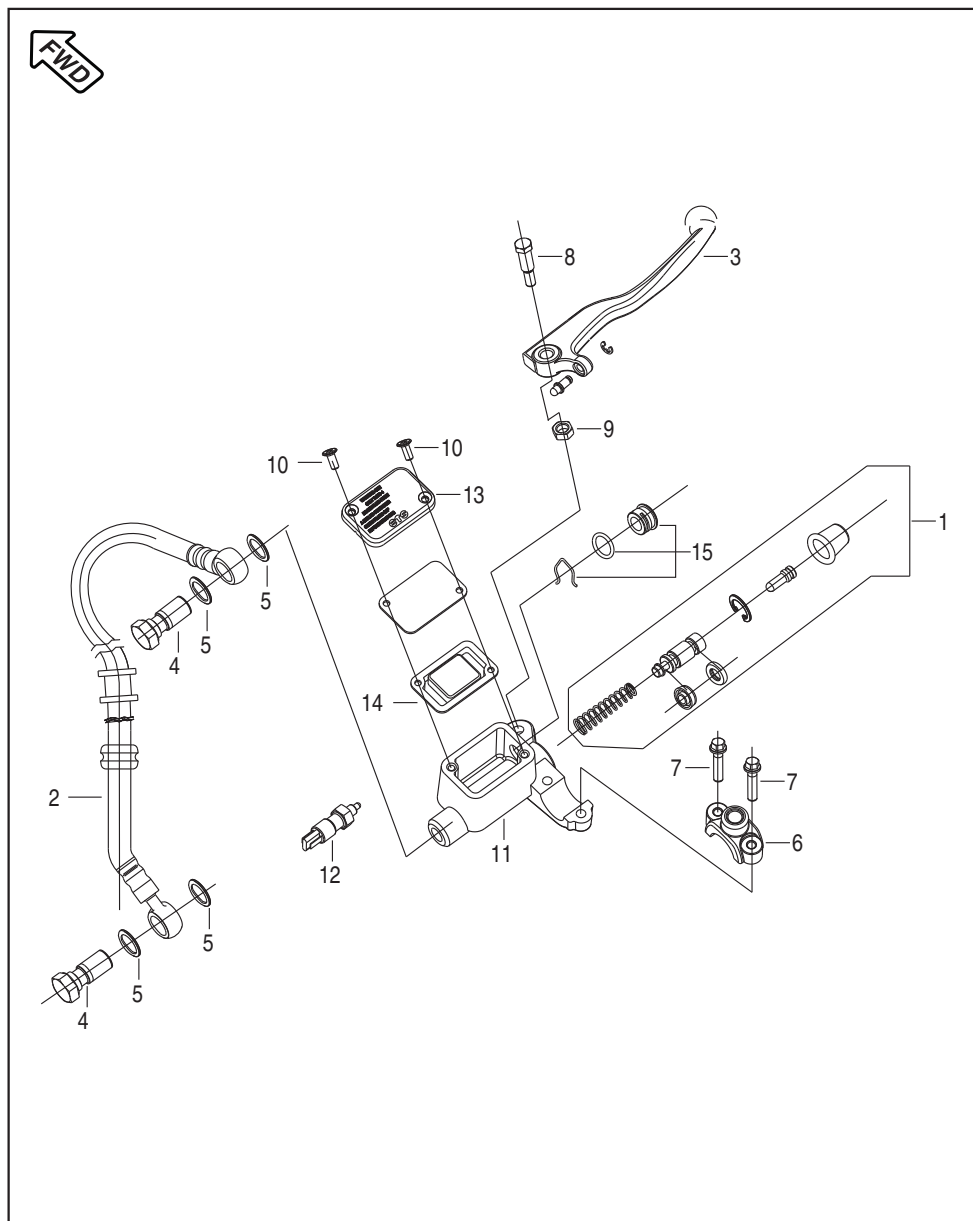
| No. | Part No.   | Description                  | Qty/Veh. | Remarks         |
|-----|------------|------------------------------|----------|-----------------|
| 1   | DJ 1510 77 | Wheel Rim Front (16 X 17 DC) | 1        |                 |
| 2   | DS 1510 48 | Tyre Front                   | 1        | Not Serviceable |
| 3   | DS 1510 49 | Tube Front                   | 1        |                 |
| 4   | DJ 1510 87 | Wheel Rim Rear               | 1        |                 |
| 5   | DS 1510 31 | Tyre Rear                    | 1        | Not Serviceable |
| 6   | DS 1510 29 | Tube Rear                    | 1        |                 |

Front Hub



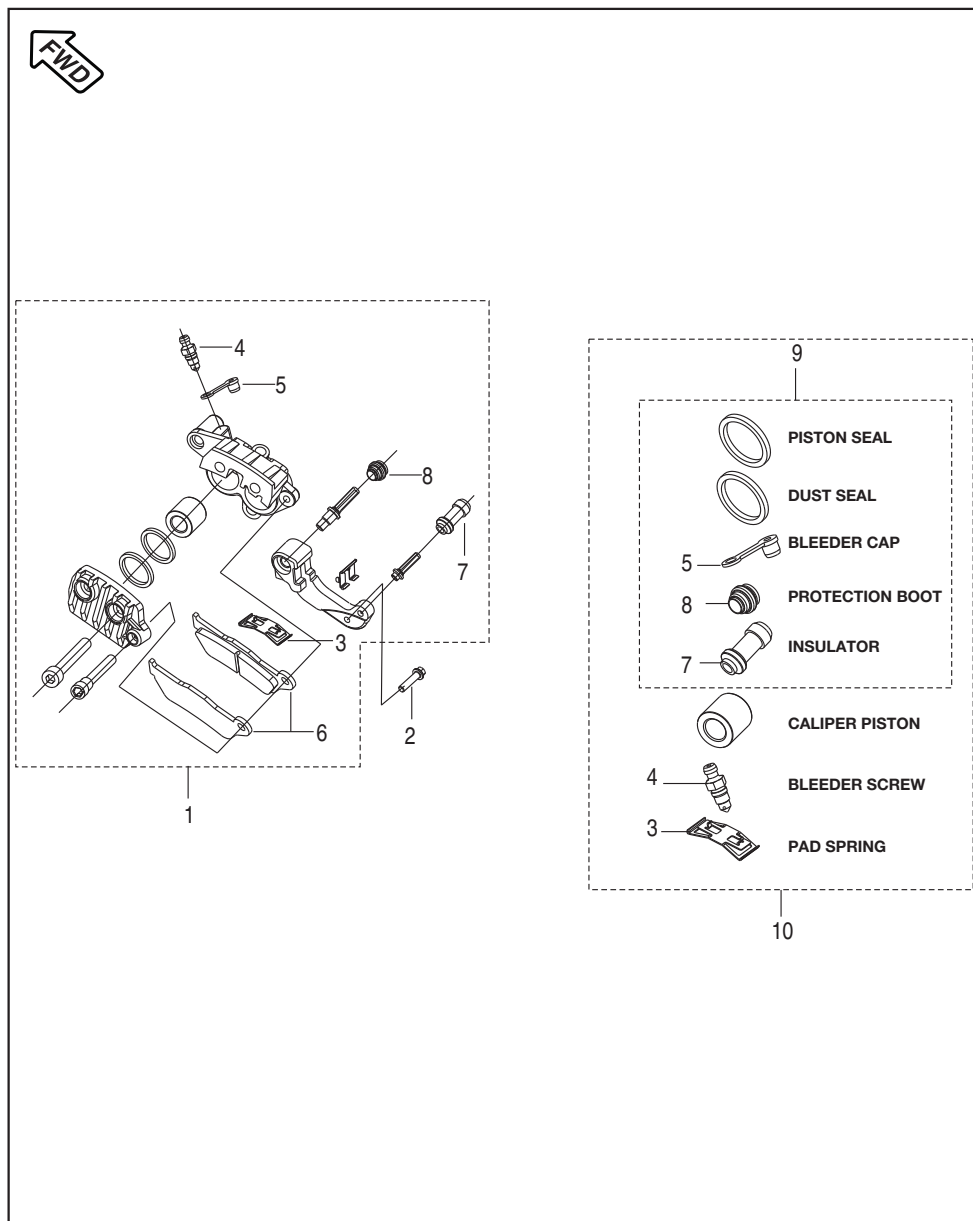
| No. | Part No.   | Description        | Qty/Veh. | Remarks         |
|-----|------------|--------------------|----------|-----------------|
| 1   | 39 0787 08 | Pin Cotter         | 1        |                 |
| 2   | 39 2362 20 | Bearing Ball       | 2        |                 |
| 3   | DE 1510 06 | Spacer Assy.       | 1        |                 |
| 4   | 30 1510 33 | Seal Oil           | 1        |                 |
| 5   | DE 1510 12 | Plate Drive        | 1        |                 |
| 6   | DE 1510 08 | Seal Oil           | 1        |                 |
| 7   | DJ 1510 14 | Disc               | 1        |                 |
|     | JN 1318 07 | Disc               | 1        | From 08.07.2010 |
| 8   | 59 1500 03 | Hex. Slotted Nut   | 1        |                 |
| 9   | 39 0781 11 | Plain Washer       | 1        |                 |
| 10  | 39 2038 04 | Hex. Soc. Hd. Bolt | 6        |                 |
| 11  | JN 1316 03 | Case Meter Assly.  | 1        |                 |
| 12  | DS 1510 58 | Spacer             | 1        |                 |
| 13  | DJ 1510 41 | Axle               | 1        |                 |
| 14  | JC 2010 46 | Stopper plate      | 1        |                 |
| 15  | 39 0900 12 | Washer             | 1        |                 |
| 16  | 39 0840 01 | Screw              | 1        |                 |

FR. Master Cylinder

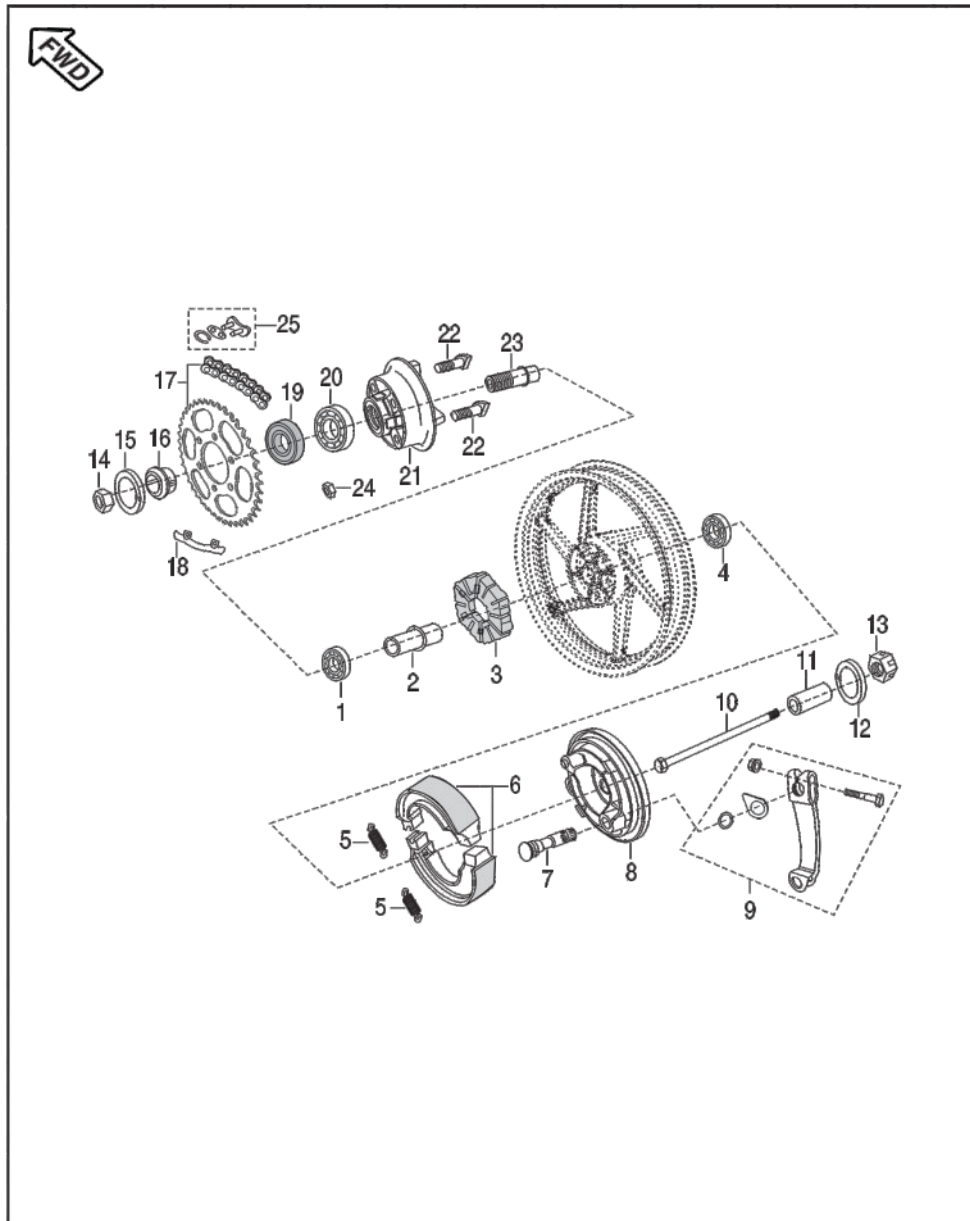


| No. | Part No.   | Description                     | Qty/Veh. | Remarks               |
|-----|------------|---------------------------------|----------|-----------------------|
| 1   | DJ 1910 23 | Major Kit - Master Cylinder     | 1        |                       |
|     | 36 DJ40 31 | Kit Major Mast Cyl & Grease-End | 1        | F-31 dated 03/12/2013 |
|     | 36 DH40 48 | Kit Major Mast Cyl & Grease-Bra | 1        | F-31 dated 03/12/2013 |
| 2   | DJ 1510 76 | Hose Brake Front                | 1        |                       |
| 3   | DJ 1910 06 | Lever Grip RH                   | 1        |                       |
| 4   | DE 1910 11 | Banjo Bolt                      | 2        |                       |
| 5   | DE 1910 10 | Washer Copper                   | 4        |                       |
| 6   | DJ 1910 27 | Clamp Holder RH                 | 1        |                       |
| 7   | DJ 1910 28 | Bolt                            | 1        |                       |
| 8   | DJ 1910 29 | Bolt Front Brake Lever          | 1        |                       |
| 9   | DJ 1910 30 | Nut Flanged                     | 1        |                       |
| 10  | DJ 1910 31 | Screw                           | 2        |                       |
| 11  | DJ 1910 32 | Cylinder Master                 | 1        |                       |
|     | DE 1510 15 | Cylinder Master                 | 1        | KBX                   |
| 12  | DJ 2011 00 | Front Brake Switch              | 1        |                       |
| 13  | DJ 1910 34 | Reservoir Cover                 | 1        |                       |
| 14  | DJ 1910 35 | Diaphragm                       | 1        |                       |
| 15  | 36 DH19 02 | Oil Window Kit                  | 1        |                       |

Front Disc Brake



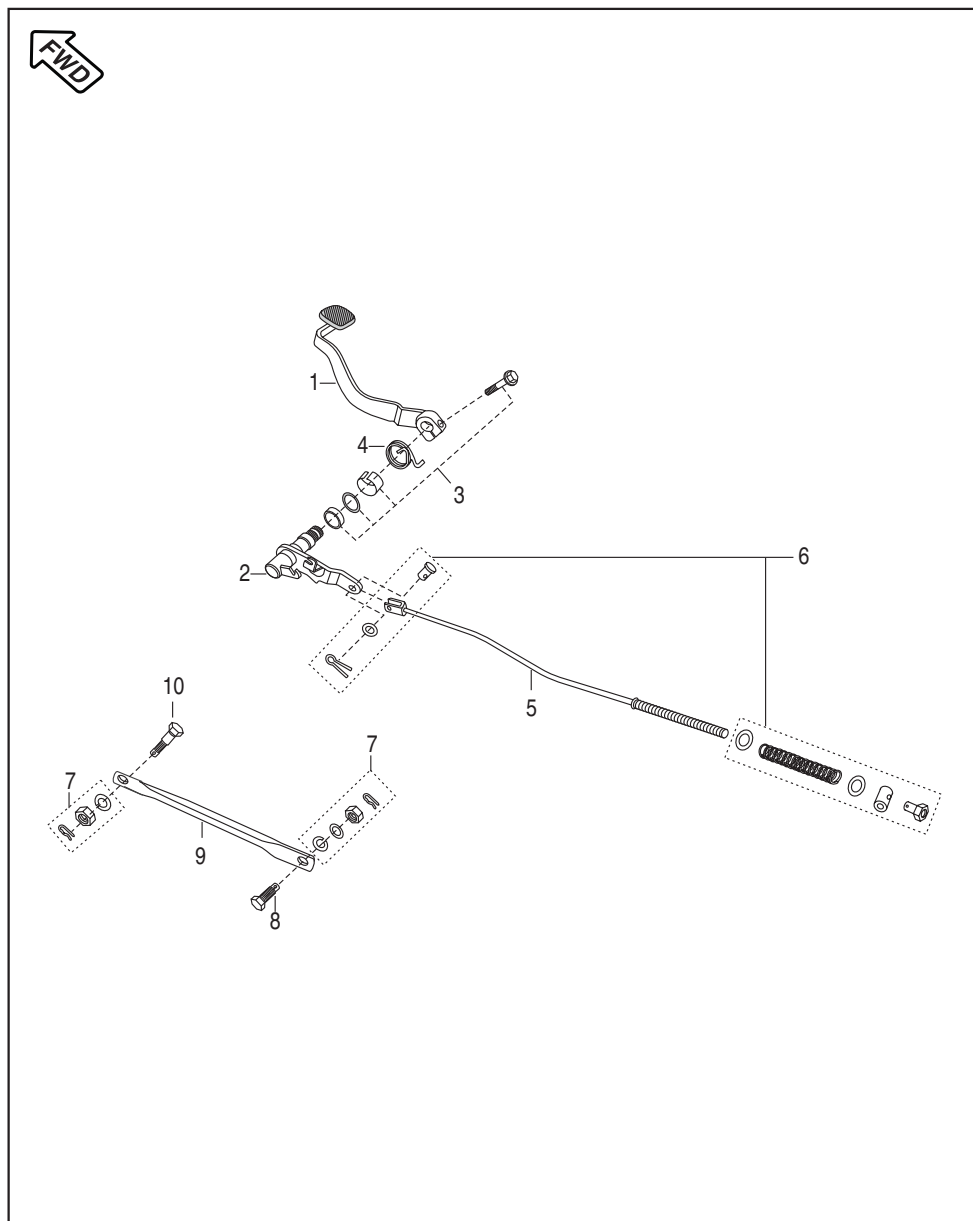
| No. | Part No.   | Description                       | Qty/Veh. | Remarks               |
|-----|------------|-----------------------------------|----------|-----------------------|
| 1   | DG 1510 89 | Caliper Assly. Front              | 1        |                       |
|     | DK 1510 54 | Caliper Assly. Front              | 1        | KBX                   |
| 2   | 39 1769 04 | Bolt Flanged                      | 2        |                       |
| 3   | DJ 1510 68 | Spring Pad                        | 1        |                       |
| 4   | DJ 1510 69 | Bleeder Screw                     | 1        |                       |
|     | DE 1510 46 | Bleeder Screw                     | 1        | KBX                   |
| 5   | DJ 1510 70 | Bleeder Cap                       | 1        |                       |
|     | DE 1510 47 | Bleeder Cap                       | 1        | KBX                   |
| 6   | DJ 1510 71 | Disc Pad Set                      | 1        |                       |
|     | DE 1510 37 | Disc Pad Set                      | 1        | KBX                   |
|     | JW 1318 07 | Disc Pad Set                      | 1        | From 08.07.2010       |
| 7   | DJ 1510 72 | Insulator                         | 1        |                       |
|     | DE 1510 43 | Insulator                         | 1        | KBX                   |
| 8   | DJ 1510 73 | Protection Boot                   | 1        |                       |
| 9   | DJ 1510 74 | Minor Kit - Caliper               | 1        |                       |
| 10  | 36 DJ40 32 | Kit Minor Cal & Grease-End        | 1        | F-31 dated 03/12/2013 |
|     | 36 DK00 65 | Kit Minor Caliper with Grease-Bra | 1        | F-31 dated 03/12/2013 |
| 10  | DJ 1510 75 | Major Kit - Caliper               | 1        |                       |
|     | 36 DJ40 33 | Kit Mijor Cal & Grease-End        | 1        | F-31 dated 03/12/2013 |
|     | 36 DK00 66 | Kit Minor Caliper with Grease-Bra | 1        | F-31 dated 03/12/2013 |



### Rear Hub

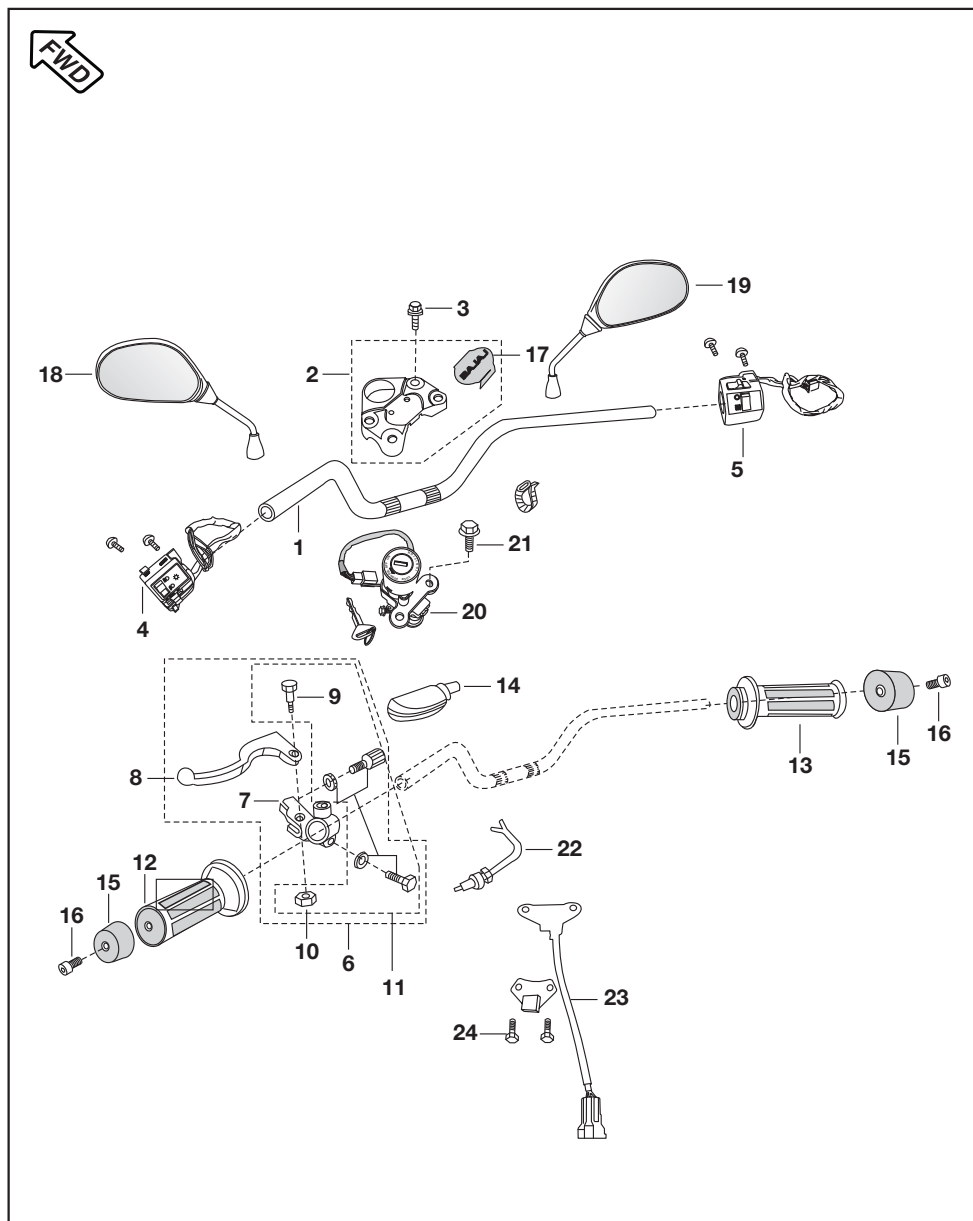
| No. | Part No.   | Description        | Qty/Veh. | Remarks         |
|-----|------------|--------------------|----------|-----------------|
| 1   | 39 2686 20 | Bearing Ball       | 1        |                 |
| 2   | 30 1510 75 | Collar Bearing     | 1        |                 |
| 3   | DK 1510 94 | Damper             | 1        | From 16.12.2011 |
| 4   | 39 2241 20 | Bearing Ball       | 1        |                 |
| 5   | 30 1510 69 | Spring             | 2        |                 |
| 6   | 30 1511 05 | Shoe Brake Assly.  | 1        |                 |
| 7   | 30 1510 12 | Cam Brake          | 1        |                 |
| 8   | DJ 1510 92 | Panel Rear Brake   | 1        |                 |
| 9   | 36 DH 4012 | Kit Lever Brake    | 1        | Ref Page No.108 |
| 10  | DJ 1510 32 | Axle               | 1        |                 |
| 11  | DJ 1510 34 | Collar             | 1        |                 |
| 12  | 39 2567 11 | Plain Washer       | 1        |                 |
| 13  | DH 1710 19 | 'U' Nut            | 1        |                 |
| 14  | 39 0801 15 | Nut                | 1        |                 |
| 15  | 39 2566 11 | Plain Washer       | 1        |                 |
| 16  | DJ 1510 35 | Collar             | 1        |                 |
| 17  | 36 DH40 13 | Chain Sprocket Kit | 1        | Ref Page No.108 |
| 18  | DS 1510 74 | Lock Washer        | 3        |                 |
| 19  | 30 1510 82 | Seal Oil           | 1        |                 |
| 20  | 39 2240 20 | Bearing Ball       | 1        |                 |
| 21  | DS 1510 68 | Coupling           | 1        |                 |
| 22  | DS 1510 73 | 'D' Bolt           | 6        |                 |
| 23  | DJ 1510 33 | Sleeve             | 1        |                 |
| 24  | 39 0794 15 | Hex. Lock Nut      | 6        |                 |
| 25  | DJ 1510 53 | Drive Chain Lock   | 1        |                 |
| 26  | 39 0722 11 | Plain Washer       | 1        | For Cam Brake   |
| 27  | 30 1510 38 | 'O' ring Cam Brake | 1        |                 |

Rear Brake Pedal



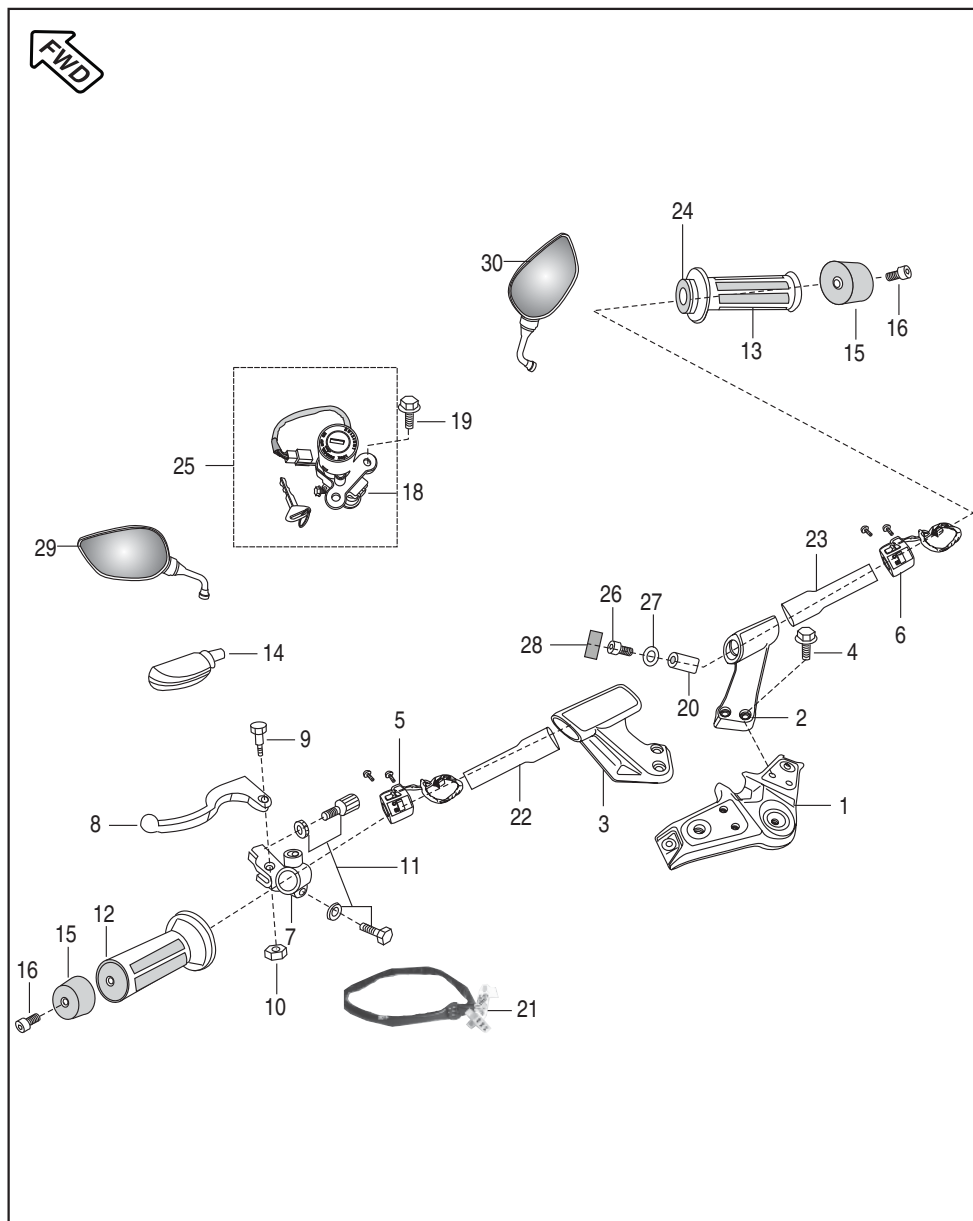
| No. | Part No.   | Description              | Qty/Veh. | Remarks           |
|-----|------------|--------------------------|----------|-------------------|
| 1   | DH 1910 01 | Lever Brake Pedal        | 1        |                   |
| 2   | DJ 1910 21 | Shaft Assly. Brake Pedal | 1        |                   |
| 3   | 36 DK00 16 | Kit Hardware Brake Pedal | 1        | Refer Page No.108 |
| 4   | DH 1910 06 | Spring                   | 1        |                   |
| 5   | DJ 1910 10 | Rod Assly. Brake         | 1        |                   |
| 6   | 36 DH 4014 | Kit Hardware Rod Brake   | 1        | Refer Page No.109 |
| 7   | 36 DH 4015 | Kit Hardware Rod Torque  | 1        | Refer Page No.109 |
| 8   | 30 1510 95 | Hex. Bolt                | 1        |                   |
| 9   | DJ 1510 42 | Rod Torque               | 1        |                   |
| 10  | DH 1510 29 | Hex. Bolt                | 1        |                   |

Handle Bar ( Single Tube Type )



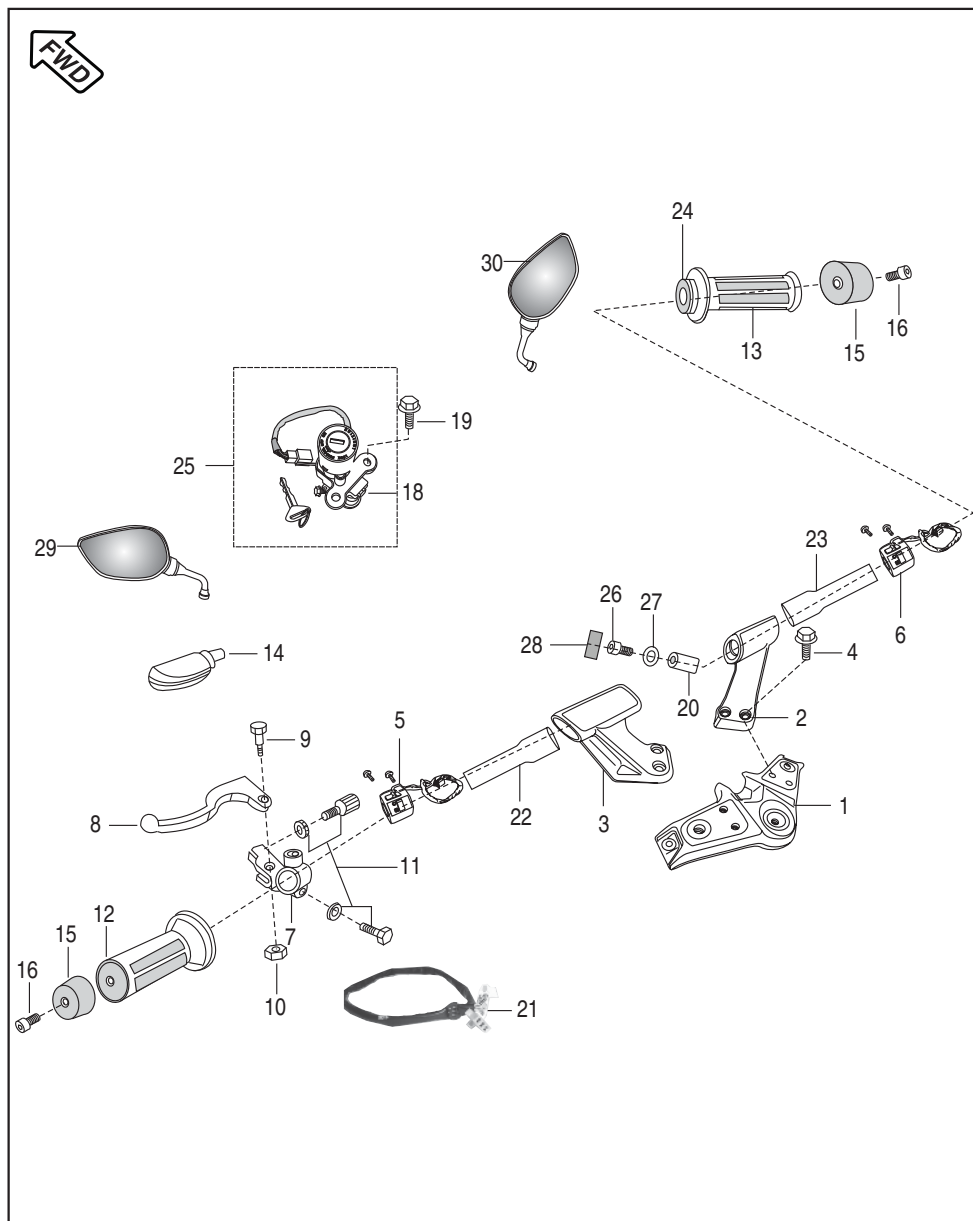
| No. | Part No.   | Description                | Qty/Veh. | Remarks         |
|-----|------------|----------------------------|----------|-----------------|
| 1   | DH 1810 55 | Handle Bar                 | 1        |                 |
| 2   | DH 1810 53 | Holder Handle              | 1        |                 |
| 3   | 39 2743 04 | Flanged Bolt               | 4        |                 |
| 4   | JC 2010 17 | Control Switch LH          | 1        |                 |
| 5   | JC 2010 18 | Control Switch RH          | 1        |                 |
| 6   | DJ 1910 09 | Lever Assly. Grip LH       | 1        |                 |
| 7   | DJ 1910 54 | Holder Left Hand           | 1        |                 |
| 8   | DJ 1910 55 | Lever Grip Left            | 1        |                 |
| 9   | DD 1910 85 | Bolt                       | 1        |                 |
| 10  | 39 1184 15 | Self Locking Nut           | 1        |                 |
| 11  | 36 Dk00 37 | Kit Hardware Holder LH     | 1        | Ref Page No.109 |
| 12  | DH 1910 07 | Grip LH                    | 1        |                 |
| 13  | DH 1910 08 | Grip Assly. RH             | 1        |                 |
| 14  | DH 1910 19 | Boot For Lever             | 1        |                 |
| 15  | DJ 1810 11 | Handle Bar Weight          | 2        |                 |
| 16  | 39 2427 04 | Hex. Socket Head Cap Screw | 2        | Alt. 39 242704  |
| 17  | DJ 1810 39 | Pad Holder Handle          | 1        |                 |
| 18  | DJ 2210 03 | Mirror Assly. LH           | 1        |                 |
| 19  | DJ 2210 04 | Mirror Assly. RH           | 1        |                 |
| 20  | JB 4014 02 | Switch Assly. Ignition     | 1        |                 |
| 21  | 39 1943 04 | Flange Bolt                | 2        |                 |
| 22  | DJ 2011 95 | Clutch Switch              | 1        |                 |
| 23  | DJ 2012 11 | Hall Sensor Assly.         | 1        |                 |
| 24  | 39 2208 04 | Flange Bolt                | 2        |                 |
| 25  | DH 1810 69 | 4 In 1 Lock Set With Key   | 1        | N.I.            |

Handle Bar ( Split Type )



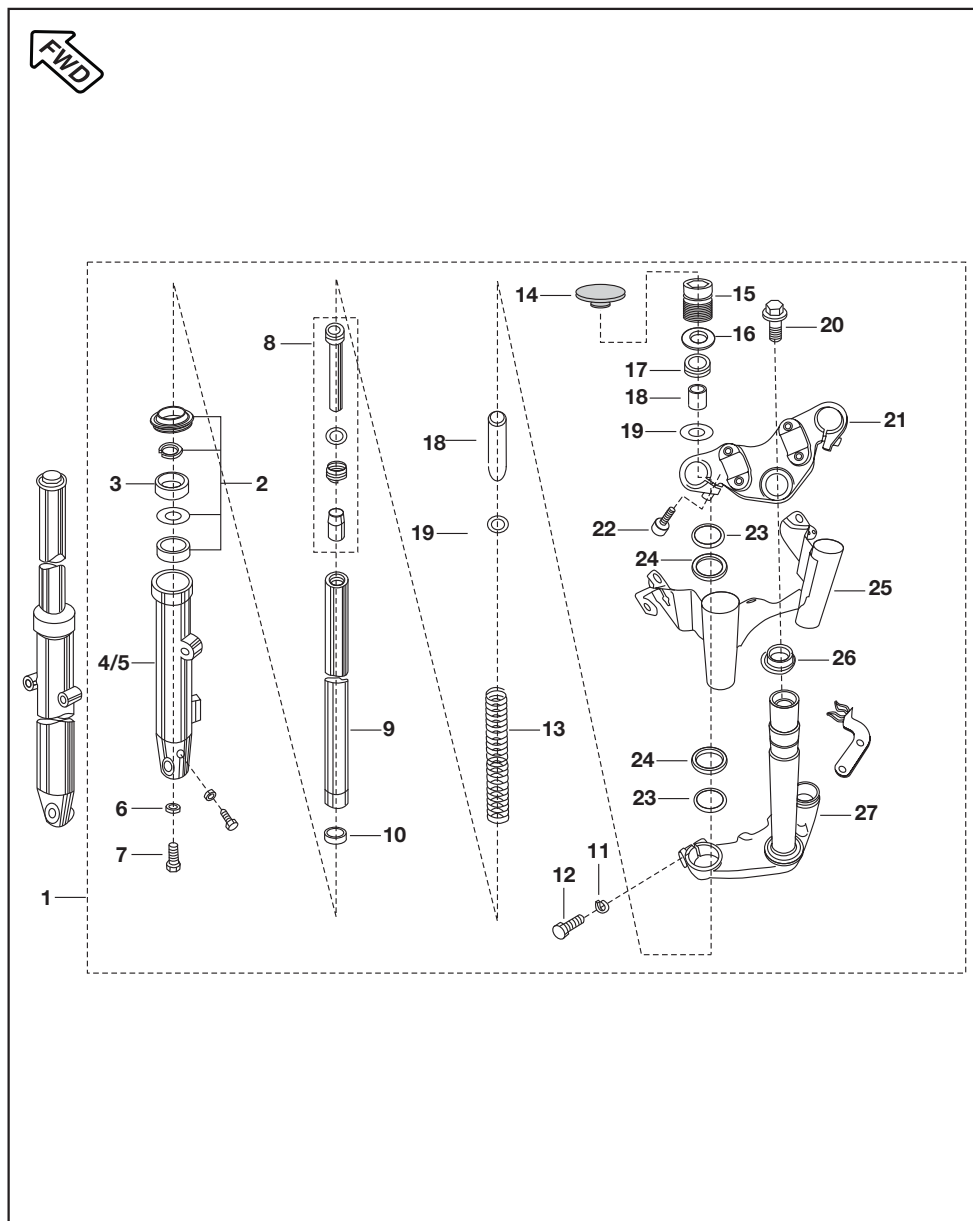
| No. | Part No.   | Description                  | Qty. | Remarks               |
|-----|------------|------------------------------|------|-----------------------|
| 1   | DH 1810 91 | Upper Bracket                | 1    |                       |
|     | DH 1811 05 | Upper Bracket-Black          | 1    | From 03.09.2011       |
| 2   | DH 1810 96 | Holder Handle RH             | 1    |                       |
|     | DH 1811 09 | Holder Handle RH             | 1    | From 01.06.2011       |
|     | DH 1811 03 | Holder Handle RH             | 1    | From 03.09.2011       |
| 3   | DH 1810 94 | Holder Handle LH             | 1    |                       |
|     | DH 1811 07 | Holder Handle LH             | 1    | From 01.06.2011       |
|     | DH 1811 04 | Holder Handle LH-Black       | 1    | From 03.09.2011       |
| 4   | DG 1810 08 | Socket Bolt                  | 4    |                       |
| 5   | JC 2010 17 | Control Switch LH            | 1    |                       |
|     | JF 4014 00 | Control Switch LH            | 1    | C-43 Dated 17/08/2013 |
| 6   | JC 2010 18 | Control Switch RH            | 1    |                       |
|     | JF 4014 01 | Control Switch RH            | 1    | C-43 Dated 17/08/2013 |
| 7   | DJ 1910 54 | Holder LH                    | 1    |                       |
| 8   | DJ 1910 55 | Lever LH                     | 1    |                       |
|     | DJ 1910 83 | Lever LH                     | 1    | From 16.12.2011       |
|     | DJ 1910 82 | Lever & Holder Asly          | 1    | From 16.12.2011       |
| 9   | DL 1910 14 | Stud Lever Handle            | 1    |                       |
| 10  | 30 1910 17 | Self Locking Nut             | 1    |                       |
| 11  | DD 1911 47 | Adjusting Screw              | 1    |                       |
| 12  | DH 1910 07 | Grip LH                      | 1    |                       |
| 13  | DH 1910 08 | Grip assly. RH               | 1    |                       |
| 14  | DH 1910 19 | Boot for lever LH            | 1    |                       |
| 15  | DJ 1810 11 | Handle bar weight            | 2    |                       |
| 16  | 39 2427 04 | Hex. Soc. Hd. Cap Screw      | 2    |                       |
| 17  | DS 1910 52 | Lever Boot for Clutch Switch | 1    | N.I.                  |

Handle Bar ( Split Type )



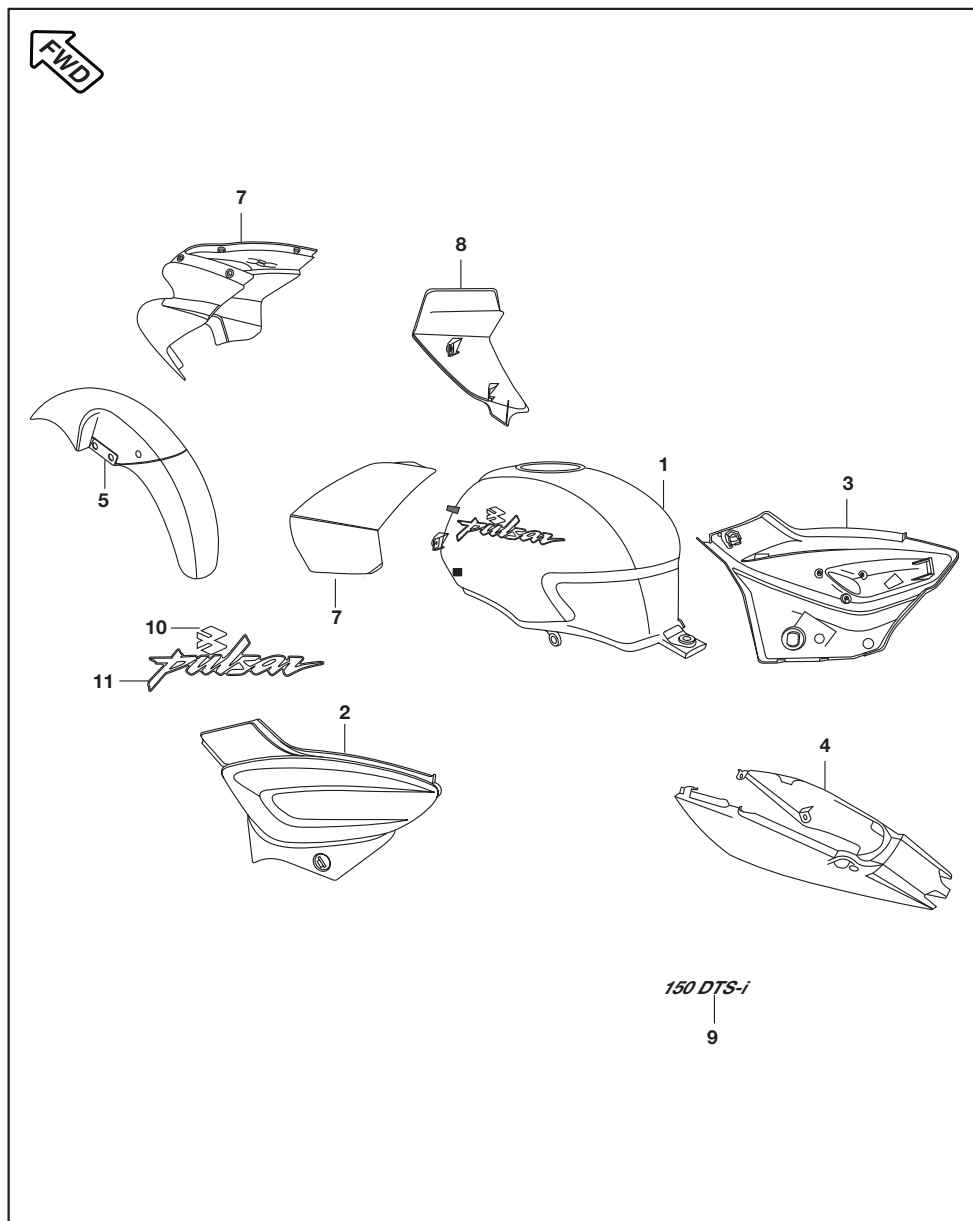
| No. | Part No.   | Description                 | Qty. | Remarks                    |
|-----|------------|-----------------------------|------|----------------------------|
| 18  | JB 4014 02 | Switch Assly. Ignition      | 1    |                            |
| 19  | 38 1943 04 | Flange Bolt                 | 2    |                            |
| 20  | DK 1810 31 | Bush Silent Handle Bar Tube | 2    |                            |
| 21  | DJ 2011 95 | Clutch Switch               | 1    |                            |
|     | DJ 2012 46 | Clutch Switch-Vertical Base | 1    | From 16.12.2011            |
| 22  | DK 1810 46 | Handle bar tube assly. LH   | 1    |                            |
|     | DK 1810 82 | Handle bar tube assly. LH   | 1    | From 01.06.2011            |
| 23  | DK 1810 47 | Handle bar tube assly. RH   | 1    |                            |
|     | DK 1810 86 | Handle bar tube assly. RH   | 1    | From 01.06.2011            |
| 24  | DH 1910 17 | Pipe throttle               | 1    | N.I.                       |
| 25  | DH 1810 69 | Lock set 4 in 1             | 1    |                            |
|     | DH 1811 19 | Lock set 3 in 1             | 1    | Applicable from 17.08.2013 |
| 26  | DK 1810 58 | Bolt                        | 2    |                            |
|     | LA C000 20 | Bolt Socket                 | 2    | From 01.06.2011            |
| 27  | 39 1180 11 | Washer                      | 2    |                            |
| 28  | DH 1810 99 | Rubber Plug                 | 2    |                            |
| 29  | DJ 2210 03 | Mirror Assly. LH            | 1    |                            |
| 30  | DJ 2210 04 | Mirror Assly. RH            | 1    |                            |

Front Fork



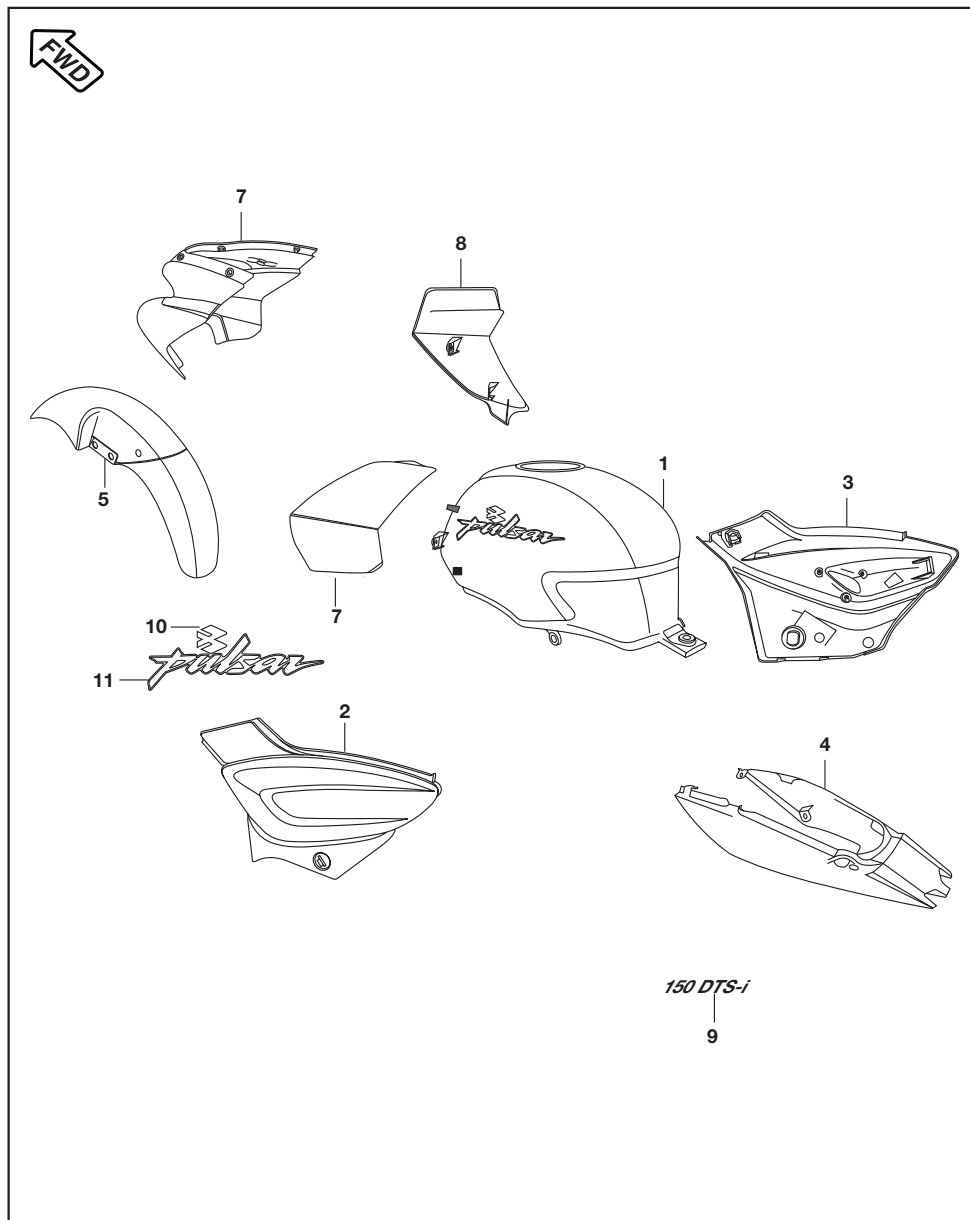
| No. | Part No.   | Description                 | Qty/Veh. | Remarks               |
|-----|------------|-----------------------------|----------|-----------------------|
| 1   | DH 1810 60 | Fork Front                  | 1        |                       |
|     | DH 1810 86 | Fork Front                  | 1        | C-21 dated 29/01/2010 |
|     | DH 1811 00 | Fork Front                  | 1        | From- 08.07.2010      |
| 2   | 36 DK00 20 | Kit Outer Tube              | 1        | Ref Page No.104       |
| 3   | DJ 1810 87 | Oil Seal                    | 2        |                       |
| 4   | DH 1810 63 | Outer Tube Lh               | 1        |                       |
| 5   | DH 1810 64 | Outer Tube Rh               | 1        |                       |
|     | DH 1811 01 | Outer Tube Rh               | 1        | From- 08.07.2010      |
| 6   | 30 1810 26 | Gasket                      | 2        |                       |
| 7   | 30 1810 25 | Bolt                        | 2        |                       |
| 8   | DS 1810 77 | Cylinder Comp. Fork         | 2        |                       |
| 9   | DJ 1811 03 | Pipe Comp. Suspension Inner | 2        |                       |
|     | DH 1810 87 | Pipe Comp. Suspension Inner | 2        | C-21 dated 29/01/2010 |
| 10  | DS 1810 71 | Slide Bush                  | 2        |                       |
| 11  | 39 0789 12 | Spring Washer               | 2        |                       |
| 12  | 39 1813 04 | Bolt                        | 2        |                       |
| 13  | DJ 1811 04 | Spring Front Fork           | 2        |                       |
| 14  | DH 1810 09 | Grommet Top                 | 2        |                       |
| 15  | DH 1810 15 | Bolt Fork                   | 2        |                       |
| 16  | 30 1810 29 | 'O' Ring                    | 2        |                       |
| 17  | 30 1810 28 | Seat Fork Spring            | 2        |                       |
| 18  | DS 1810 85 | Spacer Tube                 | 2        |                       |
|     | DH 1810 83 | Spacer Tube                 | 2        | C-21 dated 29/01/2010 |
| 19  | DM 1810 10 | Washer                      | 2        |                       |
| 20  | 30 1810 44 | Bolt                        | 1        |                       |
| 21  | DH 1810 56 | Holder Fork Upper           | 1        |                       |
|     | DH 1810 91 | Holder Fork Upper           | 1        | C-21 dated 29/01/2010 |
| 22  | DG 1810 08 | Socket Bolt                 | 2        |                       |
| 23  | DJ 1810 85 | Cushion Rubber              | 2        |                       |
| 24  | DJ 1810 52 | Cover Trail B               | 4        |                       |
| 25  | DH 1810 66 | Lamp Shade Assly.           | 1        |                       |
|     | DH 1810 92 | Lamp Shade Assly.           | 1        | C-21 dated 29/01/2010 |
| 26  | DH 1810 25 | Bearing Cone                | 1        |                       |
| 27  | DJ 1810 41 | Holder Fork Under           | 1        |                       |

Painted Parts & Decals



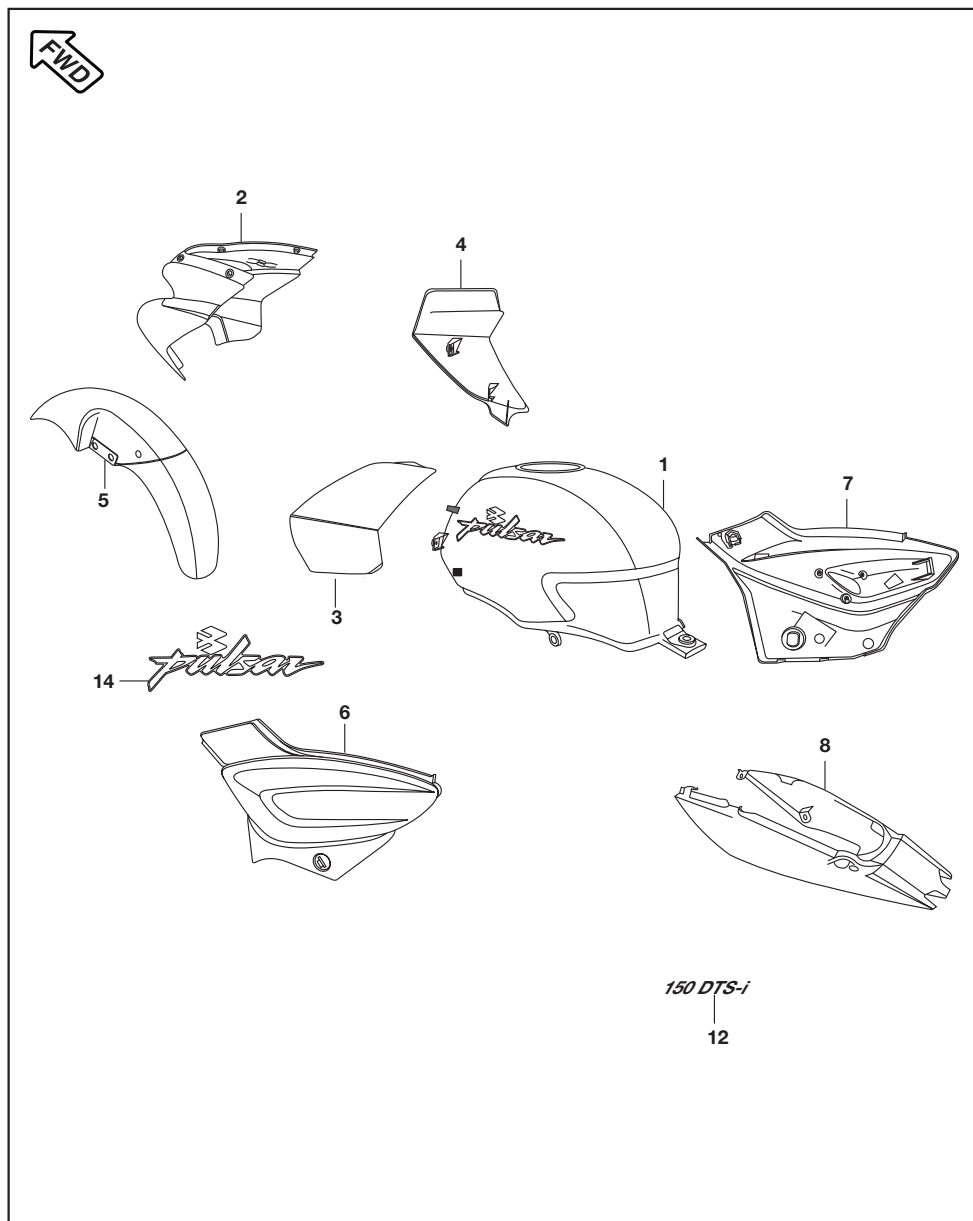
| No.        | Part No.                    | Description                  | Qty/Veh.        | Remarks           |
|------------|-----------------------------|------------------------------|-----------------|-------------------|
| 1          | DH 7103 4M                  | Fuel Tank With Decal         | 1               | Midnight Black    |
|            | DH 7103 2V                  | Fuel Tank With Decal         | 1               | Cocktail Wine Red |
|            | DH 7103 4K                  | Fuel Tank With Decal         | 1               | Plasma Blue       |
|            | DH 7103 4L                  | Fuel Tank With Decal         | 1               | Misty Gray Silver |
|            | DJ 7201 4M                  | Fuel Tank With Decal Black   | 1               | From 17.11.2009   |
|            | DJ 7201 2V                  | Fuel Tank With Decal Red     | 1               | From 17.11.2009   |
|            | DJ 7201 4K                  | Fuel Tank With Decal Blue    | 1               | From 17.11.2009   |
|            | DJ 7201 4L                  | Fuel Tank With Decal Silver  | 1               | From 17.11.2009   |
|            | DJ 7107 5G                  | Fuel Tank With Decal Pl Blue | 1               | From 03.09.2011   |
| DJ 7107 5F | Fuel Tank With Decal CW Red | 1                            | From 03.09.2011 |                   |
| 2          | 52 DH05 34                  | Side Cover LH                | 1               | Midnight Black    |
|            | 52 DH05 30                  | Side Cover LH                | 1               | Cocktail Wine Red |
|            | 52 DH05 28                  | Side Cover LH                | 1               | Plasma Blue       |
|            | 52 DH05 32                  | Side Cover LH                | 1               | Misty Gray Silver |
| 3          | 52 DH05 35                  | Side Cover RH                | 1               | Midnight Black    |
|            | 52 DH05 31                  | Side Cover RH                | 1               | Cocktail Wine Red |
|            | 52 DH05 29                  | Side Cover RH                | 1               | Plasma Blue       |
|            | 52 DH05 33                  | Side Cover RH                | 1               | Misty Gray Silver |
| 4          | DH 7303 4M                  | Seat Cowl Assly.             | 1               | Midnight Black    |
|            | DH 7303 2V                  | Seat Cowl Assly.             | 1               | Cocktail Wine Red |
|            | DH 7303 4K                  | Seat Cowl Assly.             | 1               | Plasma Blue       |
|            | DH 7303 4L                  | Seat Cowl Assly.             | 1               | Misty Gray Silver |
| 5          | DJ 7302 4M                  | Front Fender                 | 1               | Midnight Black    |
|            | DJ 7302 2V                  | Front Fender                 | 1               | Cocktail Wine Red |
|            | DJ 7302 4K                  | Front Fender                 | 1               | Plasma Blue       |
|            | DJ 7302 4L                  | Front Fender                 | 1               | Misty Gray Silver |
| 6          | DH 7401 4M                  | Fairing                      | 1               | Midnight Black    |
|            | DH 7401 2V                  | Fairing                      | 1               | Cocktail Wine Red |
|            | DH 7401 4K                  | Fairing                      | 1               | Plasma Blue       |
|            | DH 7401 4L                  | Fairing                      | 1               | Misty Gray Silver |

Painted Parts & Decals



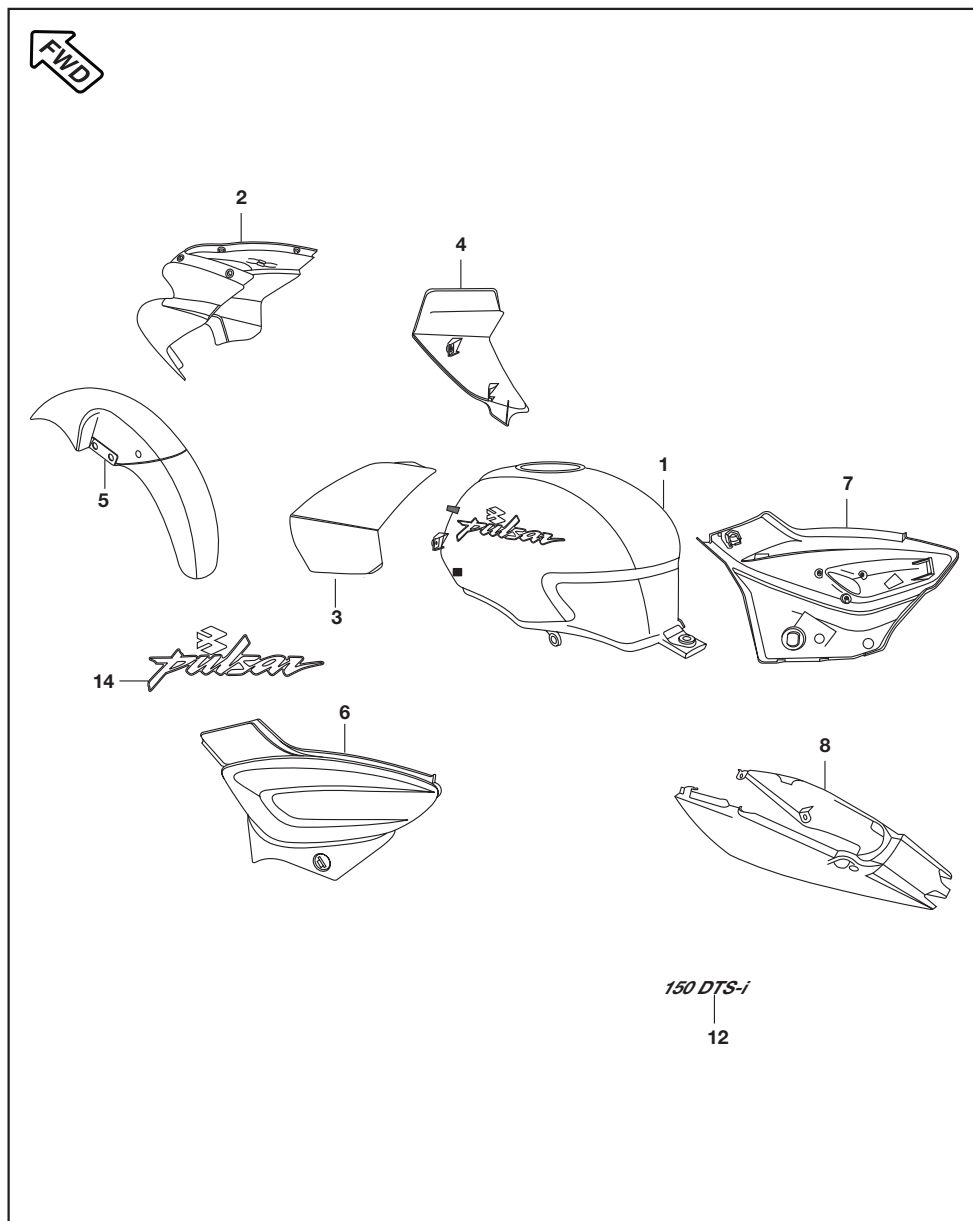
| No. | Part No.   | Description                       | Qty/Veh. | Remarks               |
|-----|------------|-----------------------------------|----------|-----------------------|
|     | 52 DH06 83 | Fairing PI Blue-Blue Dcl          | 1        | From 03.09.2011       |
|     | 52 DH06 82 | Fairing CW Red-Red Dcl            | 1        | From 03.09.2011       |
| 7   | 52 DH05 47 | Tank Flap LH                      | 1        | Midnight Black        |
|     | 52 DH05 41 | Tank Flap LH                      | 1        | Cocktail Wine Red     |
|     | 52 DH05 43 | Tank Flap LH                      | 1        | Plasma Blue           |
|     | 52 DH05 45 | Tank Flap LH                      | 1        | Misty Gray Silver     |
| 8   | 52 DH05 48 | Tank Flap RH                      | 1        | Midnight Black        |
|     | 52 DH05 42 | Tank Flap RH                      | 1        | Cocktail Wine Red     |
|     | 52 DH05 44 | Tank Flap RH                      | 1        | Plasma Blue           |
|     | 52 DH05 46 | Tank Flap RH                      | 1        | Misty Gray Silver     |
| 9   | DH 1613 71 | Pulsar 150 Decal                  | 2        | Common For All Colour |
|     | 36 DH40 42 | Kit S Cowl Dcl-Blue               | 1        | From 03.09.2011       |
|     | 36 DH40 43 | Kit S Cowl Dcl-Red                | 1        | From 03.09.2011       |
| 10  | JC 1410 51 | 'B' Monogram Tank black Chrome    | 1        | For Silver Colour     |
|     | JC 1410 50 | 'B' Monogram Tank gray Chrome     | 1        | For Black, Blue & Red |
| 11  | 36 JC00 08 | 'Pulsar' Decal Kit LH Black Crome | 1        | For Silver Colour     |
|     | 36 JC00 09 | 'Pulsar' Decal Kit RH Black Crome | 1        | For Silver Colour     |
|     | 36 JC00 10 | 'Pulsar' Decal Kit LH Gray Crome  | 1        | For Black, Blue & Red |
|     | 36 JC00 11 | 'Pulsar' Decal Kit RH Gray Crome  | 1        | For Black, Blue & Red |
| 12  | DJ 1410 61 | Beading (On Tank Flap)            | 2        | N.I.                  |
| 13  | 36 DH40 35 | Kit Fairing Dcl-Blue              | 1        | From 03.09.2011       |
|     | 36 DH40 38 | Kit Fairing Dcl-Red               | 1        | From 03.09.2011       |
| 14  | 36 DK00 84 | Kit Side Cover Dcl-Blue           | 1        | From 03.09.2011       |
|     | 36 DK00 88 | Kit Side Cover Dcl-Red            | 1        | From 03.09.2011       |
| 15  | 36 DH40 34 | Kit Tank Dcl-Blue                 | 1        | From 03.09.2011       |
|     | 36 DH40 37 | Kit Tank Dcl-Red                  | 1        | From 03.09.2011       |

Painted Parts - 2 Tone Decals & Graphics



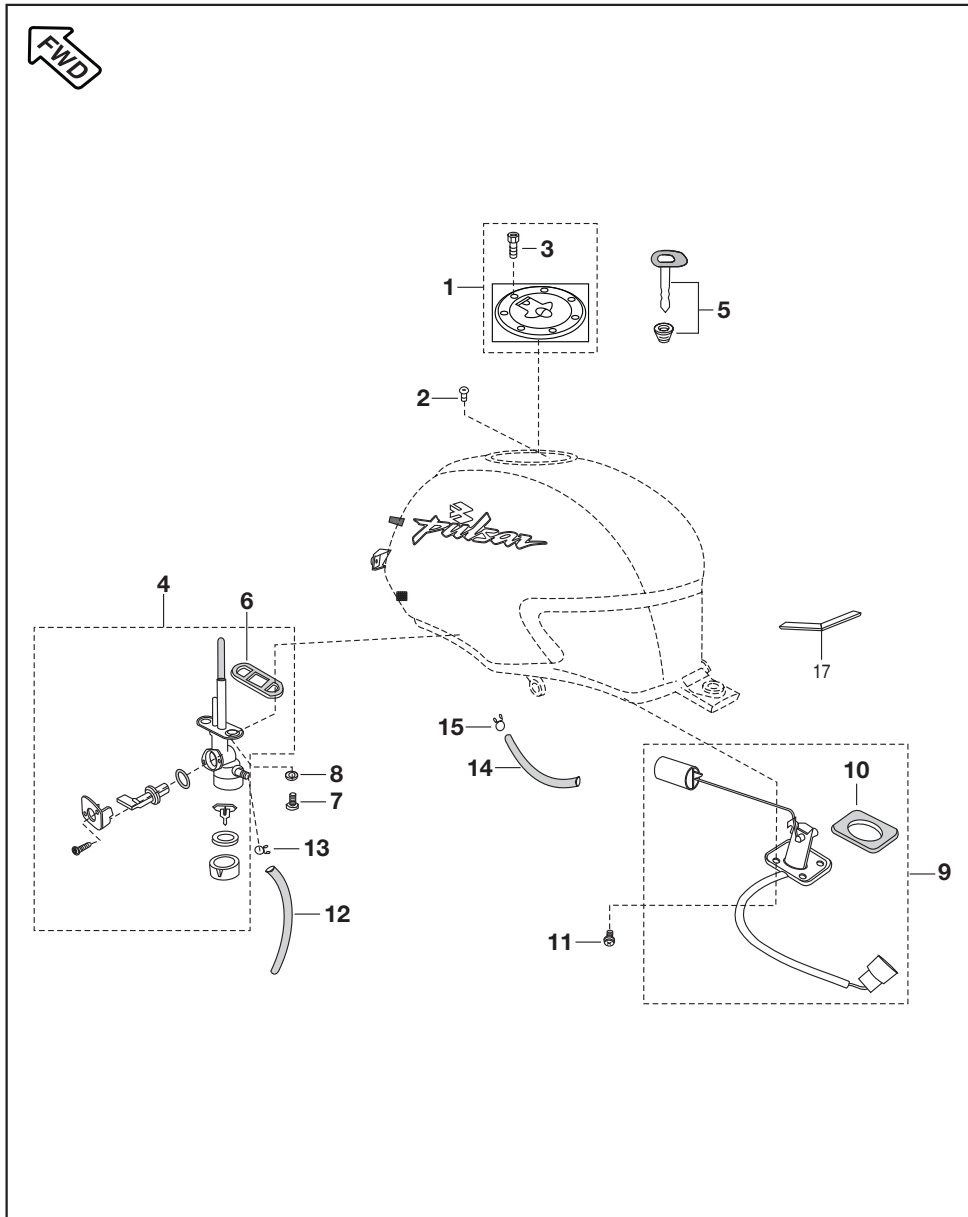
| No. | Part No.   | Description                     | Qty/Veh. | Remarks               |
|-----|------------|---------------------------------|----------|-----------------------|
| 1   | 52 DH08 43 | P Tank K1 M Black+PI Silver Dcl | 1        |                       |
|     | 52 DJ05 46 | P Tank K1/K2 M Black+S Blue Dcl | 1        |                       |
|     | 52 DJ05 45 | P Tank K1/K2 M Black+W Red Dcl  | 1        |                       |
|     | 52 DJ06 25 | P Tank K1/K2 E Black            | 1        | F-42 dated 30/06/2014 |
|     | 52 DJ05 57 | P Tank K1/K2 M White            | 1        | F-42 dated 30/06/2014 |
| 2   | 52 DH08 10 | Fairing K1 +Dcl PI Silver       | 1        |                       |
|     | 52 DJ05 17 | Fairing Black+Saf Blue Dcl      | 1        |                       |
|     | 52 DJ05 19 | Fairing Black+W Red Dcl         | 1        |                       |
|     | 52 DJ05 66 | Fairing E Black                 | 1        | F-42 dated 30/06/2014 |
|     | 52 DJ05 78 | Fairing M White                 | 1        | F-42 dated 30/06/2014 |
| 3   | 52 DH08 13 | K1 Flap LH Black+PI Silver Dcl  | 1        |                       |
|     | 52 DH08 11 | K1 Flap LH Black+S Blue Dcl     | 1        |                       |
|     | 52 DH08 15 | K1 Flap LH Black+W Red Dcl      | 1        |                       |
|     | 52 DH08 79 | K1 Flap LH E Black              | 1        | F-42 dated 30/06/2014 |
|     | 52 DH08 86 | K1 Flap LH M White              | 1        | F-42 dated 30/06/2014 |
| 4   | 52 DH08 14 | K1 Flap RH Black+PI Silver Dcl  | 1        |                       |
|     | 52 DH08 12 | K1 Flap RH Black+S Blue Dcl     | 1        |                       |
|     | 52 DH08 16 | K1 Flap RH Black+W Red Dcl      | 1        |                       |
|     | 52 DH08 80 | K1 Flap RH E Black              | 1        | F-42 dated 30/06/2014 |
|     | 52 DH08 87 | K1 Flap RH M White              | 1        | F-42 dated 30/06/2014 |
| 5   | 52 DH08 21 | K1 Front Fender PI Silver       | 1        |                       |
|     | 52 DJ05 20 | Front Fender Assly Saffire Blue | 1        |                       |
|     | 52 DJ05 22 | Front Fender Assly Wine Red     | 1        |                       |
|     | 52 DH08 46 | Front Fender Assly E Black      | 1        | F-42 dated 30/06/2014 |
|     | 52 DH08 85 | Front Fender Assly M White      | 1        | F-42 dated 30/06/2014 |
| 6   | 52 DH08 23 | S Cover LH+Dcl PI Silver-K1     | 1        |                       |
|     | 52 DH08 20 | Cover Side LH Saffire Blue      | 1        |                       |
|     | 52 DH08 22 | Cover Side LH Wine Red          | 1        |                       |
|     | 52 DJ05 62 | Cover Side LH E Black           | 1        | F-42 dated 30/06/2014 |
|     | 52 DJ05 34 | Cover Side LH M White           | 1        | F-42 dated 30/06/2014 |
| 7   | 52 DH08 24 | S Cover RH+Dcl PI Silver-K1     | 1        |                       |
|     | 52 DJ05 33 | Cover Side RH Saffire Blue      | 1        |                       |
|     | 52 DJ05 37 | Cover Side RH Wine Red          | 1        |                       |

Painted Parts - 2 Tone Decals & Graphics



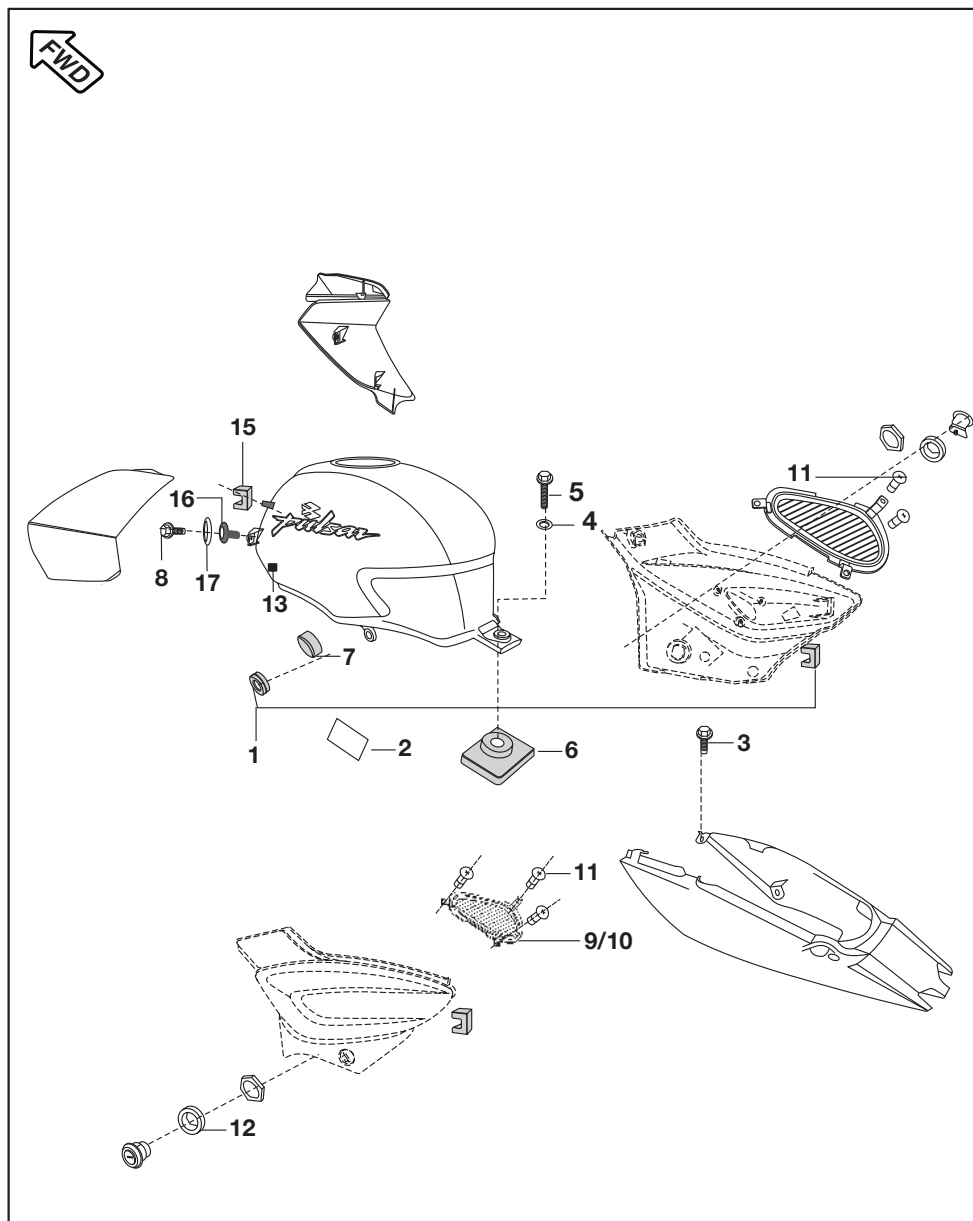
| No. | Part No.   | Description                       | Qty/Veh. | Remarks               |
|-----|------------|-----------------------------------|----------|-----------------------|
|     | 52 DJ05 63 | Cover Side RH E Black             | 1        | F-42 dated 30/06/2014 |
|     | 52 DJ05 35 | Cover Side RH M White             | 1        | F-42 dated 30/06/2014 |
| 8   | 56 DH45 6E | Seat Cowl PI Silver               | 1        |                       |
|     | 56 DK45 5N | Seat Cowl Saffire Blue            | 1        |                       |
|     | 56 DK45 27 | Seat Cowl Wine Red                | 1        |                       |
|     | 56 DK45 X3 | Seat Cowl E Black                 | 1        | F-42 dated 30/06/2014 |
|     | 56 DK45 5Y | Seat Cowl M White                 | 1        | F-42 dated 30/06/2014 |
| 9   | 36 DH40 69 | Kit Tank Dcl PI Silver-K1         | 1        |                       |
|     | 36 DJ40 46 | Kit Tank Dcl W Red-K1/K2          | 1        |                       |
|     | 36 DJ40 48 | Kit Tank Dcl S Blue-K1/K2         | 1        |                       |
|     | 36 DJ40 47 | Kit Tank Dcl M White              | 1        | F-42 dated 30/06/2014 |
| 10  | 36 DH40 64 | Kit Tank Spoiler Dcl PI Silver-K1 | 1        |                       |
|     | 36 DH40 63 | Kit Tank Spoiler Dcl W Red-K1     | 1        |                       |
|     | 36 DH40 62 | Kit Tank Spoiler Dcl S Blue-K1    | 1        |                       |
|     | 36 DH40 74 | Kit Tank Spoiler Dcl E Black      | 1        | F-42 dated 30/06/2014 |
|     | 36 DH40 77 | Kit Tank Spoiler Dcl M White      | 1        | F-42 dated 30/06/2014 |
| 11  | 36 DH40 70 | Kit S Cover Dcl PI Silver-K1      | 1        |                       |
|     | 36 DJ40 45 | Kit S Cover Dcl S Blue-K1/K2/K3   | 1        |                       |
|     | 36 DJ40 43 | Kit S Cover Dcl W Red-K1/K2/K3    | 1        |                       |
| 12  | 36 DH40 67 | Kit S Cowl Dcl PI Silver-K1       | 1        |                       |
|     | 36 DH40 65 | Kit S Cowl Dcl S Blue-K1          | 1        |                       |
|     | 36 DH40 66 | Kit S Cowl Dcl W Red-K1           | 1        |                       |
|     | 36 DH40 75 | Kit S Cowl Dcl E Black            | 1        | F-42 dated 30/06/2014 |
|     | 36 DJ40 44 | Kit S Cowl Dcl M White            | 1        | F-42 dated 30/06/2014 |
| 13  | 36 DH40 68 | Kit Fairing Dcl PI Silver-K1      | 1        |                       |
|     | 36 DJ40 39 | Kit Fairing Dcl S Blue K1/K2      | 1        |                       |
|     | 36 DJ40 37 | Kit Fairing Dcl W Red-K1/K2       | 1        |                       |
|     | 36 DH40 73 | Kit Fairing Dcl E Black           | 1        | F-42 dated 30/06/2014 |
|     | 36 DH40 79 | Kit Fairing Dcl M White           | 1        | F-42 dated 30/06/2014 |
| 14  | 36 DK01 05 | Kit Pulsar Dcl Satin LH           | 1        |                       |
|     | 36 DK01 06 | Kit Pulsar Dcl Satin RH           | 1        |                       |

Cap Tank & Gauge Fuel



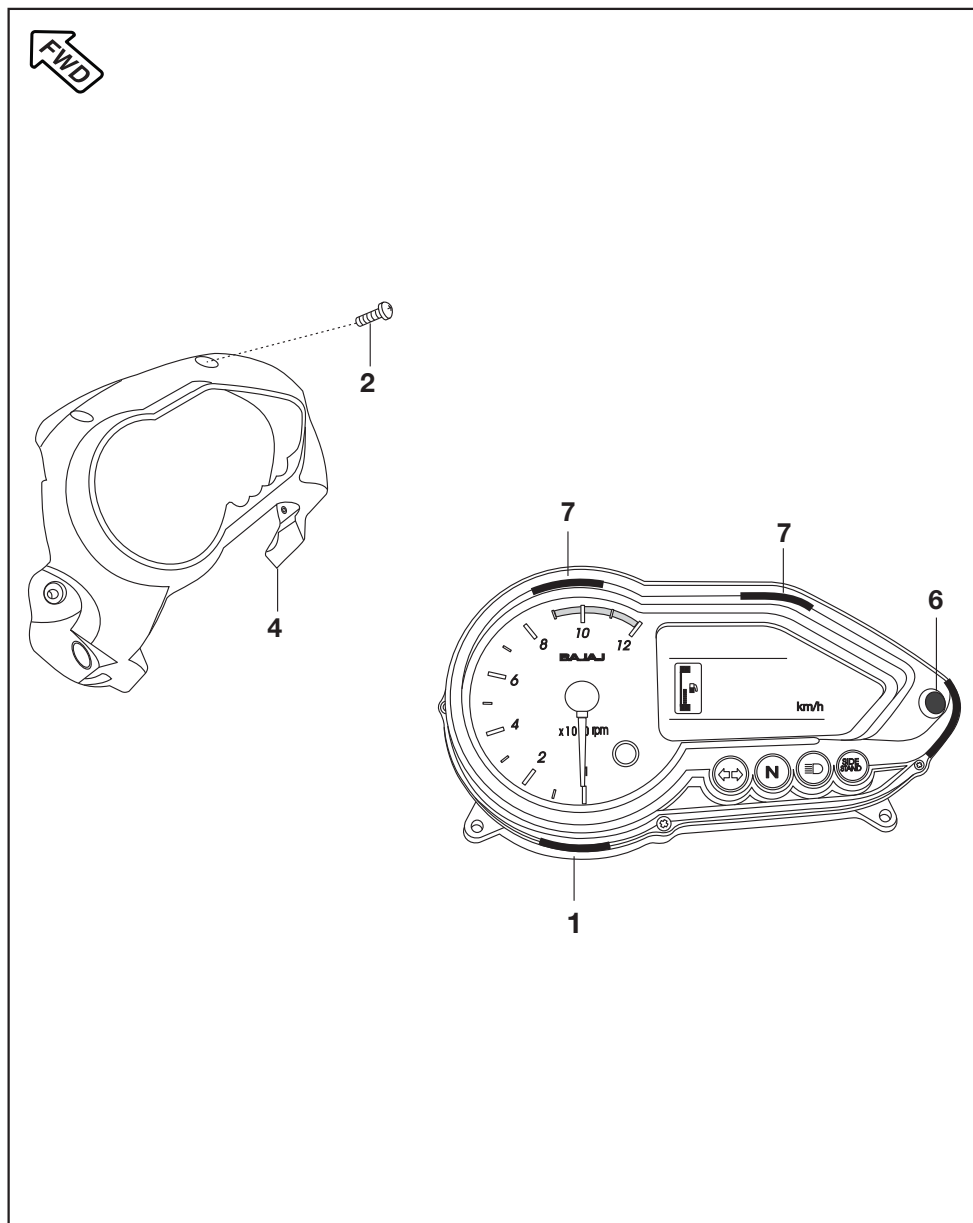
| No. | Part No.   | Description            | Qty/Veh. | Remarks         |
|-----|------------|------------------------|----------|-----------------|
| 1   | DH 1410 50 | Cap Assly. Tank        | 1        |                 |
| 2   | 30 1410 70 | Pan Head Screw         | 2        | Alt. 39 178001  |
| 3   | 39 2381 04 | Hex. Soc Hd. Cap Screw | 7        |                 |
| 4   | DK 1410 01 | Tap Assly              | 1        |                 |
| 5   | DH 1410 48 | Rotor                  | 1        |                 |
| 6   | 30 1410 39 | Packing                | 1        |                 |
| 7   | DD 1412 27 | Bolt Flanged           | 2        |                 |
| 8   | 39 0740 11 | Plain Washer           | 2        |                 |
| 9   | DH 2010 62 | Gauge Fuel TFR         | 1        |                 |
|     | DK 2010 65 | Gauge Fuel TFR         | 1        | From 17.11.2009 |
| 10  | 30 1410 28 | Gasket Fuel Gauge      | 1        |                 |
|     | 39 2758 21 | Gasket Fuel Gauge      | 1        | From 17.11.2009 |
| 11  | 30 1410 32 | Bolt                   | 4        |                 |
|     | 39 2884 15 | Nut                    | 4        | From 17.11.2009 |
| 12  | DJ 1410 06 | Tube Fuel              | 1        |                 |
| 13  | BA 1220 03 | Pipe Clip              | 1        |                 |
| 14  | DH 1410 24 | Drain Tube             | 1        |                 |
| 15  | DG 1410 28 | Clamp                  | 1        |                 |
| 16  | 30 1410 52 | Packing Cap Tank       | 1        | N.I             |
| 17  | DH 1410 20 | Seat Tape              | 1        |                 |

Fittings P. Tank, Side Cover & Cover Seat



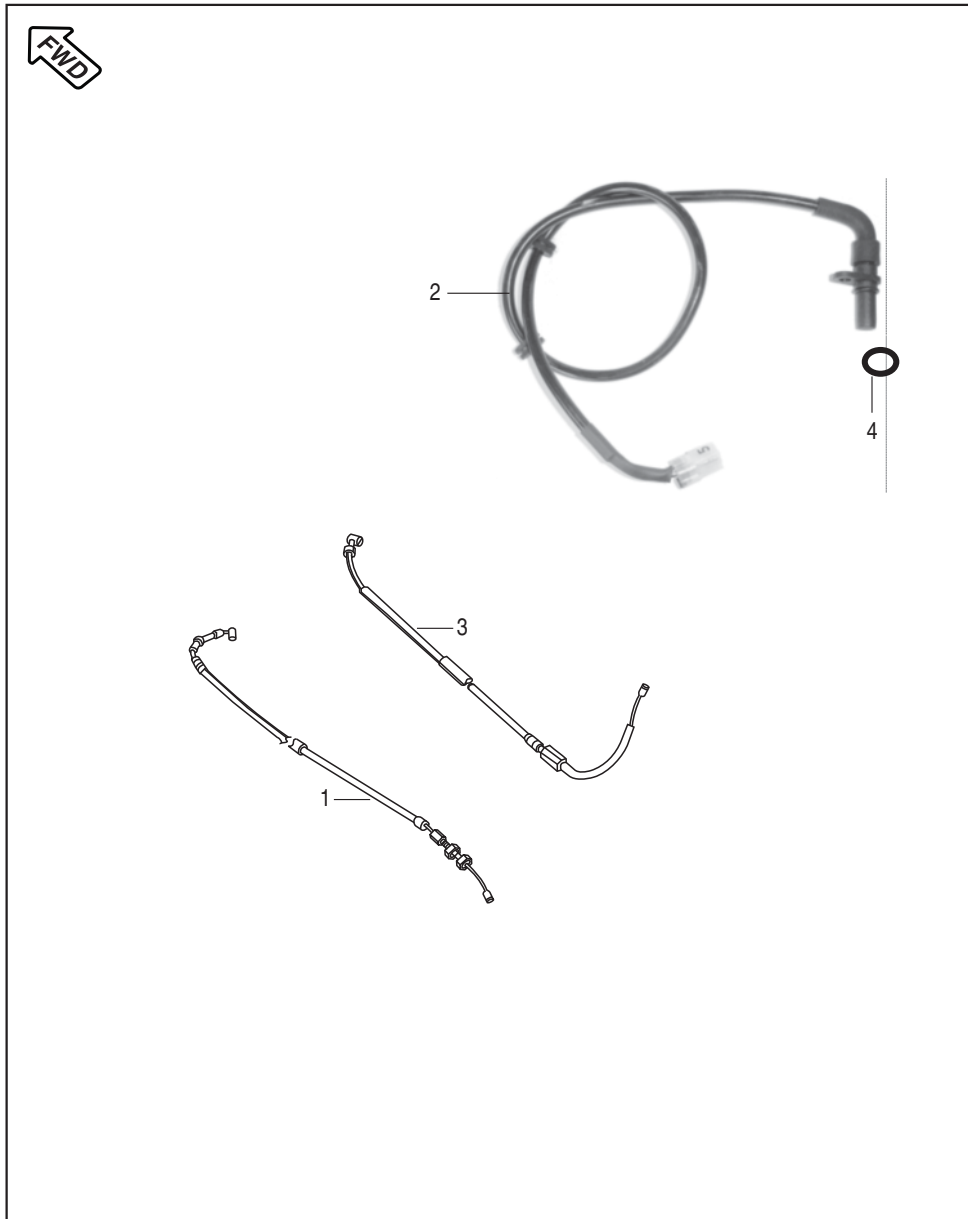
| No. | Part No.   | Description                | Qty/Veh. | Remarks           |
|-----|------------|----------------------------|----------|-------------------|
| 1   | 36 DH16 01 | Grommet Kit For Side Cover | 1        | Ref. Page No. 109 |
| 2   | DH 1410 31 | Tape Tank Inner            | 2        |                   |
| 3   | 39 1606 01 | Screw                      | 2        | Alt.DG161121      |
| 4   | 39 2424 11 | Plain Washer               | 1        |                   |
| 5   | 39 1556 04 | Flange Bolt                | 1        |                   |
| 6   | DH 1410 23 | Damper                     | 1        |                   |
| 7   | DJ 1410 08 | Damper Front               | 2        |                   |
| 8   | 39 1902 04 | Flanged Bolt               | 1        |                   |
| 9   | DK 1611 23 | Cover Side Mesh LH         | 1        |                   |
| 10  | DK 1611 24 | Cover Side Mesh RH         | 1        |                   |
| 11  | 59 0200 01 | Self Tap Screw             | 6        |                   |
| 12  | 31 1610 18 | Damper                     | 2        |                   |
| 13  | JW 1710 07 | Dual Tape                  | 2        |                   |
| 14  | JD 1710 18 | Special Tape               | 2        |                   |
| 15  | JC 1410 15 | Grommet                    | 2        |                   |
| 16  | JC 1410 17 | Grommet II                 | 2        |                   |
| 17  | JC 1410 16 | Collar                     | 2        |                   |

Meter Assembly



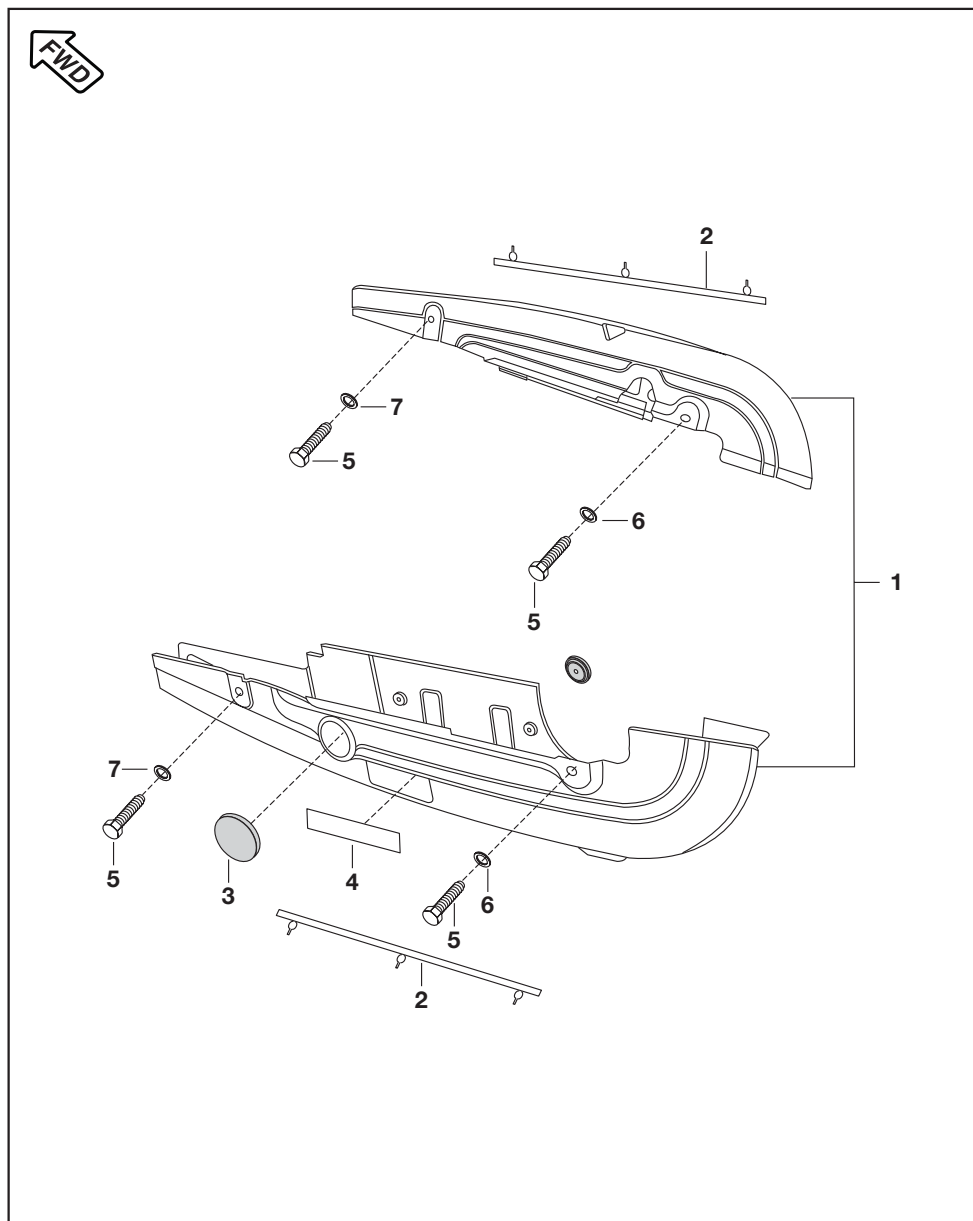
| No. | Part No.   | Description                      | Qty/Veh. | Remarks               |
|-----|------------|----------------------------------|----------|-----------------------|
| 1   | DH 1910 56 | Meter Assly / Instrument Cluster | 1        |                       |
|     | DH 1910 65 | Meter Assly / Instrument Cluster | 1        | C-43 Dated 17/08/2013 |
| 2   | 39 1778 02 | Self Tapping Screw               | 4        |                       |
| 3   | DJ 2011 37 | Dust Cover Electronic Cluster    | 1        | For Harness Coupler   |
| 4   | DJ 1811 19 | Speedo Meter Cover               | 1        | N.I.                  |
| 5   | DJ 2011 59 | Speedo Meter Top Cover           | 1        | N.I.                  |
| 6   | DJ 2011 74 | Trip Meter Knob                  | 1        |                       |
| 7   | DK 1612 09 | Tape I                           | 4        |                       |

Control Cables



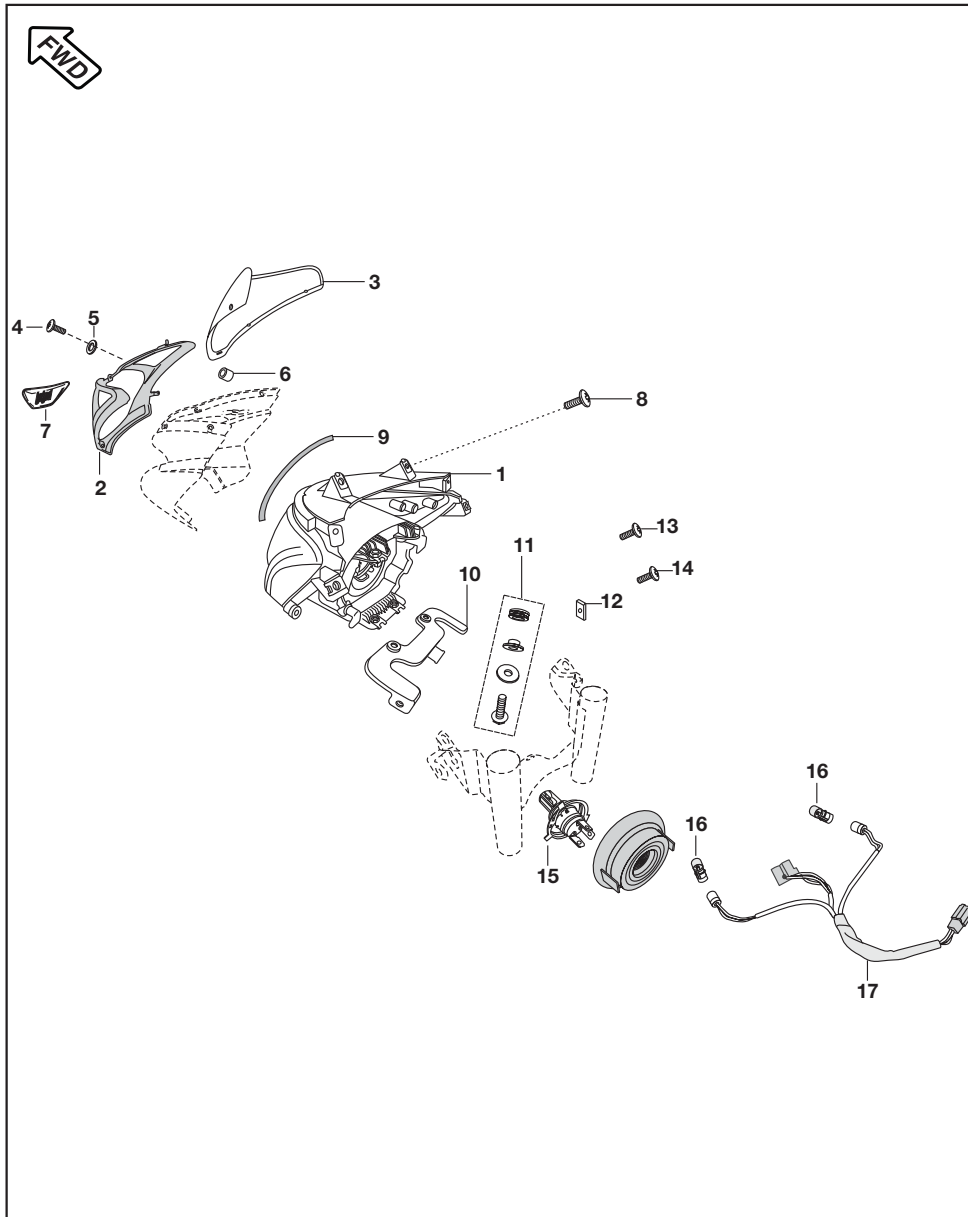
| No. | Part No.   | Description                               | Qty/Veh. | Remarks               |
|-----|------------|---|----------|-----------------------|
| 1   | DJ 1910 61 | Cable Accelerator                         | 1        |                       |
| 2   | DJ 2012 18 | Speedo Sensor With Cable 'O' Ring         | 1        |                       |
|     | DH 2010 80 | Cable Speedometer                         | 1        | F-36 Dated 07/06/2013 |
| 3   | DJ 1910 15 | Cable Clutch                              | 1        |                       |
| 4   | 59 2100 19 | 'O' Ring                                  | 1        |                       |
| 5   | DH 2010 81 | Case Meter Assembly (N.I.)                | 1        | F-36 Dated 07/06/2013 |
| 6   | DH 2010 79 | Case Meter Assly with sensor cable (N.I.) | 1        | F-36 Dated 07/06/2013 |

Chain Case



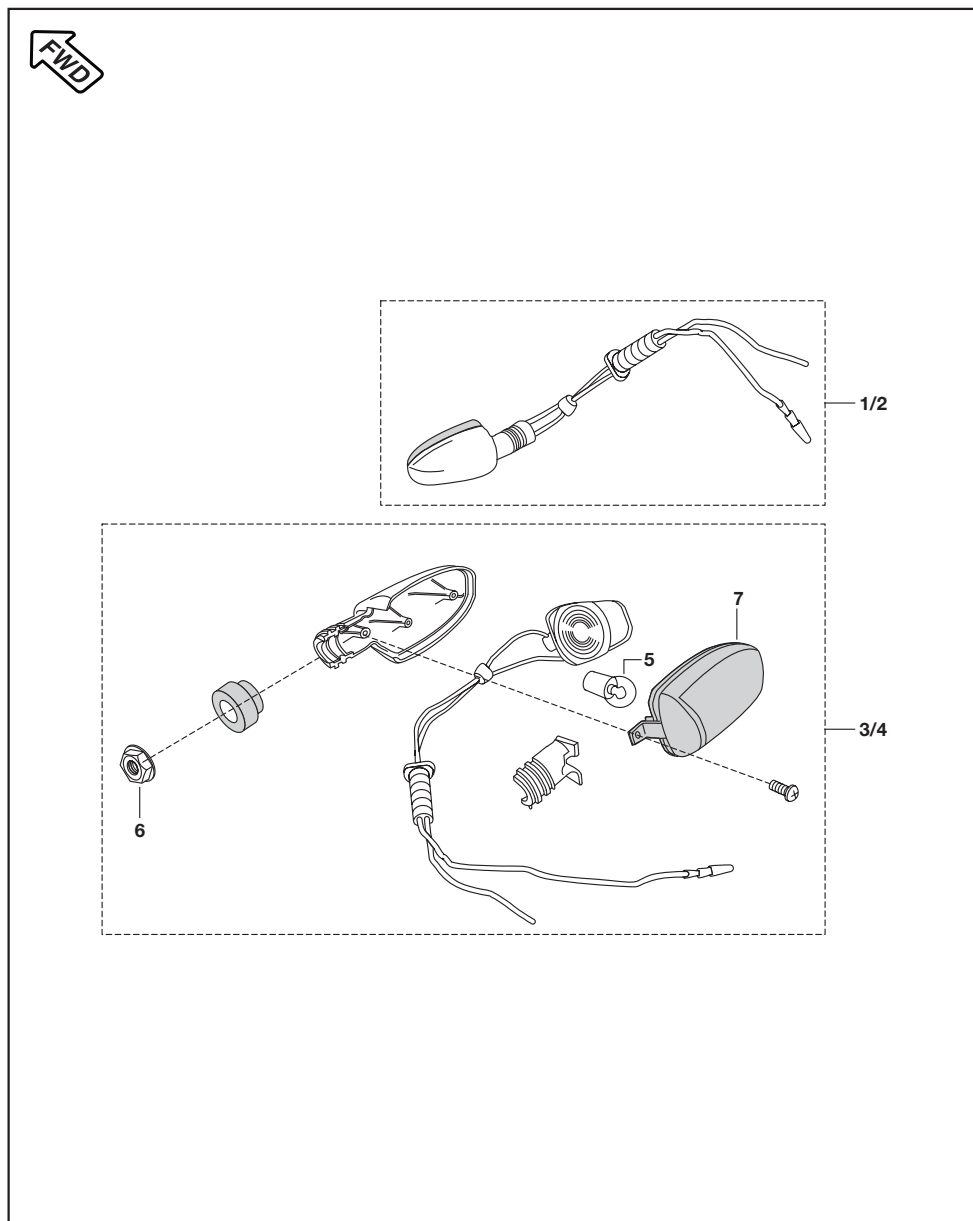
| No. | Part No.   | Description       | Qty/Veh. | Remarks         |
|-----|------------|-------------------|----------|-----------------|
| 1   | 52 DJ01 66 | Case Chain Kit    | 1        |                 |
| 2   | DH 1612 84 | Rubber Beading    | 2        |                 |
| 3   | 15 1610 69 | Rubber Cap        | 1        |                 |
| 4   | DJ 1612 27 | Instruction Label | 1        |                 |
| 5   | DH 1612 83 | Bolt              | 4        | Rear Side Mtg.  |
| 6   | DX 1610 47 | Washer            | 2        | Front Side Mtg. |
| 7   | DH 1612 80 | Plain Washer      | 2        |                 |

Head Lamp & Fairing



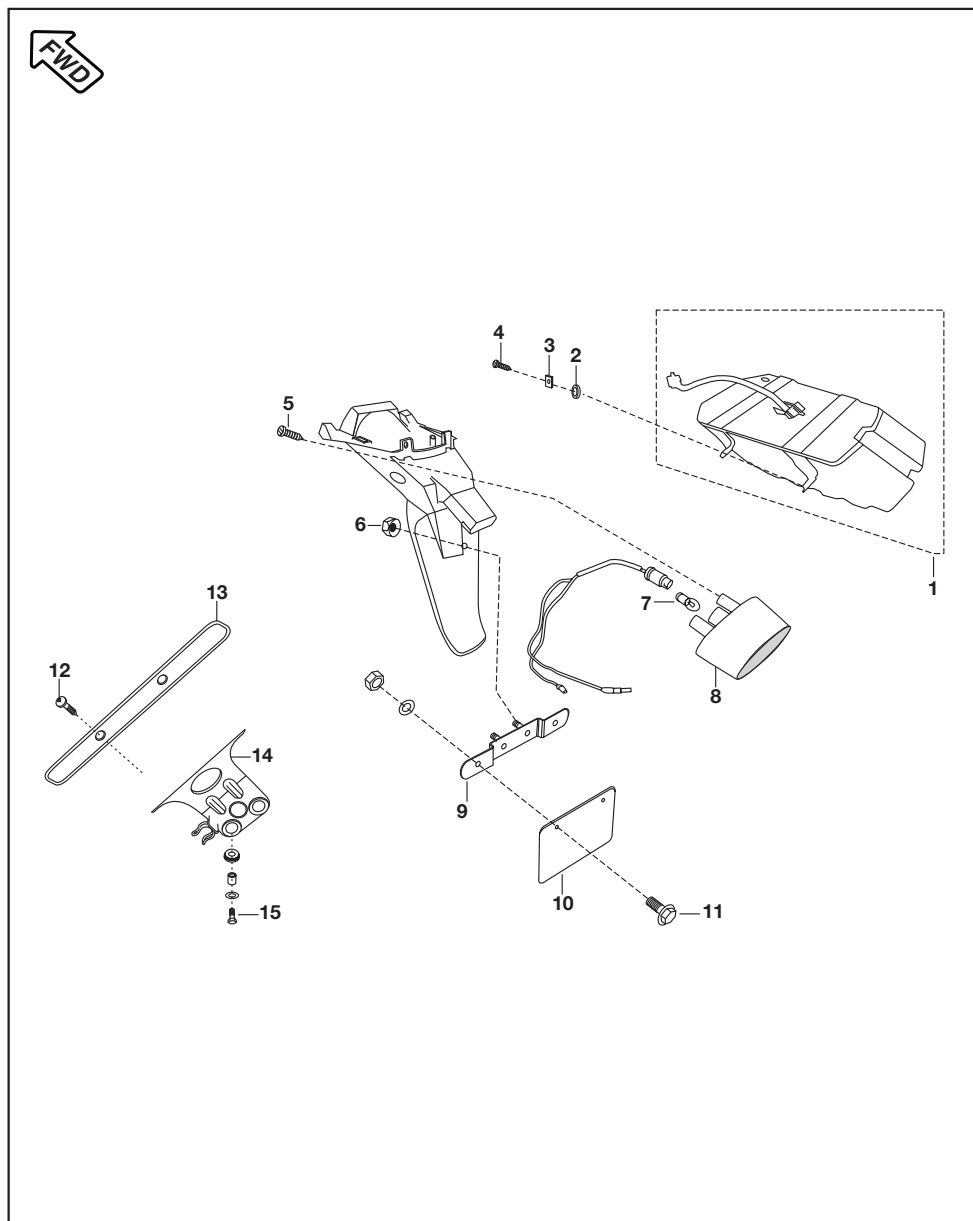
| No. | Part No.   | Description                    | Qty/Veh. | Remarks |
|-----|------------|--------------------------------|----------|---------|
| 1   | DJ 2011 76 | Head Lamp Assly. Without Bulb  | 1        |         |
| 2   | DJ 1811 20 | Back Cover                     | 1        |         |
| 3   | DJ 1810 33 | Wind Shield                    | 1        |         |
| 4   | DF 1810 98 | Bolt M-5                       | 4        |         |
| 5   | 39 2141 24 | Non Metallic Washer            | 4        |         |
| 6   | DL 1810 10 | Well Nut                       | 4        |         |
| 7   | DJ 1810 37 | Decal Wind Shield              | 1        |         |
| 8   | 39 1907 01 | M5 X 15 Mushroom HD            | 2        |         |
| 9   | DJ 1810 69 | Packing Fairing                | 1        |         |
| 10  | DH 1810 52 | Fairing Mounting Upper Bracket | 1        |         |
| 11  | 36 DH40 20 | Kit Hardware Mtg. Bracket      | 1        |         |
| 12  | DJ 1612 29 | Clip Nut                       | 4        |         |
| 13  | 39 0716 01 | Screw Pan Cross                | 2        |         |
| 14  | 39 1524 01 | Screw Pan Cross                | 2        |         |
| 15  | DD 2011 60 | Lamp 12V 35/35W-HS1            | 1        |         |
| 16  | DJ 2010 72 | Amber Bulb                     | 2        |         |
| 17  | DJ 2012 30 | Head Lamp Bulb Wiring Harness  | 1        |         |

Indicator Light Assembly



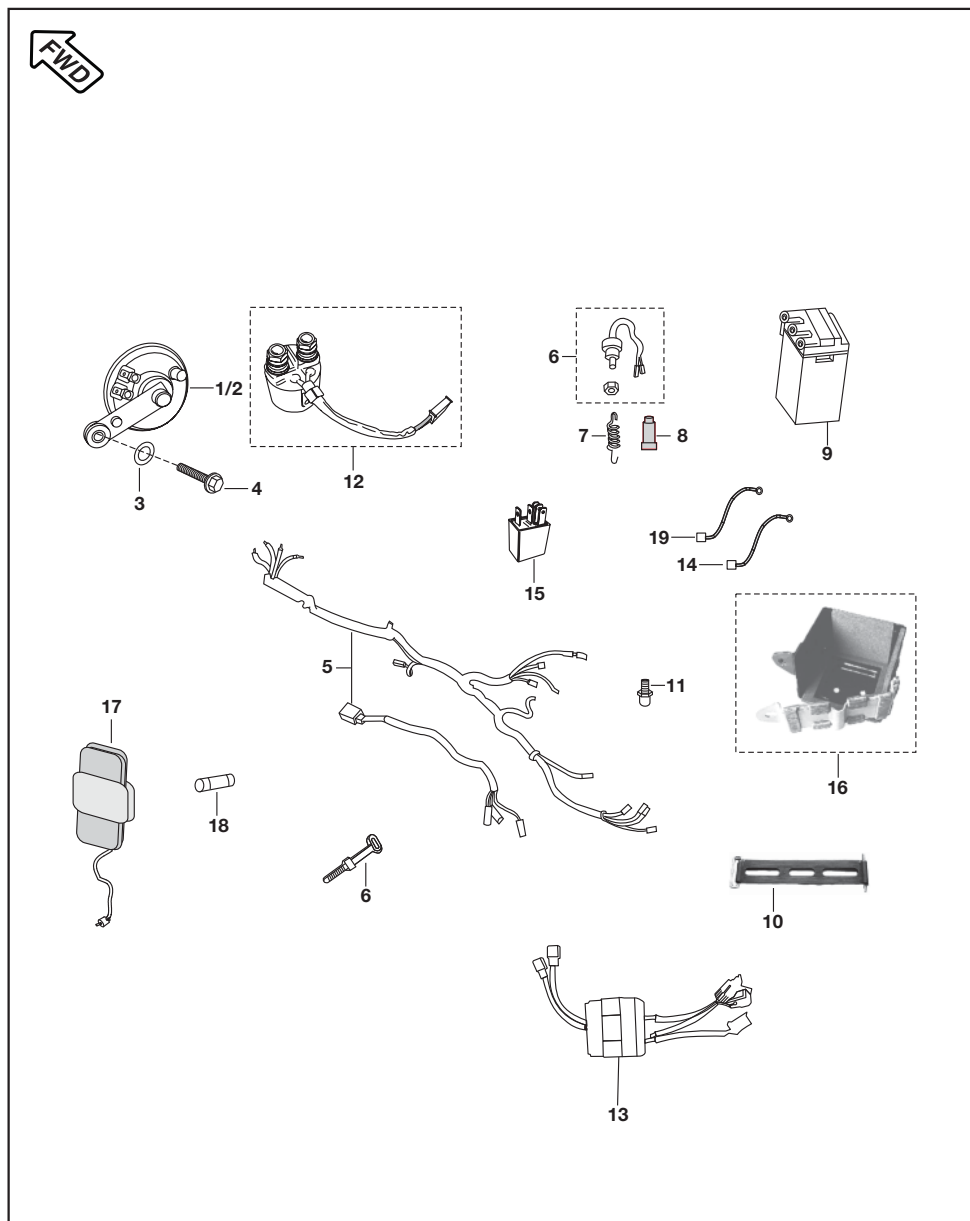
| No. | Part No.   | Description                  | Qty/Veh. | Remarks                                 |
|-----|------------|------------------------------|----------|---|
| 1   | DJ 2012 08 | Blinker Front LH Flexible    | 1        |   |
| 2   | DJ 2012 09 | Blinker Front RH Flexible    | 1        |   |
| 3   | DJ 2012 06 | Blinker RR LH Flexible       | 1        |   |
| 4   | DJ 2012 07 | Blinker RR RH Flexible       | 1        |   |
| 5   | GH 2010 12 | Lamp 12V / 10W               | 4        |   |
| 6   | 39 1225 15 | Hex Nut Flange               | 4        |   |
| 7   | DJ 2010 50 | Lens For Blinker RH          | 1        |   |
|     | DJ 2010 49 | Lens For Blinker LH          | 1        |   |
| 8   | DJ 2011 81 | Magnet Assly. SCB            | 1        | Not applicable for vehicles without BCU |
|     | 36 DH40 47 | Kit Hall Sensor & Magnet SCB | 1        | From 13.02.2012                         |

Tail Lamp Assly / FR & RR No. Plate



| No. | Part No.   | Description                | Qty/Veh. | Remarks             |
|-----|------------|----------------------------|----------|---------------------|
| 1   | DK 2010 03 | Tail Light With Lamp       | 1        |                     |
| 2   | DH 1612 93 | Damper                     | 2        |                     |
| 3   | DK 1611 53 | Clip Nut                   | 4        |                     |
| 4   | 39 2592 01 | Screw Pan Cross            | 4        |                     |
| 5   | 39 1907 01 | Truss Screw                | 2        |                     |
| 6   | 39 1972 15 | Nut Flange                 | 2        |                     |
| 7   | 30 2010 29 | Lamp 12V-4W                | 1        |                     |
| 8   | JW 4010 11 | No. Plate Illumination     | 1        |                     |
| 9   | DJ 1610 72 | Rear No. Plate Bkt.        | 1        |                     |
| 10  | DP 1611 45 | Number Plate Rear          | 1        |                     |
| 11  | 39 1680 04 | Hex Flanged Bolt           | 2        |                     |
| 12  | 39 1783 01 | Truss Screw                | 2        | For Front No. Plate |
| 13  | DP 1611 44 | Number Plate Front         | 1        |                     |
| 14  | DH 1612 92 | No. Plate Mounting Bracket | 1        |                     |
| 15  | 39 1074 04 | Bolt Flange                | 2        |                     |
| 16  | 39 1972 15 | Nut Flange                 | 2        |                     |

Electrical Equipments



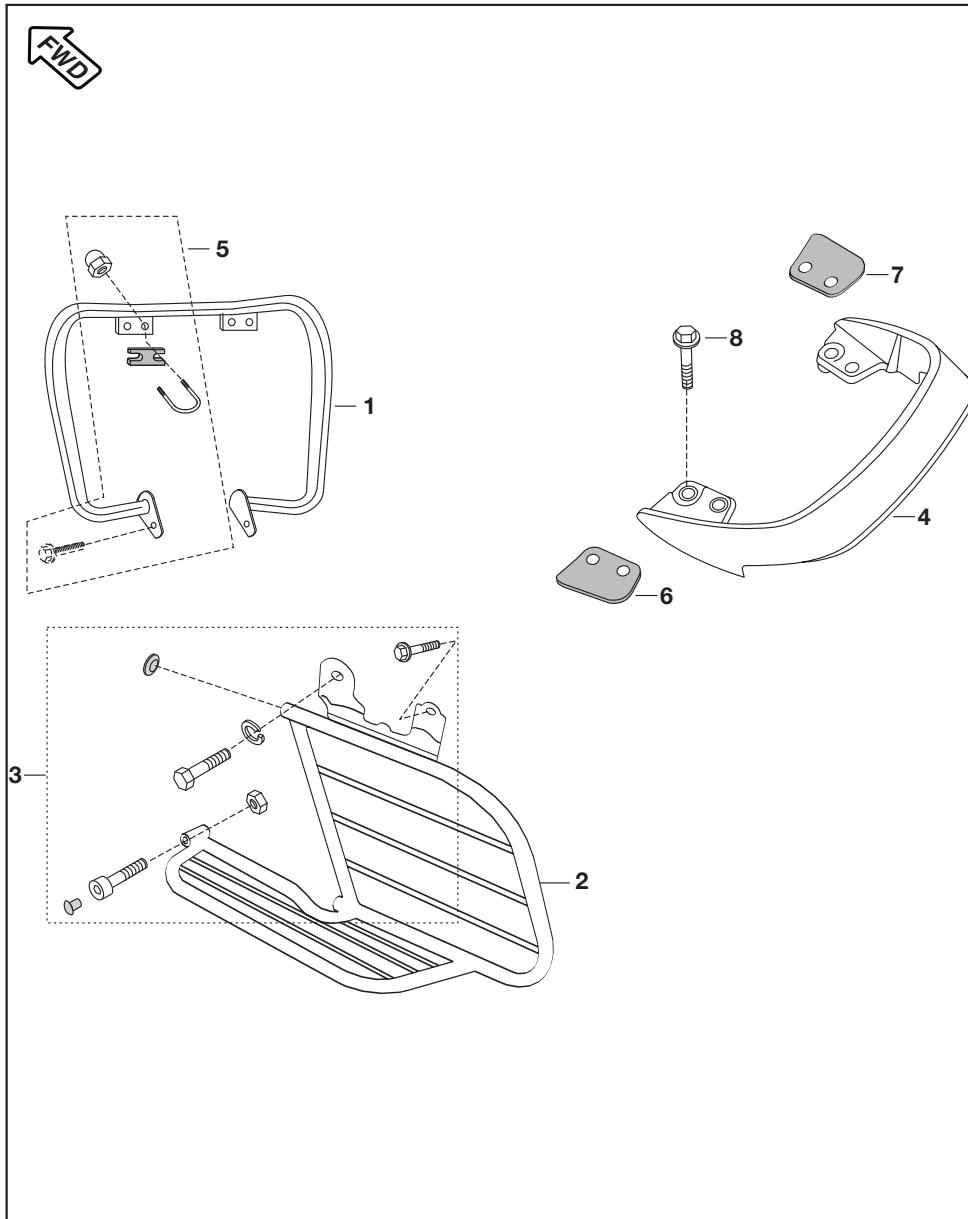
| No. | Part No.   | Description                         | Qty/Veh. | Remarks                                |
|-----|------------|-------------------------------------|----------|--|
| 1   | DH 2010 76 | Horn With LH Stay                   | 1        | From 08.07.2010                        |
| 2   | DH 2010 77 | Horn With LH Stay                   | 1        | From 08.07.2010                        |
| 3   | 39 1507 11 | Plain Washer                        | 1        |  |
| 4   | 39 1956 04 | Flange Bolt                         | 1        |  |
| 5   | DH 2010 85 | Wiring Harness                      | 1        | C-41 dated 10/08/2012                  |
|     | DH 2010 86 | Wiring Harness                      | 1        | C-43 dated 17/08/2013                  |
| 6   | 31 2010 79 | Rear Brake Switch                   | 1        | Alt. DS 2010 29                        |
| 7   | DH 1910 12 | Spring Brake Switch                 | 1        |  |
| 8   | DH 2010 19 | Grommet Rear Brake Switch           | 1        |  |
| 9   | JF 4018 01 | Battery (12V-7Ah)                   | 1        | From 24.04.2011                        |
| 10  | DH 1613 68 | Band Battery Bkt.                   | 1        | From 24.04.2011                        |
| 11  | 39 1944 04 | Flange Bolt                         | 1        |  |
| 12  | DK 2010 78 | Starter Relay                       | 1        |  |
| 13  | JC 2010 16 | Switch Electronic Control Unit      | 1        | Not applicable for vehicle without BCU |
| 14  | DJ 2011 40 | Cable Assly. (Battery To Earth)     | 1        |  |
| 15  | AL 2010 12 | Kill Switch Relay                   | 1        | Not applicable for vehicle without BCU |
|     | DJ 2010 28 | Kill Switch Relay                   | 1        | Not applicable for vehicle without BCU |
| 16  | DH 1611 26 | Bracket Battery                     | 1        |  |
| 17  | 30 2011 04 | Fuse Box Assly.                     | 1        |  |
| 18  | 30 2010 85 | Fuse                                | 1        |  |
| 19  | DJ 2010 20 | Cable Assly. (Battery To St. Relay) | 1        |  |
| 20  | DH 1613 66 | Pad I                               | 1        | From 24.04.2011                        |
| 21  | DH 1613 67 | Pad II                              | 3        | From 24.04.2011                        |
| 22  | JD 4018 06 | Battery Over Flow Pipe              | 1        | From 24.04.2011                        |
| 23  | 60111415   | Cable Tie Lock                      | 4        | C-41 dated 10/08/2012                  |
| 24  | JZ 4010 13 | HL Control Switch                   | 1        | C-43 Dated 17/08/2013                  |
| 25  | DS 2010 25 | DC Flasher                          | 1        | C-43 Dated 17/08/2013                  |
| 26  | DH 1614 21 | Bracket for Slasher FLC unit        | 1        | C-43 Dated 17/08/2013                  |
| 27  | LA D000 40 | Bolt                                | 1        | C-43 Dated 17/08/2013                  |

Tool Kit



| No. | Part No.   | Description   | Qty/Veh. | Remarks |
|-----|------------|---------------|----------|---------|
| 1   | DJ 2210 06 | Tool Kit      | 1        |         |
| 2   | DH 2110 05 | Band Tool Kit | 2        |         |

Accessories / Grab Handle



| No. | Part No.   | Description             | Qty/Veh. | Remarks               |
|-----|------------|-------------------------|----------|-----------------------|
| 1   | DJ 1612 26 | Leg Guard assly         | 1        |                       |
| 2   | DJ 2210 16 | Sari Guard Assly.       | 1        |                       |
| 3   | 36 DH40 17 | Kit Hardware Sari Guard | 1        | Ref. Page No.109      |
| 4   | DJ 1612 63 | Grab Handle             | 1        |                       |
|     | DH 1614 10 | Grab Handle-Black       | 1        | From 03.09.2011       |
| 5   | 36 DH40 18 | Kit Hardware Leg Gaurd  | 1        | Ref. Page No.109      |
| 6   | DJ 1610 79 | Foam LH For Grab        | 1        |                       |
| 7   | DJ 1610 80 | Foam RH For Grab        | 1        |                       |
| 8   | 39 2310 04 | Flange Bolt             | 4        |                       |
|     | 52 DH07 67 | Kit Leg Guard           | 1        | C-44 dated 23/08/2013 |

| Sr. No. | Kit Part No. | Kit Description            | Consisting of Following Parts |                               |          |
|---------|--------------|----------------------------|-------------------------------|-------------------------------|----------|
|         |              |                            | Part No.                      | Description                   | Qty./Kit |
| 1       | 36DS1001     | Cyl.Head O Ring Kit        | 39239121                      | O Ring (Cover tappet)         | 2        |
|         |              |                            | 39128321                      | O ring                        | 2        |
| 2       | 36DS1002     | Valve Kit                  | DS101023                      | Valve Intake                  | 1        |
|         |              |                            | Ds101024                      | Valve Exhaust                 | 1        |
| 3       | 36DK0005     | Valve Repair Kit           | DS101083                      | Retainer valve spring         | 2        |
|         |              |                            | DH101731                      | Spring valve inner            | 2        |
|         |              |                            | DH101730                      | Spring valve outer            | 2        |
|         |              |                            | DH101026                      | Seat valve spring             | 2        |
| 4       | 36DK0039     | Guide Chain Kit            | DH101017                      | Guide chain (Tight)           | 1        |
|         |              |                            | DK101059                      | Guide Chain (slack)           | 1        |
| 5       | 36DH4009     | Set primary drive & driven | DH101628                      | Gear primary drive            | 1        |
|         |              |                            | DH101859                      | Clutch Housing com.           | 1        |
| 6       | 36DH4019     | Kit centrifugal oil filter | 39220011                      | Washer                        | 1        |
|         |              |                            | DH101234                      | Gasket centrifugal oil filter | 1        |
|         |              |                            | Dh101640                      | Screw                         | 1        |
|         |              |                            | DH101066                      | Join oil dealivery            | 1        |
|         |              |                            | DH101067                      | Spring oil delivery           | 1        |
|         |              |                            | 39219908                      | Pin oil delivery joint        | 1        |
| 7       | 36DH1004     | Set Damper                 | DH101284                      | Damper A                      | 1        |
|         |              |                            | DH101285                      | Damper B                      | 1        |
|         |              |                            | DH101286                      | Damper C                      | 1        |
|         |              |                            | DH101287                      | Damper D                      | 1        |
| 8       | 36DH1005     | Set of Plate               | DH101288                      | Plate A                       | 1        |
|         |              |                            | DH101289                      | Plate B                       | 1        |
|         |              |                            | DH101290                      | Plate C                       | 1        |
|         |              |                            | DH101291                      | Plate D                       | 1        |
| 9       | 36DH1006     | Set Damper                 | DH101282                      | Damper Cover Magneto          | 1        |
|         |              |                            | DH101292                      | Damper A Cover LH RR          | 1        |
|         |              |                            | DH101294                      | Damper B Cover LH RR          | 1        |
| 10      | 36DH1007     | Set of Plate               | DH101283                      | Plate Damper                  | 1        |
|         |              |                            | DH101293                      | Plate Damper Cover LH RR      | 1        |
| 11      | 36DH1008     | Boss Kick Set              | DH101185                      | Spring Kick Starter Arm       | 1        |
|         |              |                            | DH101068                      | Ball steel                    | 1        |
|         |              |                            | DH101547                      | Base kick lever               | 1        |
|         |              |                            | DH101548                      | Hex. bolt with flange         | 1        |
|         |              |                            | DH101320                      | Bolt                          | 1        |
| 12      | 36DH4010     | Kit Hardware Air Cleaner   | DH101320                      | Bracket lock                  | 1        |
|         |              |                            | 1110609                       | Plain washer                  | 1        |
|         |              |                            | 39178001                      | Screw pan cross               | 1        |
|         |              |                            | 39177304                      | Bolt flange                   | 4        |
|         |              |                            | 31121043                      | Coller                        | 3        |
|         |              |                            | 39071111                      | Plain washer                  | 3        |



|    | Kit Part No. | Kit Description              | Consisting of Following Parts |                              |          |
|----|--------------|------------------------------|-------------------------------|------------------------------|----------|
|    |              |                              | Part No.                      | Description                  | Qty./Kit |
| 13 | 36DK0015     | Kit element air filter       | DK121002                      | Element air filter fine      | 1        |
|    |              |                              | DK121003                      | Element air filter coarse    | 1        |
| 14 | 36DH4011     | Kit hardware shield          | DH101301                      | Seal shield muflar           | 2        |
|    |              |                              | DH101395                      | Trust screw                  | 2        |
|    |              |                              | DH101481                      | Grommet shield               | 1        |
| 15 | 36DK0009     | Kit hardware silencer        | 39185004                      | Flange bolt                  | 1        |
|    |              |                              | 39242511                      | Plain washer                 | 1        |
|    |              |                              | DD161071                      | U nut                        | 1        |
|    |              |                              | DH161155                      | Damper silencer              | 1        |
|    |              |                              | DH161157                      | Tube silencer mounting       | 1        |
| 16 | 36DK0011     | Kit hardware engine mounting | 39231204                      | Bolt flange                  | 4        |
|    |              |                              | 39197015                      | Nut flange                   | 8        |
|    |              |                              | 39241304                      | Bolt flange                  | 1        |
|    |              |                              | DH161245                      | U Nut                        | 3        |
| 17 | 36DS1802     | Bearing cone kit             | DH181025                      | Bearing cone                 | 1        |
|    |              |                              | DH181026                      | Bearing race                 | 1        |
|    |              |                              | DH181024                      | Upper bearing race           | 1        |
| 18 | 36DK0012     | Kit bush rear shock absorber | 39071411                      | Plain washer                 | 8        |
|    |              |                              | 39071215                      | Dome cap nut                 | 2        |
|    |              |                              | 39073712                      | Spring washer                | 2        |
| 19 | 36DK0013     | Kit hardware pillion         | DJ161186                      | Plait side pillion stape     | 2        |
|    |              |                              | DH161061                      | Pin pillion set              | 2        |
|    |              |                              | 30141031                      | "O" ring                     | 2        |
|    |              |                              | 39104011                      | Plain washer                 | 2        |
|    |              |                              | 39078408                      | Split pin                    | 2        |
| 20 | 36DH4012     | Kit lever brake              | 30151038                      | "O" ring                     | 1        |
|    |              |                              | 30101005                      | Indicator                    | 1        |
|    |              |                              | DJ151059                      | Lever brake                  | 1        |
|    |              |                              | 39244704                      | Lever brake                  | 1        |
|    |              |                              | 39079815                      | Nut                          | 1        |
| 21 | 36DH4013     | Chain sprocket kit           | DH151056                      | Sprocket (43 teeth)          | 1        |
|    |              |                              | Dh151051                      | Chain                        | 1        |
|    |              |                              | DH101117                      | Sprocket Drive               | 1        |
| 22 | 36DK0016     | Kit hardware bracket pedal   | 39212104                      | Flange bolt                  | 1        |
|    |              |                              | DH191013                      | Sprocket brake shifter assly | 1        |
|    |              |                              | 39153721                      | "O" ring                     | 1        |
|    |              |                              | DH191023                      | Dust cap                     | 1        |

| Sr. No. | Kit Part No. | Kit Description               | Consisting of Following Parts |                          |          |
|---------|--------------|-------------------------------|-------------------------------|--------------------------|----------|
|         |              |                               | Part No.                      | Description              | Qty./Kit |
| 23      | 36DH4014     | Kit hardware rod bracket      | 30901038                      | Pin                      | 1        |
|         |              |                               | 39019811                      | Plain washer             | 1        |
|         |              |                               | 39080808                      | Split pin                | 1        |
|         |              |                               | 30191035                      | Spring                   | 1        |
|         |              |                               | 15191026                      | Pin                      | 1        |
|         |              |                               | DH191045                      | Brake adjustment nut     | 1        |
| 24      | 36DH4015     | Kit hardware rod torque       | 39078912                      | Spring washer            | 2        |
|         |              |                               | 3079415                       | Nut lock                 | 2        |
|         |              |                               | 39080708                      | Pin snap                 | 2        |
|         |              |                               | 39154011                      | Plain washer             | 1        |
| 25      | 36DK0019     | Kit hardware holder LH        | 30191024                      | Screw                    | 1        |
|         |              |                               | 30191017                      | Nut                      | 1        |
|         |              |                               | 39021911                      | Plain washer             | 1        |
|         |              |                               | 39072504                      | Hex bolt                 | 1        |
| 26      | 36DK0020     | Kit outer tube                | DJ181089                      | Seal dust                | 2        |
|         |              |                               | DJ181088                      | Ring snap                | 2        |
|         |              |                               | DS181072                      | Guide bush washer        | 2        |
|         |              |                               | DS181070                      | Guide bush               | 2        |
| 27      | 36DH1601     | Grommet kit for side cover    | Dh161158                      | Grommet side cover       | 4        |
|         |              |                               | DH161133                      | Grommet side cover rear  | 2        |
| 28      | 52DJ0166     | Chin case kit                 | DJ161230                      | Case chain upper assly   |          |
|         |              |                               | DJ161231                      | Case chain lower assly   |          |
| 29      | 36DH4020     | Kit hardware fairing mounting | DJ181029                      | Coller faring mounting   | 6        |
|         |              |                               | DJ181064                      | Grommet fearing mounting | 6        |
|         |              |                               | 39021111                      | Plain washer             | 4        |
|         |              |                               | 39155204                      | Flange bolt              | 4        |
| 30      | 36DH4018     | Kit hardware leg guard        | DJ161176                      | Hook leg guard           | 2        |
|         |              |                               | Dj161175                      | Spacer II leg guard      | 2        |
|         |              |                               | 39155604                      | Dome cap nut             | 4        |
| 31      | 36DH4017     | Kit hardware saree guard      | 39155604                      | Flange bolt              | 1        |
|         |              |                               | 39078912                      | Spring washer            | 1        |
|         |              |                               | 39008004                      | Bolt                     | 1        |
|         |              |                               | 39029615                      | Hex nut                  | 1        |
|         |              |                               | DD221003                      | Plug                     | 1        |
|         |              |                               | 39160804                      | Hex socket bolt          | 1        |
|         |              |                               |                               |                          |          |



| Part No. | Figure No. | Page No. |
|----------|------------|----------|
| 15161069 | 3          | 98       |
| 22150451 | 7          | 54       |
| 28101174 | 14         | 24       |
| 30101061 | 21         | 16       |
| 30101142 | 3          | 26       |
| 30141028 | 10         | 90       |
| 30141032 | 11         | 90       |
| 30141039 | 6          | 90       |
| 30141052 | 16         | 90       |
| 30141070 | 2          | 90       |
| 30151012 | 7          | 70       |
| 30151033 | 4          | 64       |
| 30151038 | 27         | 70       |
| 30151069 | 5          | 70       |
| 30151075 | 2          | 70       |
| 30151082 | 19         | 70       |
| 30151095 | 8          | 72       |
| 30151105 | 6          | 70       |
| 30161157 | 2          | 60       |
| 30181011 | 3          | 50       |
| 30181025 | 7          | 80       |
| 30181026 | 6          | 80       |
| 30181028 | 17         | 80       |
| 30181029 | 16         | 80       |
| 30181044 | 20         | 80       |
| 30191017 | 10         | 76       |
| 30201029 | 7          | 104      |
| 30201085 | 18         | 106      |
| 30201104 | 17         | 106      |
| 31101106 | 11         | 2        |
| 31101106 | 16         | 24       |
| 31101173 | 4          | 12       |
| 31121006 | 9          | 10       |
| 31161018 | 12         | 92       |
| 31201079 | 6          | 106      |
| 35171033 | 17         | 52       |
| 36001052 | 12         | 50       |
| 38194304 | 19         | 78       |
| 39020111 | 13         | 56       |
| 39021111 | 12         | 58       |

| Part No. | Figure No. | Page No. |
|----------|------------|----------|
| 39029215 | 8          | 56       |
| 39029215 | 16         | 52       |
| 39042215 | 10         | 60       |
| 39045411 | 12         | 52       |
| 39055302 | 11         | 52       |
| 39071111 | 7          | 58       |
| 39071601 | 13         | 100      |
| 39072211 | 26         | 70       |
| 39073817 | 18         | 32       |
| 39074011 | 8          | 90       |
| 39074011 | 18         | 52       |
| 39075201 | 6          | 24       |
| 39078111 | 9          | 64       |
| 39078708 | 1          | 64       |
| 39078708 | 3          | 60       |
| 39078912 | 11         | 80       |
| 39079415 | 24         | 70       |
| 39080115 | 14         | 70       |
| 39084001 | 16         | 64       |
| 39084914 | 18         | 46       |
| 39090012 | 15         | 64       |
| 39099311 | 9          | 32       |
| 39099906 | 6          | 28       |
| 39099906 | 11         | 26       |
| 39104119 | 4          | 26       |
| 39106204 | 4          | 22       |
| 39106204 | 24         | 16       |
| 39106901 | 7          | 56       |
| 39107404 | 15         | 104      |
| 39107504 | 9          | 2        |
| 39118011 | 27         | 78       |
| 39118415 | 10         | 74       |
| 39122515 | 6          | 102      |
| 39128215 | 6          | 54       |
| 39128321 | 3          | 28       |
| 39128321 | 6          | 4        |
| 39128321 | 8          | 28       |
| 39150711 | 3          | 106      |
| 39152401 | 14         | 100      |
| 39155604 | 5          | 92       |

| Part No. | Figure No. | Page No. |
|----------|------------|----------|
| 39160601 | 3          | 92       |
| 39162011 | 9          | 14       |
| 39166005 | 2          | 4        |
| 39167204 | 3          | 14       |
| 39167204 | 13         | 58       |
| 39167404 | 2          | 42       |
| 39167404 | 9          | 4        |
| 39167404 | 9          | 30       |
| 39167404 | 11         | 14       |
| 39167404 | 14         | 8        |
| 39167704 | 22         | 24       |
| 39168004 | 7          | 50       |
| 39168004 | 8          | 58       |
| 39168004 | 11         | 104      |
| 39168606 | 4          | 42       |
| 39168606 | 8          | 14       |
| 39171404 | 9          | 56       |
| 39171519 | 4          | 24       |
| 39176904 | 2          | 68       |
| 39177802 | 2          | 94       |
| 39178001 | 11         | 34       |
| 39178301 | 12         | 104      |
| 39181304 | 12         | 80       |
| 39184504 | 21         | 24       |
| 39185004 | 12         | 56       |
| 39190204 | 4          | 40       |
| 39190204 | 8          | 92       |
| 39190701 | 5          | 104      |
| 39190701 | 8          | 100      |
| 39194304 | 21         | 74       |
| 39194404 | 10         | 44       |
| 39194404 | 11         | 106      |
| 39195604 | 4          | 106      |
| 39196704 | 10         | 48       |
| 39197015 | 5          | 38       |
| 39197215 | 6          | 104      |
| 39197215 | 16         | 104      |
| 39201719 | 5          | 6        |
| 39203804 | 10         | 64       |
| 39206004 | 12         | 60       |

| Part No. | Figure No. | Page No. |
|----------|------------|----------|
| 39214124 | 5          | 100      |
| 39215220 | 5          | 14       |
| 39215704 | 7          | 48       |
| 39215811 | 2          | 16       |
| 39215911 | 13         | 16       |
| 39216011 | 9          | 16       |
| 39216511 | 3          | 12       |
| 39218006 | 8          | 22       |
| 39218106 | 2          | 10       |
| 39218304 | 2          | 12       |
| 39218520 | 9          | 24       |
| 39218919 | 10         | 24       |
| 39219019 | 11         | 24       |
| 39219421 | 6          | 42       |
| 39220011 | 17         | 30       |
| 39220207 | 7          | 26       |
| 39220307 | 8          | 12       |
| 39220804 | 11         | 28       |
| 39220804 | 20         | 26       |
| 39220804 | 24         | 74       |
| 39224020 | 20         | 70       |
| 39224120 | 4          | 70       |
| 39227611 | 17         | 32       |
| 39230504 | 23         | 24       |
| 39231004 | 2          | 54       |
| 39231004 | 8          | 110      |
| 39231004 | 13         | 48       |
| 39231104 | 14         | 48       |
| 39234411 | 10         | 32       |
| 39236220 | 2          | 64       |
| 39238104 | 3          | 90       |
| 39241204 | 8          | 48       |
| 39241404 | 11         | 48       |
| 39242411 | 4          | 92       |
| 39242704 | 16         | 74       |
| 39242704 | 16         | 76       |
| 39244011 | 9          | 6        |
| 39244311 | 18         | 26       |
| 39244811 | 20         | 24       |
| 39245304 | 6          | 20       |

| Part No. | Figure No. | Page No. |
|----------|------------|----------|
| 39245711 | 15         | 48       |
| 39253105 | 2          | 24       |
| 39253105 | 3          | 22       |
| 39253204 | 8          | 2        |
| 39254220 | 3          | 8        |
| 39255717 | 7          | 14       |
| 39256120 | 6          | 12       |
| 39256611 | 15         | 70       |
| 39256711 | 12         | 70       |
| 39258320 | 6          | 22       |
| 39258320 | 8          | 24       |
| 39259201 | 4          | 104      |
| 39260120 | 9          | 22       |
| 39260220 | 7          | 22       |
| 39260320 | 7          | 24       |
| 39260607 | 7          | 18       |
| 39260801 | 11         | 4        |
| 39261720 | 4          | 8        |
| 39261720 | 11         | 30       |
| 39263904 | 6          | 18       |
| 39264715 | 6          | 2        |
| 39268620 | 1          | 70       |
| 39274304 | 3          | 74       |
| 39275821 | 10         | 90       |
| 39288415 | 11         | 90       |
| 59020001 | 11         | 92       |
| 59100002 | 1          | 44       |
| 59100002 | 17         | 46       |
| 59110002 | 9          | 6        |
| 59150003 | 8          | 64       |
| 59200007 | 9          | 46       |
| 59200028 | 12         | 14       |
| 59210019 | 4          | 96       |
| 60111415 | 23         | 106      |
| 36DH1006 | 10         | 28       |
| 36DH1007 | 13         | 28       |
| 36DH1008 | 3          | 32       |
| 36DH1203 | 8          | 34       |
| 36DH1601 | 1          | 92       |
| 36DH1902 | 15         | 66       |

| Part No. | Figure No. | Page No. |
|----------|------------|----------|
| 36DH4009 | 9          | 12       |
| 36DH4010 | 2          | 36       |
| 36DH4011 | 3          | 38       |
| 36DH4012 | 9          | 70       |
| 36DH4013 | 17         | 70       |
| 36DH4014 | 6          | 72       |
| 36DH4015 | 7          | 72       |
| 36DH4017 | 3          | 110      |
| 36DH4018 | 5          | 110      |
| 36DH4019 | 13         | 12       |
| 36DH4020 | 11         | 100      |
| 36DH4022 | 15         | 56       |
| 36DH4030 | 5          | 8        |
| 36DH4031 | 1          | 26       |
| 36DH4034 | 15         | 84       |
| 36DH4035 | 13         | 84       |
| 36DH4037 | 15         | 84       |
| 36DH4038 | 13         | 84       |
| 36DH4042 | 9          | 84       |
| 36DH4043 | 9          | 84       |
| 36DH4044 | 1          | 26       |
| 36DH4047 |            | 102      |
| 36DH4048 | 1          | 66       |
| 36DH4050 | 1          | 2        |
| 36DH4050 | 1          | 4        |
| 36DH4062 | 10         | 88       |
| 36DH4063 | 10         | 88       |
| 36DH4064 | 10         | 88       |
| 36DH4065 | 12         | 88       |
| 36DH4066 | 12         | 88       |
| 36DH4067 | 12         | 88       |
| 36DH4068 | 13         | 88       |
| 36DH4069 | 9          | 86       |
| 36DH4070 | 11         | 88       |
| 36DJ4008 | 4          | 10       |
| 36DJ4031 | 1          | 66       |
| 36DJ4032 | 9          | 68       |
| 36DJ4033 | 10         | 68       |
| 36DJ4037 | 13         | 88       |
| 36DJ4039 | 13         | 88       |

| Part No. | Figure No. | Page No. |
|----------|------------|----------|
| 36DJ4043 | 11         | 88       |
| 36DJ4045 | 11         | 88       |
| 36DJ4046 | 9          | 86       |
| 36DJ4048 | 9          | 86       |
| 36DK0005 | 6          | 6        |
| 36DK0009 | 6          | 38       |
| 36DK0011 | 4          | 48       |
| 36DK0012 | 3          | 52       |
| 36DK0013 | 6          | 56       |
| 36DK0013 | 9          | 54       |
| 36DK0015 | 5          | 36       |
| 36DK0016 | 3          | 72       |
| 36DK0020 | 2          | 80       |
| 36Dk0037 | 11         | 74       |
| 36DK0039 | 5          | 8        |
| 36DK0065 | 9          | 68       |
| 36DK0066 | 10         | 68       |
| 36DK0084 | 14         | 84       |
| 36DK0088 | 14         | 84       |
| 36DK0105 | 14         | 88       |
| 36DK0106 | 14         | 88       |
| 36DS1001 | 3          | 2        |
| 36DS1001 | 12         | 4        |
| 36DS1002 | 7          | 6        |
| 36DS1802 | 5          | 50       |
| 36DS4027 |            | 50       |
| 36JC0008 | 11         | 84       |
| 36JC0009 | 11         | 84       |
| 36JC0010 | 11         | 84       |
| 36JC0011 | 11         | 84       |
| 52DH0153 | 13         | 46       |
| 52DH0177 | 10         | 14       |
| 52DH0528 | 2          | 82       |
| 52DH0529 | 3          | 82       |
| 52DH0530 | 2          | 82       |
| 52DH0531 | 3          | 82       |
| 52DH0532 | 2          | 82       |
| 52DH0533 | 3          | 82       |
| 52DH0534 | 2          | 82       |
| 52DH0535 | 3          | 82       |

| Part No. | Figure No. | Page No. |
|----------|------------|----------|
| 52DH0541 | 7          | 84       |
| 52DH0542 | 8          | 84       |
| 52DH0543 | 7          | 84       |
| 52DH0544 | 8          | 84       |
| 52DH0545 | 7          | 84       |
| 52DH0546 | 8          | 84       |
| 52DH0547 | 7          | 84       |
| 52DH0548 | 8          | 84       |
| 52DH0624 | 1          | 28       |
| 52DH0682 | 6          | 84       |
| 52DH0683 | 6          | 84       |
| 52DH0686 | 1          | 28       |
| 52DH0695 | 9          | 28       |
| 52DH0767 |            | 110      |
| 52DH0810 | 2          | 86       |
| 52DH0811 | 3          | 86       |
| 52DH0812 | 4          | 86       |
| 52DH0813 | 3          | 86       |
| 52DH0814 | 4          | 86       |
| 52DH0815 | 3          | 86       |
| 52DH0816 | 4          | 86       |
| 52DH0820 | 6          | 86       |
| 52DH0821 | 5          | 86       |
| 52DH0822 | 6          | 86       |
| 52DH0823 | 6          | 86       |
| 52DH0824 | 7          | 86       |
| 52DH0843 | 1          | 86       |
| 52DJ0166 | 1          | 98       |
| 52DJ0196 | 1          | 26       |
| 52DJ0517 | 2          | 86       |
| 52DJ0519 | 2          | 86       |
| 52DJ0520 | 5          | 86       |
| 52DJ0522 | 5          | 86       |
| 52DJ0533 | 7          | 86       |
| 52DJ0537 | 7          | 86       |
| 52DJ0545 | 1          | 86       |
| 52DJ0546 | 1          | 86       |
| 52JN0135 | 2          | 2        |
| 56DH456E | 8          | 86       |
| 56DK4527 | 8          | 86       |

| Part No. | Figure No. | Page No. |
|----------|------------|----------|
| 56DK455N | 8          | 86       |
| AA121045 | 4          | 36       |
| AL201012 | 15         | 106      |
| BA122003 | 13         | 90       |
| CS101128 | 1          | 8        |
| DD101062 | 15         | 8        |
| DD101097 | 2          | 32       |
| DD111012 | 15         | 44       |
| DD121007 | 10         | 10       |
| DD141227 | 7          | 90       |
| DD161071 | 14         | 56       |
| DD191015 | 11         | 50       |
| DD191085 | 9          | 74       |
| DD191147 | 11         | 76       |
| DD201024 | 18         | 44       |
| DD201160 | 15         | 100      |
| DE151006 | 3          | 64       |
| DE151008 | 6          | 64       |
| DE151012 | 5          | 64       |
| DE151015 | 11         | 66       |
| DE151037 | 6          | 68       |
| DE151043 | 7          | 68       |
| DE151046 | 4          | 68       |
| DE151047 | 5          | 68       |
| DE191010 | 5          | 66       |
| DE191011 | 4          | 66       |
| DF161102 | 9          | 60       |
| DF181098 | 4          | 100      |
| DG101029 | 4          | 6        |
| DG101418 | 8          | 26       |
| DG111008 | 8          | 44       |
| DG141028 | 15         | 90       |
| DG151089 | 1          | 68       |
| DG161124 | 7          | 38       |
| DG171038 | 2          | 52       |
| DG181008 | 3          | 58       |
| DG181008 | 4          | 76       |
| DG181008 | 22         | 80       |
| DH101006 | 5          | 22       |
| DH101016 | 1          | 10       |

| Part No. | Figure No. | Page No. |
|----------|------------|----------|
| DH101018 | 12         | 26       |
| DH101048 | 8          | 8        |
| DH101050 | 10         | 8        |
| DH101064 | 10         | 12       |
| DH101065 | 12         | 12       |
| DH101072 | 2          | 14       |
| DH101078 | 3          | 16       |
| DH101079 | 4          | 16       |
| DH101080 | 6          | 16       |
| DH101082 | 7          | 16       |
| DH101084 | 8          | 16       |
| DH101108 | 12         | 16       |
| DH101110 | 14         | 16       |
| DH101111 | 15         | 16       |
| DH101113 | 17         | 16       |
| DH101117 | 22         | 16       |
| DH101121 | 8          | 32       |
| DH101125 | 13         | 32       |
| DH101141 | 5          | 26       |
| DH101142 | 6          | 26       |
| DH101143 | 2          | 20       |
| DH101144 | 3          | 20       |
| DH101146 | 3          | 18       |
| DH101154 | 13         | 26       |
| DH101157 | 2          | 28       |
| DH101157 | 7          | 28       |
| DH101163 | 16         | 46       |
| DH101169 | 25         | 24       |
| DH101172 | 7          | 46       |
| DH101180 | 16         | 30       |
| DH101195 | 11         | 12       |
| DH101197 | 2          | 26       |
| DH101199 | 6          | 44       |
| DH101203 | 12         | 24       |
| DH101235 | 5          | 16       |
| DH101246 | 13         | 24       |
| DH101272 | 10         | 2        |
| DH101275 | 6          | 30       |
| DH101295 | 8          | 6        |
| DH101319 | 18         | 16       |

| Part No. | Figure No. | Page No. |
|----------|------------|----------|
| DH101321 | 14         | 32       |
| DH101323 | 12         | 28       |
| DH101333 | 19         | 16       |
| DH101334 | 20         | 16       |
| DH101336 | 11         | 16       |
| DH101353 | 7          | 32       |
| DH101380 | 7          | 44       |
| DH101381 | 5          | 44       |
| DH101382 | 10         | 46       |
| DH101385 | 5          | 46       |
| DH101385 | 16         | 32       |
| DH101386 | 4          | 44       |
| DH101387 | 9          | 8        |
| DH101389 | 14         | 46       |
| DH101392 | 12         | 8        |
| DH101393 | 7          | 20       |
| DH101394 | 10         | 20       |
| DH101397 | 4          | 20       |
| DH101412 | 7          | 8        |
| DH101414 | 7          | 10       |
| DH101416 | 10         | 16       |
| DH101422 | 24         | 24       |
| DH101423 | 5          | 24       |
| DH101424 | 6          | 14       |
| DH101432 | 4          | 14       |
| DH101468 | 2          | 38       |
| DH101482 | 23         | 26       |
| DH101485 | 13         | 30       |
| DH101487 | 10         | 22       |
| DH101493 | 4          | 18       |
| DH101496 | 9          | 18       |
| DH101502 | 9          | 20       |
| DH101503 | 8          | 20       |
| DH101508 | 4          | 4        |
| DH101509 | 5          | 20       |
| DH101510 | 19         | 26       |
| DH101521 | 8          | 38       |
| DH101531 | 5          | 32       |
| DH101536 | 11         | 32       |
| DH101537 | 4          | 32       |

| Part No. | Figure No. | Page No. |
|----------|------------|----------|
| DH101538 | 15         | 32       |
| DH101539 | 19         | 32       |
| DH101540 | 6          | 32       |
| DH101544 | 17         | 26       |
| DH101545 | 1          | 32       |
| DH101607 | 9          | 38       |
| DH101647 | 12         | 32       |
| DH101648 | 15         | 30       |
| DH101654 | 3          | 24       |
| DH101661 | 15         | 24       |
| DH101665 | 3          | 10       |
| DH101671 | 5          | 10       |
| DH101672 | 1          | 12       |
| DH101680 | 3          | 4        |
| DH101681 | 1          | 14       |
| DH101703 | 2          | 8        |
| DH101705 | 1          | 20       |
| DH101759 | 10         | 38       |
| DH101784 | 18         | 24       |
| DH101795 | 11         | 30       |
| DH101853 | 1          | 30       |
| DH101860 | 3          | 30       |
| DH101861 | 8          | 30       |
| DH101862 | 4          | 30       |
| DH101863 | 1          | 2        |
| DH101863 | 1          | 4        |
| DH101864 | 6          | 10       |
| DH101869 | 1          | 22       |
| DH101877 | 2          | 30       |
| DH101898 | 5          | 4        |
| DH101903 | 2          | 8        |
| DH101919 | 1          | 22       |
| DH101926 | 1          | 38       |
| DH102104 | 1          | 14       |
| DH111012 | 10         | 4        |
| DH111013 | 16         | 44       |
| DH111015 | 14         | 44       |
| DH111016 | 17         | 44       |
| DH111072 | 9          | 44       |
| DH111077 | 12         | 44       |

| Part No. | Figure No. | Page No. |
|----------|------------|----------|
| DH111078 | 13         | 44       |
| DH111081 | 2          | 44       |
| DH111083 | 3          | 44       |
| DH111084 | 11         | 46       |
| DH121001 | 1          | 42       |
| DH121010 | 3          | 42       |
| DH121011 | 15         | 26       |
| DH121012 | 16         | 26       |
| DH121035 | 5          | 42       |
| DH121038 | 8          | 4        |
| DH121093 | 12         | 34       |
| DH121101 | 9          | 34       |
| DH121106 | 7          | 4        |
| DH121132 | 3          | 36       |
| DH121135 | 1          | 36       |
| DH121138 | 1          | 34       |
| DH121141 | 4          | 34       |
| DH121148 | 2          | 34       |
| DH121149 | 3          | 34       |
| DH121150 | 13         | 34       |
| DH121153 | 5          | 4        |
| DH121154 | 1          | 34       |
| DH121161 | 6          | 34       |
| DH121162 | 7          | 34       |
| DH121166 | 8          | 34       |
| DH121168 | 3          | 34       |
| DH121171 | 2          | 34       |
| DH121173 | 4          | 34       |
| DH121177 | 15         | 34       |
| DH121178 | 1          | 36       |
| DH122056 | 1          | 22       |
| DH141020 | 17         | 90       |
| DH141023 | 6          | 92       |
| DH141024 | 14         | 90       |
| DH141031 | 2          | 92       |
| DH141048 | 5          | 90       |
| DH141050 | 1          | 90       |
| DH151029 | 10         | 72       |
| DH161053 | 4          | 54       |
| DH161056 | 8          | 54       |

| Part No. | Figure No. | Page No. |
|----------|------------|----------|
| DH161066 | 7          | 60       |
| DH161112 | 2          | 50       |
| DH161121 | 4          | 60       |
| DH161126 | 16         | 106      |
| DH161145 | 5          | 60       |
| DH161146 | 8          | 60       |
| DH161155 | 11         | 56       |
| DH161157 | 10         | 56       |
| DH161170 | 1          | 48       |
| DH161194 | 5          | 54       |
| DH161258 | 2          | 58       |
| DH161268 | 2          | 48       |
| DH161269 | 3          | 48       |
| DH161273 | 9          | 48       |
| DH161280 | 7          | 98       |
| DH161283 | 5          | 98       |
| DH161284 | 2          | 98       |
| DH161292 | 14         | 104      |
| DH161293 | 2          | 104      |
| DH161301 | 12         | 48       |
| DH161302 | 14         | 60       |
| DH161321 | 1          | 50       |
| DH161366 | 20         | 106      |
| DH161367 | 21         | 106      |
| DH161368 | 10         | 106      |
| DH161371 | 9          | 84       |
| DH161386 | 1          | 50       |
| DH161404 | 1          | 56       |
| DH161405 | 2          | 56       |
| DH161410 |            | 110      |
| DH161416 | 9          | 36       |
| DH161421 | 26         | 106      |
| DH171012 | 9          | 52       |
| DH171013 | 6          | 52       |
| DH171014 | 5          | 52       |
| DH171015 | 7          | 52       |
| DH171019 | 8          | 52       |
| DH171019 | 13         | 70       |
| DH171023 | 1          | 52       |
| DH181009 | 14         | 80       |

| Part No. | Figure No. | Page No. |
|----------|------------|----------|
| DH181014 | 4          | 50       |
| DH181015 | 15         | 80       |
| DH181025 | 26         | 80       |
| DH181052 | 10         | 100      |
| DH181053 | 2          | 74       |
| DH181055 | 1          | 74       |
| DH181056 | 21         | 80       |
| DH181060 | 1          | 80       |
| DH181063 | 4          | 80       |
| DH181064 | 5          | 80       |
| DH181066 | 25         | 80       |
| DH181069 | 25         | 74       |
| DH181069 | 25         | 78       |
| DH181083 | 18         | 80       |
| DH181086 | 1          | 80       |
| DH181087 | 9          | 80       |
| DH181091 | 1          | 76       |
| DH181091 | 21         | 80       |
| DH181092 | 25         | 80       |
| DH181094 | 3          | 76       |
| DH181096 | 2          | 76       |
| DH181099 | 28         | 78       |
| DH181100 | 1          | 80       |
| DH181101 | 5          | 80       |
| DH181103 | 2          | 76       |
| DH181104 | 3          | 76       |
| DH181105 | 1          | 76       |
| DH181107 | 3          | 76       |
| DH181109 | 2          | 76       |
| DH191001 | 1          | 72       |
| DH191006 | 4          | 72       |
| DH191007 | 12         | 74       |
| DH191007 | 12         | 76       |
| DH191008 | 13         | 74       |
| DH191008 | 13         | 76       |
| DH191012 | 7          | 106      |
| DH191017 | 24         | 78       |
| DH191019 | 14         | 74       |
| DH191019 | 14         | 76       |
| DH191056 | 1          | 94       |

| Part No. | Figure No. | Page No. |
|----------|------------|----------|
| DH191065 | 1          | 94       |
| DH201019 | 8          | 106      |
| DH201062 | 9          | 90       |
| DH201076 | 1          | 106      |
| DH201077 | 2          | 106      |
| DH201079 | 6          | 96       |
| DH201080 | 2          | 96       |
| DH201081 | 5          | 96       |
| DH201085 | 5          | 106      |
| DH201086 | 5          | 106      |
| DH211005 | 2          | 108      |
| DH71032V | 1          | 82       |
| DH71034K | 1          | 82       |
| DH71034L | 1          | 82       |
| DH71034M | 1          | 82       |
| DH73032V | 4          | 82       |
| DH73034K | 4          | 82       |
| DH73034L | 4          | 82       |
| DH73034M | 4          | 82       |
| DH74012V | 6          | 82       |
| DH74014K | 6          | 82       |
| DH74014L | 6          | 82       |
| DH74014M | 6          | 82       |
| DJ101063 | 23         | 16       |
| DJ101064 | 4          | 38       |
| DJ101110 | 16         | 16       |
| DJ101137 | 11         | 8        |
| DJ101213 | 2          | 22       |
| DJ101217 | 2          | 2        |
| DJ101268 | 9          | 28       |
| DJ101271 | 1          | 28       |
| DJ101336 | 1          | 38       |
| DJ101344 | 1          | 24       |
| DJ121022 | 7          | 4        |
| DJ121039 | 3          | 36       |
| DJ121040 | 1          | 36       |
| DJ121049 | 14         | 34       |
| DJ121053 | 5          | 34       |
| DJ121054 | 6          | 34       |
| DJ121055 | 7          | 34       |

| Part No. | Figure No. | Page No. |
|----------|------------|----------|
| DJ121070 | 10         | 34       |
| DJ141006 | 12         | 90       |
| DJ141008 | 7          | 92       |
| DJ141008 | 10         | 50       |
| DJ141061 | 12         | 84       |
| DJ151014 | 7          | 64       |
| DJ151032 | 10         | 70       |
| DJ151033 | 23         | 70       |
| DJ151034 | 11         | 70       |
| DJ151035 | 16         | 70       |
| DJ151036 | 13         | 52       |
| DJ151037 | 14         | 52       |
| DJ151041 | 13         | 64       |
| DJ151042 | 9          | 72       |
| DJ151047 | 15         | 52       |
| DJ151053 | 25         | 70       |
| DJ151068 | 3          | 68       |
| DJ151069 | 4          | 68       |
| DJ151070 | 5          | 68       |
| DJ151071 | 6          | 68       |
| DJ151072 | 7          | 68       |
| DJ151073 | 8          | 68       |
| DJ151074 | 9          | 68       |
| DJ151075 | 10         | 68       |
| DJ151076 | 2          | 66       |
| DJ151077 | 1          | 62       |
| DJ151087 | 4          | 62       |
| DJ151092 | 8          | 70       |
| DJ161012 | 14         | 28       |
| DJ161069 | 1          | 58       |
| DJ161072 | 9          | 104      |
| DJ161079 | 6          | 110      |
| DJ161080 | 7          | 110      |
| DJ161088 | 16         | 48       |
| DJ161089 | 17         | 48       |
| DJ161091 | 6          | 58       |
| DJ161114 | 5          | 48       |
| DJ161115 | 6          | 48       |
| DJ161122 | 5          | 56       |
| DJ161128 | 3          | 56       |

| Part No. | Figure No. | Page No. |
|----------|------------|----------|
| DJ161129 | 4          | 56       |
| DJ161130 | 1          | 54       |
| DJ161131 | 3          | 54       |
| DJ161132 | 8          | 50       |
| DJ161133 | 9          | 50       |
| DJ161214 | 1          | 60       |
| DJ161218 | 6          | 60       |
| DJ161221 | 10         | 58       |
| DJ161226 | 1          | 110      |
| DJ161227 | 4          | 98       |
| DJ161229 | 12         | 100      |
| DJ161254 | 9          | 58       |
| DJ161255 | 5          | 58       |
| DJ161256 | 1          | 56       |
| DJ161257 | 2          | 56       |
| DJ161263 | 4          | 110      |
| DJ161272 | 11         | 58       |
| DJ171008 | 10         | 52       |
| DJ171032 | 4          | 52       |
| DJ181011 | 15         | 74       |
| DJ181011 | 15         | 76       |
| DJ181033 | 3          | 100      |
| DJ181037 | 7          | 100      |
| DJ181039 | 17         | 74       |
| DJ181041 | 27         | 80       |
| DJ181052 | 24         | 80       |
| DJ181069 | 9          | 100      |
| DJ181085 | 23         | 80       |
| DJ181087 | 3          | 80       |
| DJ181103 | 9          | 80       |
| DJ181104 | 13         | 80       |
| DJ181115 | 6          | 50       |
| DJ181119 | 4          | 94       |
| DJ181120 | 2          | 100      |
| DJ191006 | 3          | 66       |
| DJ191009 | 6          | 74       |
| DJ191010 | 5          | 72       |
| DJ191015 | 3          | 96       |
| DJ191021 | 2          | 72       |
| DJ191023 | 1          | 66       |

| Part No. | Figure No. | Page No. |
|----------|------------|----------|
| DJ191027 | 6          | 66       |
| DJ191028 | 7          | 66       |
| DJ191029 | 8          | 66       |
| DJ191030 | 9          | 66       |
| DJ191031 | 10         | 66       |
| DJ191032 | 11         | 66       |
| DJ191034 | 13         | 66       |
| DJ191035 | 14         | 66       |
| DJ191054 | 7          | 74       |
| DJ191054 | 7          | 76       |
| DJ191055 | 8          | 74       |
| DJ191055 | 8          | 76       |
| DJ191061 | 1          | 96       |
| DJ191082 | 8          | 76       |
| DJ191083 | 8          | 76       |
| DJ201020 | 19         | 106      |
| DJ201021 | 19         | 24       |
| DJ201028 |            | 106      |
| DJ201049 |            | 102      |
| DJ201050 | 7          | 102      |
| DJ201072 | 16         | 100      |
| DJ201100 | 12         | 66       |
| DJ201106 | 13         | 60       |
| DJ201137 | 3          | 94       |
| DJ201140 | 14         | 106      |
| DJ201159 | 5          | 94       |
| DJ201174 | 6          | 94       |
| DJ201176 | 1          | 100      |
| DJ201181 | 8          | 102      |
| DJ201195 | 21         | 78       |
| DJ201195 | 22         | 74       |
| DJ201202 | 11         | 44       |
| DJ201206 | 3          | 102      |
| DJ201207 | 4          | 102      |
| DJ201208 | 1          | 102      |
| DJ201209 | 2          | 102      |
| DJ201211 | 23         | 74       |
| DJ201218 | 2          | 96       |
| DJ201230 | 17         | 100      |
| DJ201246 | 21         | 78       |

| Part No. | Figure No. | Page No. |
|----------|------------|----------|
| DJ211003 | 1          | 40       |
| DJ211006 | 3          | 40       |
| DJ221003 | 18         | 74       |
| DJ221003 | 29         | 78       |
| DJ221004 | 19         | 74       |
| DJ221004 | 30         | 78       |
| DJ221006 | 1          | 108      |
| DJ221016 | 2          | 110      |
| DJ71075F | 1          | 82       |
| DJ71075G | 1          | 82       |
| DJ72012V | 1          | 82       |
| DJ72014K | 1          | 82       |
| DJ72014L | 1          | 82       |
| DJ72014M | 1          | 82       |
| DJ73022V | 5          | 82       |
| DJ73024K | 5          | 82       |
| DJ73024L | 5          | 82       |
| DJ73024M | 5          | 82       |
| DK101126 | 14         | 30       |
| DK101135 | 10         | 18       |
| DK101159 | 1          | 18       |
| DK101160 | 2          | 18       |
| DK101176 | 6          | 46       |
| DK101326 | 6          | 6        |
| DK101361 | 8          | 18       |
| DK101380 | 17         | 24       |
| DK101382 | 5          | 18       |
| DK101471 | 1          | 16       |
| DK101480 | 14         | 26       |
| DK101565 | 7          | 30       |
| DK101569 | 5          | 30       |
| DK101570 | 18         | 30       |
| DK101571 | 19         | 30       |
| DK101573 | 12         | 30       |
| Dk101574 | 10         | 30       |
| DK101592 | 8          | 10       |
| DK101595 | 1          | 46       |
| DK101596 | 15         | 46       |
| DK101605 | 2          | 46       |
| DK101605 | 4          | 46       |

| Part No. | Figure No. | Page No. |
|----------|------------|----------|
| DK101614 | 2          | 8        |
| DK101636 | 16         | 30       |
| DK101722 | 3          | 20       |
| DK101725 | 8          | 20       |
| DK101732 | 5          | 18       |
| DK101733 | 1          | 20       |
| DK101738 | 21         | 26       |
| DK101748 | 1          | 6        |
| DK101751 | 2          | 6        |
| DK101755 | 3          | 6        |
| DK101770 | 13         | 46       |
| DK121008 | 7          | 36       |
| DK121015 | 6          | 36       |
| DK141001 | 4          | 90       |
| DK151054 | 1          | 68       |
| DK151094 | 3          | 70       |
| DK161123 | 9          | 92       |
| DK161124 | 10         | 92       |
| DK161153 | 3          | 104      |
| DK161209 | 7          | 94       |
| DK181031 | 20         | 78       |
| DK181046 | 22         | 78       |
| DK181047 | 23         | 78       |
| DK181058 | 26         | 78       |
| DK181082 | 22         | 78       |
| DK181086 | 23         | 78       |
| DK201003 | 1          | 104      |
| DK201065 | 9          | 90       |
| DK201078 | 12         | 106      |
| DK211007 | 2          | 40       |
| DL181010 | 6          | 100      |
| DL191014 | 9          | 76       |
| DM181010 | 19         | 80       |
| DP161144 | 13         | 104      |
| DP161145 | 10         | 104      |
| DS101084 | 7          | 2        |
| DS101096 | 5          | 2        |
| DS101154 | 5          | 12       |
| DS101166 | 4          | 2        |
| DS101201 | 22         | 26       |

| Part No. | Figure No. | Page No. |
|----------|------------|----------|
| DS101215 | 9          | 26       |
| DS101252 | 21         | 26       |
| DS101275 | 7          | 12       |
| DS101276 | 6          | 8        |
| DS101333 | 3          | 6        |
| DS101335 | 1          | 6        |
| DS101336 | 2          | 6        |
| DS101353 | 5          | 28       |
| DS101353 | 10         | 26       |
| DS101353 | 12         | 46       |
| DS101353 | 15         | 28       |
| DS101366 | 8          | 6        |
| DS121117 | 8          | 36       |
| DS151029 | 6          | 62       |
| DS151031 | 5          | 62       |
| DS151048 | 2          | 62       |
| DS151049 | 3          | 62       |
| DS151058 | 12         | 64       |
| DS151068 | 21         | 70       |
| DS151073 | 22         | 70       |
| DS151074 | 18         | 70       |
| DS161125 | 4          | 58       |
| DS181071 | 10         | 80       |
| DS181077 | 8          | 80       |
| DS181085 | 18         | 80       |
| DS191052 | 17         | 76       |
| DS201025 | 25         | 106      |
| DV101042 | 4          | 28       |
| DX161047 | 6          | 98       |
| GH201012 | 5          | 102      |
| JB401402 | 18         | 78       |
| JB401402 | 20         | 74       |
| JC101034 | 13         | 8        |
| JC101035 | 10         | 8        |
| JC101114 | 3          | 46       |
| JC101115 | 8          | 46       |
| JC141015 | 15         | 92       |
| JC141016 | 17         | 92       |
| JC141017 | 16         | 92       |
| JC141050 | 10         | 84       |

| Part No. | Figure No. | Page No. |
|----------|------------|----------|
| JC141051 | 10         | 84       |
| JC201016 | 13         | 106      |
| JC201017 | 4          | 74       |
| JC201017 | 5          | 76       |
| JC201018 | 5          | 74       |
| JC201018 | 6          | 76       |
| JC201039 | 11         | 60       |
| JC201046 | 14         | 64       |
| JD171018 | 14         | 92       |
| JD401806 | 22         | 106      |
| JE541212 | 12         | 28       |
| JF401400 | 5          | 76       |
| JF401401 | 6          | 76       |
| JF401801 | 9          | 106      |
| JN131603 | 11         | 64       |
| JN131807 | 7          | 64       |
| JW131807 | 6          | 68       |
| JW171007 | 13         | 92       |
| JW401011 | 8          | 104      |
| JZ401013 | 24         | 106      |
| LAC00020 | 26         | 78       |
| LAD00040 | 27         | 106      |

| Part No. | Figure No. | Page No. |
|----------|------------|----------|
|----------|------------|----------|